

916

Portable Roll Groover

OPERATOR'S MANUAL

- Français – p. 17
- Castellano – pág. 35



⚠ WARNING!

Read this Operator's Manual carefully before using this tool. Failure to understand and follow the contents of this manual may result in electrical shock, fire and/or serious personal injury.

RIDGID

Table of Contents

General Safety Information

Work Area Safety2
 Electrical Safety2
 Personal Safety2
 Tool Use and Care3
 Service3

Specific Safety Information

Foot Switch Safety3
 Roll Groover Safety3

Description, Specifications, Standard Equipment

Description4
 Specifications4
 Standard Equipment4
 916 Roll Groover Models4

Roll Groover Assembly Instructions

Installing 916 Roll Groover on 300 Power Drive4
 Installing Drive Bar Adapter For 1822-I, 535 or 300 Compact Threading Machines5
 Installing 916 Roll Groover on 535A, 535M, 1822-I or 300 Compact Threading Machines Mounted on 100, 150 or 200 Stands5
 Installing 916 Roll Groover on 1822-I Threading Machine Mounted on 1406 Stand5
 Installing 916 Roll Groover on 300 Compact Threading Machine with 250 Stand6

Machine Inspection

Machine and Work Area Set-Up7

Operating the 916 Roll Groover

Pipe Preparation8
 Pipe/Tubing Length8
 Pipe Set-Up8
 Adjusting Roll Groove Depth9
 Forming the Roll Groove10
 Roll Grooving Tips with 91610
 Grooving Short Lengths of Pipe11

Removing and Installing

Removing and Installing Groove Roll11
 Removing and Installing Drive Roll12

Roll Grooving Copper with No. 916

Tube Preparation12
 Forming Roll Groove12

Roll Grooving Smaller Diameter Steel Pipe

.....12

Accessories

.....12

Maintenance Instructions

Lubrication13
 Machine Storage13

Service and Repair

.....13

Table I Standard Roll Groove Specification

.....14

Table II Pipe Maximum and Minimum Wall Thickness

.....14

Table III Troubleshooting

.....15

Table IV Copper Roll Groove Specifications

.....16

Lifetime Warranty Back Cover



916 Roll Groover

**For Models No. 300PD, 300 Compact, 535 or
1822-I Threading Machine**



General Safety Information

WARNING! Read and understand all instructions. Failure to follow all instructions listed below may result in electric shock, fire, and/or serious personal injury.

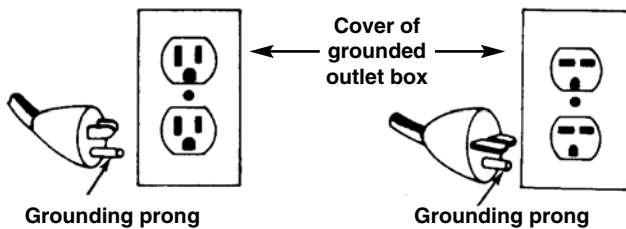
SAVE THESE INSTRUCTIONS!

Work Area Safety

- **Keep your work area clean and well lit.** Cluttered benches and dark areas invite accidents.
- **Do not operate power tools in explosive atmospheres, such as in the presence of flammable liquids, gases, or dust.** Electric motors create sparks which may ignite the dust or fumes.
- **Keep by-standers, children, and visitors away while operating a tool.** Distractions can cause you to lose control.
- **Keep floors dry and free of slippery materials such as oil.** Slippery floors invite accidents.

Electrical Safety

- **Grounded tools must be plugged into an outlet, properly installed and grounded in accordance with all codes and ordinances. Never remove the grounding prong or modify the plug in any way. Do not use any adapter plugs. Check with a qualified electrician if you are in doubt as to whether the outlet is properly grounded.** If the tools should electrically malfunction or break down, grounding provides a low resistance path to carry electricity away from the user.



- **Avoid body contact with grounded surfaces.** There is an increased risk of electrical shock if your body is grounded.
- **Do not expose electrical tools to rain or wet conditions.** Water entering a tool will increase the risk of electrical shock.
- **Do not abuse cord. Never use the cord to pull the plug from an outlet. Keep cord away from heat, oil, sharp edges or moving parts. Replace damaged cords immediately.** Damaged cords increase the risk of electrical shock.

- **When operating a tool outside, use an outdoor extension cord marked “W-A” or “W”.** These cords are rated for outdoor use and reduce the risk of electrical shock.
- **Keep all extension cord connections dry and off the ground. Do not touch plugs with wet hands.** This practice reduces the risk of electrical shock.
- **Use only three-wire extension cords which have three-prong grounding plugs and three-pole receptacles which accept the tool’s plug.** Use of other extension cords will not ground the tool and increase the risk of electrical shock.
- **Use proper extension cords.** (See chart.) Insufficient conductor size will cause excessive voltage drop and loss of power .

Minimum Wire Gauge for Extension Cord			
Nameplate Amps	Total Length (in feet)		
	0 – 25	26 – 50	51 – 100
0 – 6	18 AWG	16 AWG	16 AWG
6 – 10	18 AWG	16 AWG	14 AWG
10 – 12	16 AWG	16 AWG	14 AWG
12 – 16	14 AWG	12 AWG	NOT RECOMMENDED

Personal Safety

- **Stay alert, watch what you are doing and use common sense when operating a tool. Do not use tools while tired or under the influence of drugs, alcohol, or medications.** A moment of inattention while operating power tools may result in serious personal injury.
- **Dress properly. Do not wear loose clothing or jewelry. Contain long hair. Keep your hair, clothing, and gloves away from moving parts.** Loose clothes, jewelry, or long hair can be caught in moving parts.
- **Avoid accidental starting. Be sure switch is OFF before plugging in.** Plugging in tools that have the switch ON invites accidents.
- **Remove wrenches or adjusting keys before turning the tool ON.** A wrench or a key that is left attached to a rotating part of the tool may result in personal injury.
- **Do not over-reach. Keep proper footing and balance at all times.** Proper footing and balance enables better control of the tool in unexpected situations.
- **Use safety equipment. Always wear eye protection.** Dust mask, non-skid safety shoes, hard hat, or hearing protection must be used for appropriate conditions.

Tool Use and Care

- **Do not use tool if switch does not turn it ON or OFF.** Any tool that cannot be controlled with the switch is dangerous and must be repaired.
- **Disconnect the plug from the power source before making any adjustments, changing accessories, or storing the tool.** Such preventive safety measures reduce the risk of starting the tool accidentally.
- **Store idle tools out of the reach of children and other untrained persons.** Tools are dangerous in the hands of untrained users.
- **Check for misalignment or binding of moving parts, breakage of parts, and any other condition that may affect the tools operation. If damaged, have the tool serviced before using.** Many accidents are caused by poorly maintained tools.
- **Use only accessories that are recommended by the manufacturer for your model.** Accessories that may be suitable for one tool may become hazardous when used on another tool.
- **Keep handles dry and clean; free from oil and grease.** Allows for better control of the tool.

Service

- **Tool service must be performed only by qualified repair personnel.** Service or maintenance performed by unqualified repair personnel could result in injury.
- **When servicing a tool, use only identical replacement parts. Follow instructions in the Maintenance Section of this manual.** Use of unauthorized parts or failure to follow maintenance instructions may create a risk of electrical shock or injury.

Specific Safety Information

▲ WARNING

Read this operator's manual carefully before using the Roll Groover. Failure to understand and follow the contents of this manual may result in electrical shock, fire and/or serious personal injury.

Call the Ridge Tool Company, Technical Service Department at (800) 519-3456 if you have any questions.

▲ WARNING Foot Switch Safety

Using a threading machine or power drive without a foot switch increases the risk of serious injury. A foot switch provides better control by letting you shut off the motor by removing your foot. If clothing should become caught in the machine, it will continue to wind up, pulling you into the machine.

Because the machine has high torque, the clothing itself can bind around your arm or other body parts with enough force to crush or break bones.

Roll Groover Safety

- **Roll Groovers are made to groove pipe and tubing. Follow instructions in Operator's Manual on machine uses.** Other uses may increase the risk of injury.
- **Keep hands away from grooving rolls. Do not wear loose fitting gloves when operating unit.** Fingers could get caught between grooving and drive rolls.
- **Never groove pipe shorter than what is recommended.** Increases risk of fingers being crushed by grooving rolls.
- **Set-up groover on a flat, level surface. Be sure the machine, stand and groover are stable.** Will prevent tipping of the unit.
- **Do not wear loose clothing. Keep sleeves and jackets buttoned. Do not reach across the machine or pipe.** Clothing can be caught by the pipe resulting in entanglement and serious injury.
- **Do not use this Roll Groover with a Power Drive or Threading Machine that does not have a foot switch.** Foot Switch is a safety device to prevent serious injury.
- **Be sure groover is properly secured to the power drive or threading machine.** Carefully follow the set-up procedures. Will prevent tipping of the pipe or grooving unit.
- **Properly support pipe with pipe stands. Use two pipe stands to groove pipe over 36" long.** Prevents tipping of the unit.
- **Use only power drives and threading machines that operate under 58 RPM.** Higher speed machines increase the risk of injury.
- **When grooving pipe, keep hands away from the end of the pipe. Do not reach inside pipe end.** Will prevent being cut on sharp edges and burrs.
- **Lock foot switch when not in use. (See Figure 1.)** Avoids accidental starting.

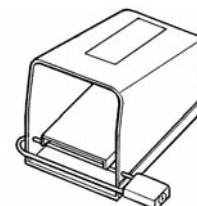


Figure 1 – Locked Foot Switch

Description, Specifications, Standard Equipment and Accessories

Description

The RIDGID Model No. 916 Roll Groover forms standard roll grooves in steel, stainless steel and aluminum pipe. The No. 916 is a portable lightweight roll groover designed for 1 1/4" - 6" Schedule 10 pipe (1 1/4" - 3" Schedule 40 pipe); also can be adapted for 1" Schedule 10, 1" Schedule 40, 2" - 6" copper types K, L, M, and DWV with a roll change. The grooves are formed by a grooving roll fed into a drive roll to the specifications required for mechanical coupling systems. The only adjustment needed is for the depth of the groove.

The No. 916 Roll Groover is designed for specific use with the RIDGID No. 300 Power Drive, 300 Compact, 535M, 535A and 1822-I Threading Machines. Different 916 models are required for every power source or mounting operation.

CAUTION When properly used, the Model 916 makes grooves that are dimensionally within the specifications of AWWA C606-87. Selection of appropriate materials and joining methods is the responsibility of the system designer and/or installer. Before any installation is attempted, careful evaluation of the specific service environment, including chemical environment and service temperature, should be completed.

Specifications

Roll Grooving Capacity

- 1 1/4" - 6" Schedule 10
- 1 1/4" - 3" Schedule 40

(See Table II for Wall Thickness)

- 2" - 6" Copper Types (K,L,M, DWV)
- 1" Schedule 10
- 1" Schedule 40

Depth AdjustmentAdjustment Screw

Actuation.....Integral Single Stroke Handle Mechanism

Power Drive

Mounting300 Power Drive, 1822 -I Threading Machine, 535M, 535A Threading Machines, 300 Compact Threading Machine

Weight.....33 lbs.

Standard Equipment

- Grooving Roll.....1 1/4"- 6" (1 1/4" - 3" Schedule 40, 6" Schedule 10)
- Driving Roll1 1/4" - 6" (1 1/4" - 3" Schedule 40, 6" Schedule 10)
- Feed Handle.....Tubular Design
- Drive Bar Adapter.....(When Required)

916 Roll Grooving Models

Catalog No.	Model No.	Description	Weight	
			lb.	kg.
45007	916	Roll Groover for 300 Power Drive	33	15,0
46852	916	Roll Groover for Copper Tubing for 300 P.D.	34	15,5
60382	916	Roll Groover for 535	33	15,0
48307	916	Roll Groover for 1822	33	15,0
48307	916	Roll Groover for 300 Compact Mounted on 100, 150 and 200 Stands	33	15,0
45007	916	Roll Groover for 300 Compact Mounted on 250 Stand (Also requires 67662 Adapter Bracket)	33	15,0
Accessories				
45347	—	Roll Set for 1" Schedule 10, 40 (Optional)	6	2,6
45352	—	Roll Set for Copper (Optional)	6	2,6
69667	—	Roll Set for 1 1/4" - 1 1/2" AWWA (Optional)	6	2,6
69692	—	Roll Set for 2" - 6" AWWA (Optional)	6	2,6
67662	—	Adapter Bracket for 300 Compact	30	13,6
76822	—	English Diameter Tape	0.3	0,1
76827	—	Metric Diameter Tape	0.3	0,1

Roll Groover Assembly Instructions

⚠ WARNING



The 916 Roll Groover should only be used with the following power drives and threading machines.

- **300 Power Drive (38 and 57 RPM)**
- **535 Threading Machine (38 and 54 RPM)**
- **1822 Threading Machine**
- **535 Automatic Threading Machine**
- **300 Compact Machine**

Use only power drives and threading machines that operate at 58 RPM or less. Higher speed machines increase risk of injury.

To prevent serious injury, proper assembly of the Roll Groover is required. The following procedures should be followed:

Installing on No. 300 Power Drive

1. Remove carriage or other attachments from the 300 Power Drive.
2. Fully open front chuck of power drive.

3. Position 916 on far side carriage rail and lower onto near side rail. (Figure 2)
4. Align the notched flats of drive shaft with the jaws on the No. 300 Power Drive chuck.
5. Tighten front chuck securely on drive shaft.



Figure 2 – Mounting on No. 300 Power Drive

Installing Drive Bar Adapter For 1822-I, 535 or 300 Compact Threading Machines

NOTE! Drive bar adapter must be installed on the 916 Roll Groover when using the 535A, 535M, 1822I or the 300 Compact Threading Machines as a power source.

Installing Drive Bar Adapter

1. Install drive bar adapter on roll groover drive shaft. Align set screws with flats on drive shaft and tighten screws.

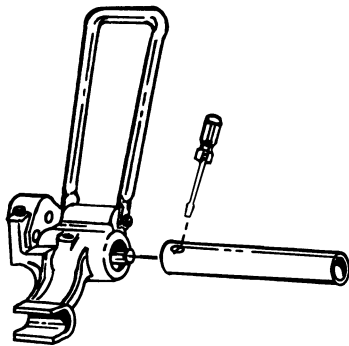


Figure 3 – Tighten Set Screws

Installing on 535A, 535M, 1822-I or 300 Compact Threading Machines Mounted on 100, 150 or 200 Stands

NOTE! 535 Threading Machines use the Model 916 Catalog No. 60382. Attached to the groover is a mounting plate that properly positions the unit on the rails of the 535.

1822I and the 300 Compact Threading Machines use the Model 916 Catalog No. 48307. The lower

roll housing is specifically designed for mounting of the rails of these machines.

1. Position carriage towards front chuck and swing carriage tools to the rear position.

CAUTION Position reamer inside the die head to prevent accidental contact.

2. Fully **OPEN** front chuck.
3. Place 916 on far side of carriage rail, lower onto front rail (Figure 4).
4. Position base so that drive bar feeds into open chuck and tighten front chuck onto drive bar.

▲ WARNING Drive bar must be centered in front jaws.



Figure 4 – Mounting on No. 1822-I Threading Machine (Same applies to Models 300 Compact and 535 Threading Machines)

Installing on 1822-I Threading Machine Mounted on 1406 Stand

NOTE! 1822I Threading Machines use the Model 916 Catalog No. 48307.

1. Position carriage towards front chuck and swing tools to the rear position.

CAUTION Position reamer inside the die head to prevent accidental contact.

2. Front chuck must be open. Position 916 so that the base slides onto the support rails and drive bar feeds into open chuck.

▲ WARNING Drive bar must be centered in front jaws.

3. Tighten chuck jaws securely onto drive bar.

Installing on 300 Compact Threading Machine with the 250 Stand.

NOTE! 300 Compact Threading Machines use the Model 916 Catalog No. 45007 and Adapter Bracket No. 67662 when mounted on a 250 Stand.

1. Position carriage towards front chuck and swing carriage tools to rear position.

CAUTION Position reamer inside the die head to prevent accidental contact.

2. Place the adapter bracket onto the rails of the 300 Compact and lock into place using the attached pin (Figure 5).

▲ WARNING Adapter bracket must be used with the 250 Stand to provide clearance for the pipe. Failure to use this bracket will result in the pipe hitting the stand.

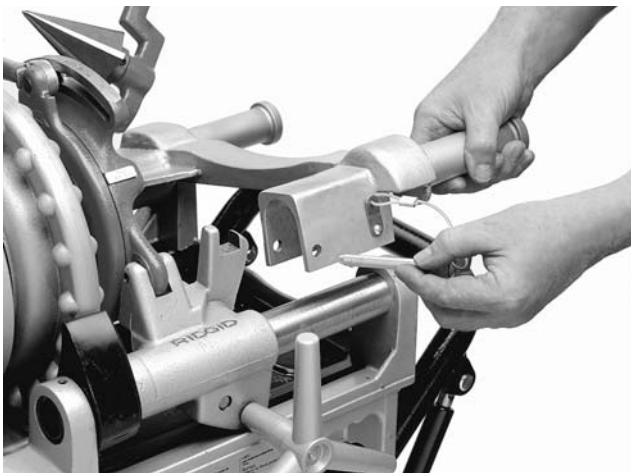


Figure 5 – Attaching Adapter Bracket to 300 Compact Threading Machine

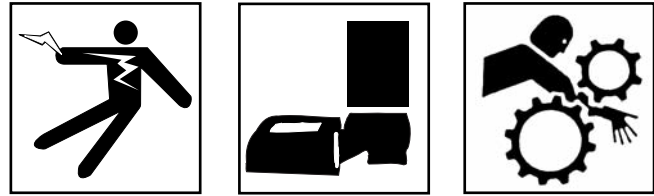
3. Place the 916 on the arms of the adapter.
4. Position base so that the drive bar feeds into the open chuck.
5. Tighten chuck jaws securely into drive bar.

▲ WARNING Drive bar must be centered in front chuck jaws. Drive bar must be securely held in chuck.

NOTE! Before transporting the 300 Compact using the No. 250 Stand, the 916 Roll Groover and 916 Roll Groover Adapter Bracket **MUST** be disassembled and removed from the machine. If left intact, these items will not allow the No. 250 Stand to lock in the folded position.

Machine Inspection

▲ WARNING



Do not use this Roll Groover with a power drive or threading machine that does not have a foot switch.

To prevent serious injury, inspect your Roll Groover and machine. The following inspection procedures should be performed on a daily basis.

1. Make sure machine is unplugged and the directional switch is set to the OFF position.
2. Make sure the foot switch is present and attached to the machine.
3. Inspect the power cord and plug for damage. If the plug has been modified, is missing the grounding pin or if the cord is damaged, do not use the machine until the cord has been replaced.
4. Make sure the Roll Groover is properly attached to the power drive or threading machine. Drive bar must be centered and securely held in the front chuck.
5. Inspect the Roll Groover for any broken, missing, misaligned or binding parts as well as any other conditions which may affect the safe and normal operation of this equipment. If any of these conditions are present, do not use the Roll Groover until any problem has been repaired.
6. Lubricate the Roll Groover if necessary according to the Maintenance Instructions.
7. Use groover rolls and accessories that are designed for your Roll Groover and meet the needs of your application. The correct groover tools and accessories allow you to do the job successfully and safely. Accessories suitable for use with other equipment may be hazardous when used with this Roll Groover.
8. Clean any oil, grease or dirt from all equipment handles and controls. This reduces the risk of injury due to a tool or control slipping from your grip.
9. Inspect the groove rolls to insure they are not damaged or worn. Worn groover rolls can lead to pipe slippage and poor quality grooves.

Machine and Work Area Set-Up

▲ WARNING



To prevent serious injury, proper set-up of the machine and work area is required. The following procedures should be followed to set-up the machine:

1. Locate a work area that has the following:
 - Adequate lighting
 - No flammable liquids, vapors or dust that may ignite.
 - Grounded electrical outlet
 - Clear path to the electrical outlet that does not contain any sources of heat or oil, sharp edges or moving parts that may damage electrical cord.
 - Dry place for machine and operator. Do not use the machine while standing in water.
 - Level ground
2. Clean up the work area prior to setting up any equipment. Always wipe up any oil that may be present.
3. Place machine on a flat, level surface. Be sure the machine, stand and groover are stable.
4. Properly support the pipe with pipe stands. Use two pipe stands to groove pipe over 36".

▲ WARNING Failure to properly support the pipe can result in the unit tipping or the pipe falling.

5. Make sure FOR/OFF/REV switch is in the OFF position.
6. Position the foot switch so that the operator can safely control the machine, roll groover and work-piece. It should allow the operator to do the following:
 - Stand with left hand on feed handle.
 - Use the foot switch with his left foot.
 - Have convenient access to the groover without reaching across the machine.

Machine is designed for one person operation.

7. Plug the machine into the electrical outlet making sure to position the power cord along the clear path selected earlier. If the power cord does not reach the outlet, use an extension cord in good condition.

▲ WARNING To avoid electrical shock and electrical fires, never use an extension cord that is damaged or does not meet the following requirements.

- The cord has a three-prong plug similar to shown in Electrical Safety section.
- The cord is rated as “W” or “W-A” if being used outdoors.
- The cord has sufficient wire thickness (14 AWG below 25’/12AWG 25’ - 50’). If the wire thickness is too small, the cord may overheat, melting the cord’s insulation or causing nearby objects to ignite.

▲ WARNING To reduce risk of electrical shock, keep all electrical connections dry and off the ground. Do not touch plug with wet hands.

8. Check the unit to insure it is operating properly.
 - Flip the directional switch to FOR (Forward). Press and release the foot switch. Check that the groove roll rotates in a counterclockwise direction as you are facing the groover. Have the power drive or threading machine serviced if it rotates in the wrong direction or if the foot switch does not control its stopping or starting.
 - Depress and hold the foot switch. Inspect the moving parts for misalignment, binding, odd noises or any other unusual conditions that may affect the safe and normal operation of the machine. If such conditions are present, have the roll groover drive serviced.
 - Check the speed of the machine to insure it rotates under 58 RPM. Higher speed machine increases the risk of injury.
 - Flip the directional switch to REV (Reverse) (Except 1822-I and 535 Automatic machines). Press and release the foot switch. Check that the drive roll rotates in a clockwise direction as you are facing the roll groover.
 - Release the foot switch and flip the directional switch to OFF.
9. Check the groove and drive rolls to insure they are the correct size.

CAUTION Use of roll sets on both carbon and stainless steel pipe can lead to contamination of the stainless steel material. This contamination could cause corrosion and premature pipe failure. To prevent ferrous contamination, use roll sets dedicated for stainless steel grooving.

Operating the 916 Roll Groover

▲ WARNING

Do not wear gloves or loose clothing when operating a Roll Groover. Keep sleeves and jackets buttoned. Do not reach across the machine or pipe.

Do not use this Roll Groover with a Power Drive or Threading Machine that has a broken or missing foot switch. Always wear eye protection to protect eyes from dirt and other foreign objects.

Keep hands away from grooving rolls. Do not wear loose fitting gloves when operating groover. Use pipe stands to support pipe.

When grooving, keep hands away from end of pipe. Do not reach inside pipe end.

Pipe Preparation

1. Pipe ends must be cut square. Do not use cutting torch.
2. Pipe out-of-roundness must not exceed the total O.D. tolerance listed in groove specifications, Table I.

NOTE! Determine out-of-roundness by measuring maximum and minimum O.D. at 90 degrees apart.

3. All internal or external weld beads, flash or seams must be ground flush at least 2" back from pipe end.

NOTE! Do not cut flats on gasket seat area.

Pipe/Tubing Length

Chart A lists the minimum length of pipe or tubing to be grooved and the maximum length to be grooved with (1) pipe stand.

Groovable Pipe Lengths - Inches

Nom. Size	Min. Length	Max. Length	Nom. Size	Min. Length	Max. Length
1	8	36	4	8	36
1¼	8	36	4½	8	32
1½	8	36	5	8	32
2	8	36	6 O.D.	10	30
2½	8	36	6	10	28
3	8	36			
3½	8	36			

Chart A - Minimum/Maximum Pipe Length

▲ WARNING Grooving pipe below 8" in length increases the risk of fingers being crushed in the grooving rolls.

Pipe Set-Up

1. Pipe or tubing longer than the specified maximum lengths listed in *Chart A* must be supported with 2 pipe stands. The second pipe support should be located ¾ of pipe length from roll groover.

▲ WARNING Failure to use two stands may result in unit tipping or the pipe falling.

2. Lift up on feed handle and place pipe on drive roll and pipe support.
3. Square pipe and pipe support to roll groover making sure pipe is flush against drive roll flange. (Figure 6)
4. Level pipe by adjusting pipe stand (Model 300PD, 535) (Figure 7). See tip for 1822 and 300 Compact grooving on page 10.
5. Slightly offset (approximately ½°) pipe and pipe stand toward operator when the power source operates in REVERSE mode (Figure 8).

NOTE! If power source runs in FORWARD offset pipe ½° away from operator. (Figure 8)



Figure 6 - Square Pipe & Pipe Support



Figure 7 - Leveling Pipe

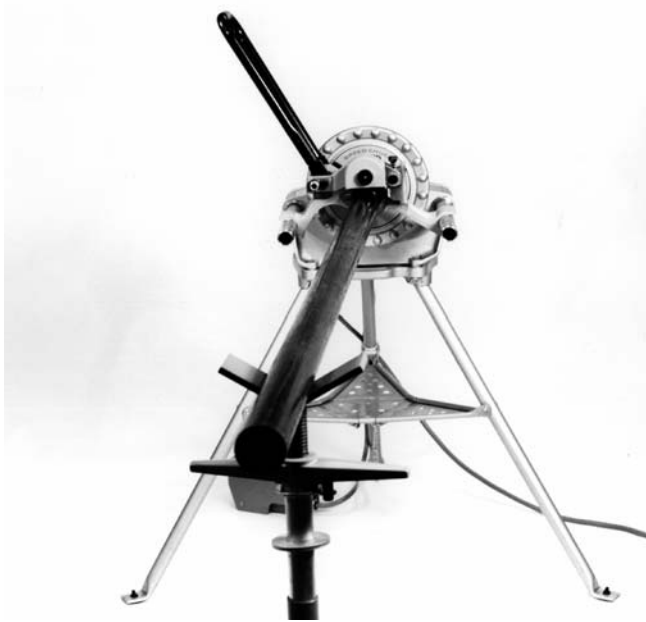


Figure 8A – Operating Machine in REVERSE (REV) Position



Figure 8B – Operating Machine in FORWARD (FOR) Position

Adjusting Roll Groove Depth

NOTE! To obtain the proper groove diameter, a test groove should be performed when setting up or changing pipe sizes.

1. Lift feed handle upward. (Figure 9)



Figure 9 – Feed Handle in UP Position

2. Fully loosen depth adjustment screw. (Figure 10)



Figure 10 – Loosen Depth Adjustment Screw

3. Tighten down depth adjustment screw the number of turns indicated in Chart B. (Figure 11)

NOTE! Chart B indicates adjustment needed when using the 916's standard roll set. See Chart D on Page 12 for special note on 1 1/4, 1 1/2 AWWA grooving and 1" pipe grooving. Chart C is used when grooving copper.

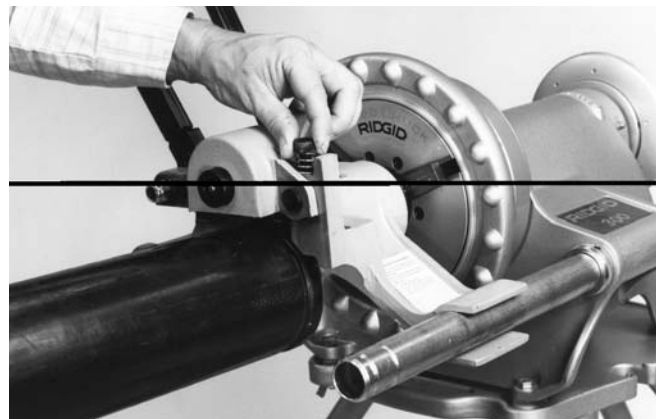


Figure 11 – Tighten Depth Adjustment Screw

Pipe Diameter Reference		
Pipe Diameter	Schedule 10 Minimum No. of Turns	Schedule 40 Minimum No. of Turns
6	2 ¹ / ₂	N/A
4	2 ³ / ₄	N/A
3 ¹ / ₂	2 ³ / ₄	N/A
3	2 ¹ / ₂	³ / ₄
2 ¹ / ₂	2 ¹ / ₂	1
2	2 ¹ / ₂	1 ¹ / ₂
1 ¹ / ₂	2 ¹ / ₂	1 ³ / ₄
1 ¹ / ₄	2 ³ / ₄	1 ³ / ₄

Chart B – Pipe Diameter and Turns

NOTE! Additional adjustment may be necessary to achieve proper depth. Chart above is for reference only.

Forming the Roll Groove

CAUTION Pipe wall thickness cannot exceed the maximum wall thickness specified in the “Pipe Maximum and Minimum Wall Thickness” *Table II*.

1. Flip the directional switch from OFF and step on power drive or threading machine foot switch while applying slight downward pressure on the feed handle.



Figure 12 – Forming the Roll Groove

WARNING If pipe begins to “walk off” the drive roll, stop the machine and check “Pipe Set-Up” procedure.

2. To help prevent “walking”, apply pressure on pipe with right hand, away from operator when running the power drive or machine in FORWARD mode, toward operator when running the power drive or machine in REVERSE mode.

NOTE! If power source runs in FOR position, push the pipe away from operator. If power source runs in REV, pull the pipe towards operator.

3. With pipe tracking properly and backside of pipe against drive roll flange, step on foot switch and con-

tinue downward pressure until feed handle rests on the base of 916 Roll Groover.

NOTE! Do not overfeed upper groove roll. Maintain constant downward pressure, pausing to allow one pipe revolution before increasing downward pressure.

4. After feed handle comes to rest on base of 916 Roll Groover allow two (2) complete pipe revolutions to even out groove depth.
5. Release foot switch and slip directional switch to OFF.
6. Pull feed handle upward and check groove diameter (*See Table I*).

NOTE! Two measurements 90 degrees apart should equal the “C” dimension or measure with a PI tape.

7. To decrease groove diameter, tighten depth adjustment screw. To increase groove diameter, loosen depth adjustment screw.

NOTE! Once groove depth is determined, additional grooves will have the same depth.

8. Periodically check groove depth with a “pi” or diameter tape. Coupling should fully seat in the groove without binding or excessive play.

NOTE! Pipe exceeding Fitting Manufacturer’s “Maximum Flare Specifications” may prevent assembly of the couplings pad to pad, allowing possible pipe separation that could result in property damage. Also, joint leakage may result due to excessive gasket distortion/damage. Check to Fitting Manufacturer’s specifications.

Model No. 916 Roll Grooving Tips

1. If pipe tends to walk off drive roll, increase offset dimension.
2. If drive roll flange shaves pipe end, decrease offset dimensions.
3. If pipe end flare is excessive, lower pipe end to level with roll groover.
4. If pipe wobbles and/or walks off drive roll, raise pipe end to level with groover.
5. Short lengths of pipe (under three feet) may require slight pressure to maintain the 1/2 degree offset dimension.

NOTE! When grooving pipe longer than 36” on Models 300 Compact or 1822-I Threading Machines that are mounted on folding stands, adjust the pipe to the same angle of the 916’s drive shaft (*Figure 13*).

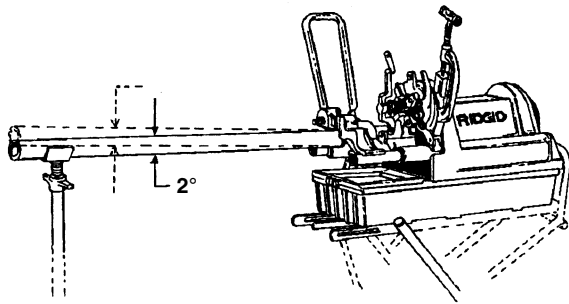


Figure 13 – Adjusting Pipe to Same Angle as Machine

Grooving Short Lengths of Pipe

1. When running machine in forward direction, exert pressure on pipe away from operator.
2. When running machine in reverse, exert pressure on pipe toward operator.

▲ WARNING Do not attempt to groove any pieces of pipe shorter than 8". Increases risk of fingers being crushed in the grooving rolls. Do not reach inside pipe end.

Removing and Installing

Removing and Installing Groove Roll

NOTE! As groove dimensions are determined by the roll set geometry, specific roll sets are required when grooving the following:

- 2" - 6" Copper Tubing Types (K, L, M, DWV)
- 1" Schedule 10 & 40
- 1 1/4" - 6" Schedule 10 (1 1/4" - 3" Schedule 40)
- 2" - 3" Schedule 40, 2" - 6" Schedule 10 AWWA
- 1 1/4" - 1 1/2" AWWA Schedule 10 & 40

▲ WARNING Make sure power drive or threading machine is unplugged from power source before changing the roll sets or removing the roll groover.

1. Remove E-Ring that holds pivot pin. (Figure 14)

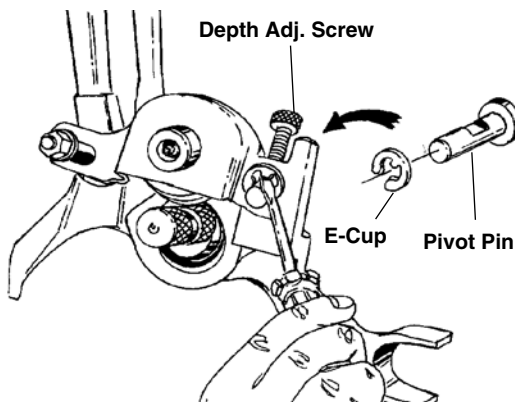


Figure 14 – Remove E-Ring

2. Push pivot pin back until stops.
3. Loosen depth adjustment screw.
4. Remove pivot pin.
5. Raise up groove roll housing. (Figure 15)

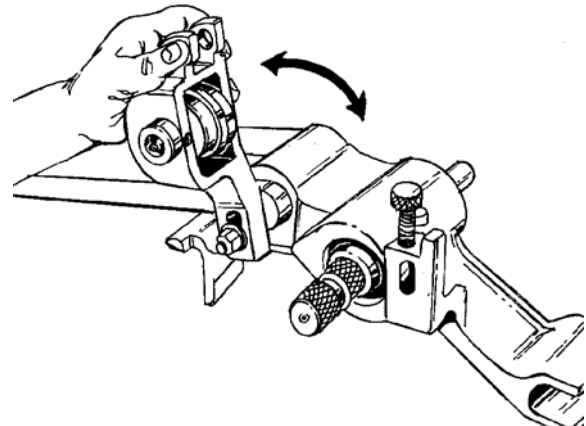


Figure 15 – Raise Up Roll Housing

6. Loosen set screw that holds groove roll shaft. (Figure 16)

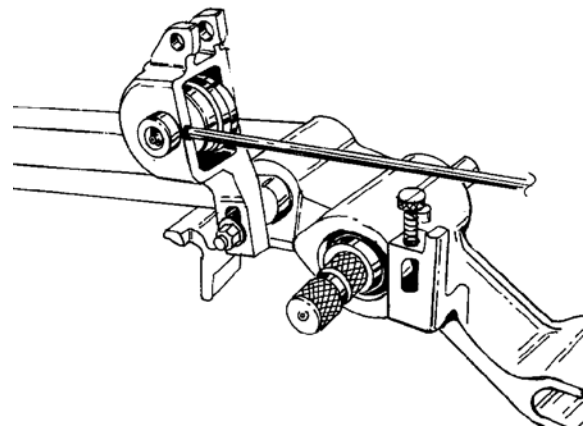


Figure 16 – Loosen Set Screw

7. Remove groove-roll shaft and groove roll.
8. Install proper groove roll in groove roll housing. Section of the groove roll that forms the groove goes towards the main housing.
9. When tightening set screw make sure it mates with drill point in shaft.
- 10 Re-install roll housing by reversing steps 5-1.

Removing or Installing Drive Roll

1. Remove 4 bolts that hold rear bearing retaining plate and remove plate. (Figure 17)

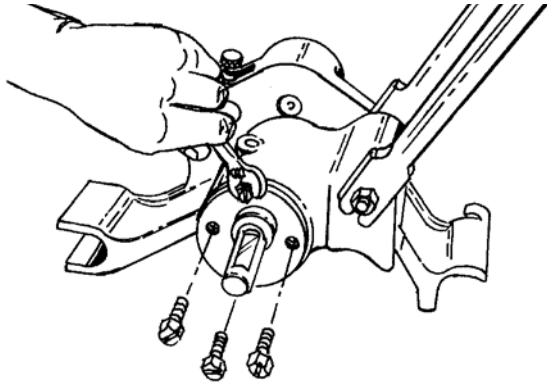


Figure 17 – Remove Retaining Plate

2. With mallet, lightly tap on front of drive shaft to release shaft and rear bearing from unit.
3. Pull drive shaft and bearing from unit, and replace with proper shaft.

NOTE! Replacement drive shaft come equipped with rear bearing.

Roll Grooving Copper with No. 916

Tubing Preparation

1. Copper tubing ends must be cut square.
2. Tubing out-of-roundness must not exceed the total O.D. tolerance listed in groove specifications.

NOTE! Determine out-of-roundness by measuring maximum and minimum O.D. at 90 degrees apart. Make sure that copper drive and groove rolls are installed before attempting to roll groove copper.

Forming Roll Groove

1. Set adjustment screw for depth required. (See Chart C below.)

Depth Adjustment Chart for Copper Roll Set

Diameter	Number of Turns			
	K	L	M	DWV
2"	4	4 ¹ / ₄	4 ¹ / ₂	—
2 ¹ / ₂ "	3 ¹ / ₂	4	4 ¹ / ₄	—
3"	3 ¹ / ₄	3 ¹ / ₂	4 ¹ / ₄	4 ³ / ₄
4"	2 ¹ / ₂	3 ¹ / ₄	3 ¹ / ₂	4 ¹ / ₂
5"	1 ³ / ₄	2 ³ / ₄	3 ¹ / ₄	4 ¹ / ₄
6"	1 ¹ / ₄	2 ¹ / ₂	3	4 ¹ / ₄

Chart C – Depth Adjustment Chart for Copper Pipe

NOTE! Additional adjustment may be necessary to achieve proper groove diameter. Chart above is for reference only

2. Square copper tubing and pipe stand to roll groover, making sure the workpiece is flush against drive roll flange.
3. Level copper tubing by adjusting pipe stand. Copper tubing and machine should both be leveled.
4. Follow instruction in section “Forming the Roll Groove” on page 10.

Roll Grooving Smaller Diameter Steel Pipe

1. Adjust feed screw for depth required. (See Chart D below.)

Diameter	Schedule 10	Schedule 40
	Minimum No. of Turns	Minimum No. of Turns
1"	5	4 ¹ / ₄
1 ¹ / ₄ "	3 ¹ / ₂	3
1 ¹ / ₂ "	3 ³ / ₄	3 ¹ / ₂

Chart D

NOTE! Additional adjustment may be necessary to achieve proper depth. Chart above is for reference only.

2. Follow instructions in section “Forming the Roll Groove” on page 10.

NOTE! 1¹/₄" and 1¹/₂" in Chart D refers to the use of optional AWWA roll set. See Chart B for adjustment when using standard roll set.

Accessories

▲ WARNING Only the following RIDGID products have been designed to function with the 916 Roll Groover. Other accessories suitable for use with other tools may become hazardous when used on this Roll Groover.

To prevent serious injury, use only the accessories listed below.

Catalog No.	Model No.	916 Accessories
45347	—	Roll Set for 1" Schedule 10, 40 (Optional)
45352	—	Roll Set for Copper (Optional)
69667	—	Roll Set for 1 ¹ / ₄ " - 1 ¹ / ₂ " AWWA (Optional)
69692	—	Roll Set for 2" - 6" AWWA (Optional)
67662	—	Adapter Bracket for 300 Compact
76822	—	English Diameter Tape
76827	—	Metric Diameter Tape

NOTE: A Roll Set Consists of a Groove Roll and a Drive Roll.

NOTE! See Ridge Tool catalog for listing of pipe stands.

Maintenance Instructions

▲ WARNING Make sure machine is unplugged from power source before performing maintenance or making any adjustments.

Lubrication

Drive Shaft and Groove Roll Shaft Bearings.

Lubricate with multi-purpose grease through fittings located on groove roll shaft and lower roll housing after every roll change.

Machine Storage

▲ WARNING Motor-driven equipment must be kept indoors or well covered in rainy weather. Store groover in a locked area that is out of reach of children and people unfamiliar with roll groover equipment. This machine can cause serious injury in the hands of untrained users.

Service and Repair

Service and repair work on this Roll Groover must be performed only by qualified repair personnel. Machine should be taken to a RIDGID Independent Authorized Service Center or returned to the factory. All repairs made by Ridge service facilities are warranted against defects in material and workmanship.

▲ WARNING When servicing this machine, only identical replacement parts should be used. Failure to follow these instructions may create a risk of serious injury.

If you have any questions regarding the service or repair of this machine, call or write to:

Ridge Tool Company
Technical Service Department
400 Clark Street
Elyria, Ohio 44035-6001
Tel: (800) 519-3456
E-mail: rtctechservices@emerson.com

For name and address of your nearest Independent Authorized Service Center, contact the Ridge Tool Company at (800) 519-3456 or <http://www.RIDGID.com>

Table I. Standard Roll Groove Specifications¹

NOTE! All Dimensions are in Inches.

NOM. PIPE SIZE	PIPE DIAMETER		MIN. WALL THK.	GASKET SEAT +.015/- .030	GROOVE WIDTH +.030/- .015	GROOVE DIAMETER		NOM. GROOVE DEPTH REF ²
	O.D.	TOL.				O.D.	TOL.	
1	1.315	+ .013 - .015	.065	.625	.281	1.190	+ .000 - .015	.063
1¼	1.660	+ .016 - .015	.065	.625	.281	1.535	+ .000 - .015	.063
1½	1.900	+ .019 - .015	.065	.625	.281	1.775	+ .000 - .015	.063
2	2.375	+ .024 - .016	.065	.625	.344	2.250	+ .000 - .015	.063
2½	2.875	+ .029 - .016	.083	.625	.344	2.720	+ .000 - .015	.078
3 OD	3.00	+ .030 - .018	.083	.625	.344	2.845	+ .000 - .015	.078
3	3.50	+ .030 - .018	.083	.625	.344	3.344	+ .000 - .015	.078
3½	4.00	+ .030 - .018	.083	.625	.344	3.834	+ .000 - .015	.083
4	4.50	+ .035 - .020	.095	.625	.344	4.334	+ .000 - .015	.083
4½	5.00	+ .040 - .020	.095	.625	.344	4.834	+ .000 - .015	.083
5	5.563	+ .050 - .022	.109	.625	.344	5.395	+ .000 - .015	.084
6 OD	6.00	+ .050 - .022	.109	.625	.344	5.830	+ .000 - .015	.085
6	6.625	+ .050 - .024	.109	.625	.344	6.455	+ .000 - .015	.085

1. AS per AWWA C606-87

2. Nominal Groove Depth is provided as a reference dimension. Do not use groove depth to determine acceptability.

Table II. Pipe Maximum and Minimum Wall Thickness

NOTE! All Dimensions are in Inches.

Pipe Size	CARBON STEEL OR ALUMINUM PIPE OR TUBE		STAINLESS STEEL PIPE OR TUBE		PVC PIPE	
	Wall Thickness		Wall Thickness		Wall Thickness	
	Min.	Max.	Min.	Max.	Min.	Max.
1"	.065	.133	.065	.109	.133	.133
1¼"	.065	.140	.065	.140	.140	.140
1½"	.065	.145	.065	.145	.145	.200
2"	.065	.154	.065	.154	.154	.218
2½"	.083	.203	.083	.188	.203	.276
3"	.083	.216	.083	.188	.216	.216
3½"	.083	.120	.083	.188	.226	.226
4"	.083	.120	.083	.188	.237	.237
5"	.109	.134	.109	.188	.258	.258
6"	.109	.134	.109	.188	.280	.280

Table III. Troubleshooting

PROBLEM	CAUSE	CORRECTION
Roll Groove too narrow or too wide.	Incorrect size of Grooving and Driving Rolls. Mismatched Grooving and Driving Rolls. Grooving Roll and/or Driving Roll worn.	Install correct size of Grooving and Driving Rolls. Match Grooving and Driving Rolls. Replace worn Roll.
Rolled Groove not perpendicular to pipe axis.	Pipe length not straight. Pipe end not square with pipe axis.	Use straight pipe. Cut pipe end square.
Pipe will not track while grooving.	Pipe not level. Pipe axis not offset 1/2 degree from Driving Roll axis. Groover not level.	Adjust stand to level pipe. Offset pipe 1/2 degree. Level Groover.
Pipe flared at grooved end.	Pipe not level.	Adjust stand to level pipe.
Pipe drifts back and forth on Driving Roll axis while grooving.	Pipe length not straight. Pipe end not square with pipe axis.	Use straight pipe. Cut pipe end square.
Pipe rocks from side to side on Driving Roll while grooving.	Pipe stands too close to end of pipe. Pipe end flattened or damaged. Hard spots in pipe material or weld seams harder than pipe. Grooving Roll hand feed rate too slow. Power Drive speed exceeds 36 RPM. Pipe supports Stand Rollers not in correct location for pipe size.	Move pipe stand in 1/4 distance from end of pipe. Cut off damaged pipe end. Hand feed Grooving Roll into pipe faster. Hand feed Grooving Roll into pipe faster. Reduce speed to 36 RPM. Position Pipe Stand Rollers for pipe size being used.
Groover will not roll groove in pipe.	Maximum pipe wall thickness exceeded. Wrong rolls. Pipe material too hard. Adjustment screw not set. Power Drive does not supply required minimum torque.	Check pipe capacity chart. Install correct rolls. Replace pipe. Set depth. Use RIDGID No. 300, 36-RPM Power Drive.
Groover will not roll groove to required diameter.	Maximum pipe diameter tolerance exceeded. Mismatched Grooving and Driving Rolls. Depth adjustment screw not set correctly.	Use correct diameter pipe. Match Grooving and Driving Rolls. Adjust depth setting.
Pipe slips on Driving Roll.	Grooving Roll hand feed rate too slow. Driving Roll knurling plugged with metal or worn flat.	Hand feed Grooving Roll into pipe faster. Clean or replace Driving Roll.
Groover will not rotate pipe while grooving.	Power Drive does not supply minimum required torque. Chuck not closed on drive shaft flats.	Use RIDGID No. 300, 36 RPM Power Drive, 535 or 1822-I Machine. Close chuck.
Pipe raises or tends to tip Groover over backwards.	Pipe Support Stand too close to Groover.	Move pipe stand 1/4 distance in from outer end of pipe.

Table IV. Copper Roll Groove Specifications

NOTE! All Dimensions are in Inches.

1	2		3	4	5	6	7	8
Nom. Size Inches	Tubing Outside Diameter O.D.		A Gasket Seat	B Groove Width	C Groove Dia.	D Groove Depth Ref.	T Min. Allow. Wall Thick.	Max. Allow. Flare Dia.
	Basic	Tolerance	A ±.03	+ .03 - .00	+ .00 - .02			
2"	2.125	±0.002	0.610	0.300	2.029	0.048	0.064	2.220
2½"	2.625	±0.002	0.610	0.300	2.525	0.050	0.064	2.720
3"	3.125	±0.002	0.610	0.300	3.025	0.050	DWV	3.220
4"	4.125	±0.002	0.610	0.300	4.019	0.053	DWV	4.220
5"	5.125	±0.002	0.610	0.300	5.019	0.053	DWV	5.220
6"	6.125	±0.002	0.610	0.300	5.999	0.063	DWV	6.220

RIDGID[®]

Rainureuse à galets n° 916

Pour machine à fileter type 300PD,
300 Compact, 535 ou 1822-I



Table des matières

Consignes de sécurité générales

Sécurité du chantier19
 Sécurité électrique19
 Sécurité personnelle19
 Utilisation et entretien de l'appareil20
 Réparations20

Consignes de sécurité particulières

Sécurité de la pédale de commande20
 Sécurité de la rainureuse à galets20

Description, spécifications et équipements de base

Description21
 Spécifications21
 Equipements de base22
 Gamme des rainureuses 91622

Assemblage de la rainureuse à galets

Montage de la rainureuse à galets n° 916 sur système d'entraînement n° 30022
 Montage de l'adaptateur d'entraînement pour les machines à fileter type 1822-I, 535 ou 300 Compact22
 Montage de la rainureuse à galets n° 916 sur machines à fileter type 1822-I, 535 ou 300 Compact montées sur support type 100, 150 ou 20023
 Montage de la rainureuse à galets n° 916 sur machine à fileter type 1822-I montée sur support type 140623
 Montage de la rainureuse à galets n° 916 sur machine à fileter type 300 compact montée sur support type 25023

Inspection de la machine

Préparation du matériel et du chantier24

Utilisation de la rainureuse à galets n° 916

Préparation des tuyaux26
 Longueur des tuyaux26
 Installation des tuyaux26
 Réglage de la profondeur de rainurage27
 Exécution du rainurage28
 Conseils pratiques visant l'utilisation de la 91629
 Rainurage des tuyaux de petite longueur29

Dépose et installation

Dépose et installation des galets de rainurage29
 Dépose et installation des galets d'entraînement30

Utilisation de la 916 pour le rainurage du cuivre

Préparation des tuyaux30
 Exécution du rainurage30

Rainurage des tuyaux d'acier de petit diamètre

.....31

Accessoires

.....31

Entretien

Lubrification31
 Stockage de la machine31

Service après-vente et réparations

.....31

Tableau I : Spécifications de rainurage standard

.....32

Tableau II : Epaisseurs maximales et minimales des parois

.....32

Tableau III : Dépannage

.....33

Tableau IV : Spécifications de rainurage pour cuivre

.....34

Garantie à vie

.....Page de garde

Consignes générales de sécurité

MISE EN GARDE ! Familiarisez-vous avec l'ensemble des instructions. L'inobservation des consignes suivantes augmenterait les risques de choc électrique, d'incendie et d'accident grave.

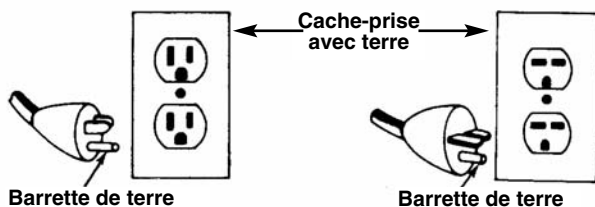
CONSERVEZ CES INSTRUCTIONS !

Sécurité du chantier

- **Gardez le chantier propre et bien éclairé.** Les établis encombrés et les locaux mal éclairés sont des invitations aux accidents.
- **Ne pas utiliser d'appareils électriques dans un milieu explosif tel qu'en présence de liquides, de gaz ou de poussières inflammables.** L'appareil produit des étincelles qui pourraient provoquer la combustion des poussières et vapeurs.
- **Garder les tiers, les enfants et les visiteurs à l'écart lors de l'utilisation de tout appareil électrique.** Les distractions peuvent vous faire perdre le contrôle de l'appareil.
- **S'assurer que les sols sont secs et propres.** Eliminer toutes traces d'huile ou d'autres matières visqueuses. Les sols glissants sont une invitation aux accidents.

Sécurité électrique

- **Les appareils électriques avec terre doivent être branchés sur une prise avec terre appropriée et conforme aux normes en vigueur. Ne jamais enlever la barrette de terre ou tenter de modifier la fiche d'aucune manière. Ne jamais utiliser d'adaptateurs de prise. Consultez un électricien qualifié en cas de doute sur la bonne mise à la terre de la prise.** Dans le cas d'une panne ou d'une défaillance électrique de l'appareil, la terre assure un passage de faible résistance qui éloigne le courant électrique de l'opérateur.



- **Eviter tout contact avec les masses.** La mise à la masse augmente les risques de choc électrique.
- **Ne pas exposer les appareils électriques aux intempéries ou à l'eau.** Toute pénétration d'eau à l'intérieur de l'appareil augmente les risques de choc électrique.

- **Ne pas maltraiter le cordon électrique de l'appareil. Ne jamais porter l'appareil par son cordon électrique, ni tirer sur celui-ci pour débrancher l'appareil. Ecarter le cordon d'alimentation des sources de chaleur, de l'huile, des arêtes vives et des mécanismes éventuels. Remplacer immédiatement tout cordon électrique endommagé.** Les cordons endommagés augmentent les risques de choc électrique.
- **A l'extérieur, utiliser une rallonge électrique désignée "W-A" ou "W".** Ce type de rallonge est prévu pour être utilisé à l'extérieur et réduit les risques de choc électrique.
- **Garder toutes connexions électriques au sec et surélevées. Ne pas toucher de fiches électriques ou l'appareil avec les mains mouillées.** Cette précaution réduira les risques de choc électrique.
- **Utiliser uniquement des rallonges à trois fils dont les connexions sont compatibles avec celle de l'appareil.** L'utilisation d'autres types de rallonge électrique n'assurera pas la mise à la terre de l'appareil et augmentera les risques de choc électrique.
- **Utiliser la section de rallonge appropriée (voir le tableau).** Une section de conducteurs insuffisante entraînera des pertes de charge excessive et un manque de puissance.

Section minimale des fils conducteurs des rallonges			
Ampères indiqués sur la plaque signalétique	Longueur totale (en pieds)		
	0 à 25	26 à 50	51 à 100
0 à 6	18 AWG	16 AWG	16 AWG
6 à 10	18 AWG	16 AWG	14 AWG
10 à 12	16 AWG	16 AWG	14 AWG
12 à 16	14 AWG	12 AWG	Déconseillé

Sécurité personnelle

- **Il est nécessaire de rester attentif et de faire preuve de bon sens lors de l'utilisation d'un appareil électrique. Ne pas utiliser ce type d'appareil lorsque fatigué ou sous l'influence de drogues, de l'alcool ou de médicaments.** Lors de l'utilisation des appareils électriques, un instant d'inattention peut provoquer un accident grave.
- **S'habiller de manière appropriée. Ne pas porter de vêtements amples ou de bijoux. Attacher les cheveux longs. Ecarter les cheveux, les vêtements et les gants des pièces rotatives.** Les vêtements amples, les bijoux et les cheveux longs peuvent être entraînés dans le mécanisme.

- **Eviter les risques de démarrage accidentel. S'assurer que l'interrupteur marche/arrêt est en position OFF (arrêt) avant de brancher l'appareil.** Brancher un appareil lorsque son interrupteur est en position de marche est une invitation aux accidents.
- **Enlever les clés et autres dispositifs de réglage avant de mettre l'appareil en marche.** Une clé laissée sur une partie rotative de l'appareil peut s'avérer très dangereuse.
- **Ne pas se mettre en porte-à-faux. Maintenir une bonne assise et un bon équilibre à tout moment.** Une bonne assise et un bon équilibre vous permettent de mieux contrôler l'appareil en cas d'imprévu.
- **Utiliser les équipements de sécurité appropriés. Porter systématiquement des lunettes de sécurité.** Un masque à poussière, des chaussures de sécurité, le casque et/ou une protection auditive doivent être prévus selon les conditions d'utilisation.

Utilisation et entretien de l'appareil

- **Ne pas utiliser d'appareil dont l'interrupteur marche/arrêt ne fonctionne pas correctement.** Tout appareil qui ne peut pas être contrôlé par son interrupteur est potentiellement dangereux et doit être réparé.
- **Débrancher le cordon électrique de l'appareil avant tout réglage, changement d'accessoires ou rangement de celui-ci.** De telles mesures préventives réduisent le risque de démarrage accidentel de l'appareil.
- **Ranger les appareils non utilisés hors de la portée des enfants et des personnes non-initiées.** Ces appareils sont dangereux entre les mains de personnes non initiées.
- **S'assurer qu'il n'y a pas de mauvais alignement ou de grippage des pièces rotatives ou d'autres conditions qui pourraient entraver le bon fonctionnement de l'appareil. Le cas échéant, faire réparer l'appareil avant de l'utiliser.** De nombreux accidents sont le résultat d'un appareil mal entretenu.
- **Utiliser exclusivement les accessoires recommandés par le fabricant pour ce type d'appareil.** Les accessoires prévus pour un autre type d'appareil peuvent être dangereux.
- **Garder les poignées de l'appareil propres et sèches, en éliminant toutes traces d'huile ou de graisse éventuelles.** Cela permettra de mieux contrôler l'appareil.

Réparations

- **Toutes réparations de l'appareil doivent être confiées à un réparateur qualifié.** La réparation ou l'entretien de l'appareil par du personnel non qualifié pourrait provoquer des accidents.
- **Lors de la réparation de l'appareil, utilisez exclusivement des pièces de rechange identiques à celles d'origine. Suivez les instructions de la section "Entretien" du mode d'emploi.** L'utilisation de pièces de rechange non homologuées ou l'inobservation des consignes d'entretien peuvent augmenter les risques de choc électrique et d'accident.

Consignes de sécurité particulières

▲ MISE EN GARDE !

Familiarisez-vous avec ce mode d'emploi avant de tenter d'utiliser cette rainureuse à galets. L'inobservation des consignes qu'il contient augmenterait les risques de choc électrique, d'incendie et/ou d'accident grave.

Veillez adresser toutes questions éventuelles aux services techniques de la Ridge Tool Company en composant le (800) 519-3456.

▲ MISE EN GARDE Sécurité de la pédale de commande

L'utilisation d'une machine à fileter sans sa pédale de commande augmente les risques de blessure grave. La pédale de commande assure un meilleur contrôle de l'appareil, car elle permet d'arrêter le système en retirant simplement le pied. Si vos vêtements devaient se prendre dans le mécanisme, ils s'embobineraient en vous entraînant avec eux. Vu le couple élevé de la machine, les vêtements eux-mêmes risquent de s'entortiller autour d'un bras ou autre partie du corps avec suffisamment de force pour briser les os.

Sécurité de la rainureuse à galets

- **Cette rainureuse à galets est prévue pour le rainurage des tuyaux et des tubes. Respecter toutes les consignes d'utilisation ci-devant.** Toutes autres applications pourraient augmenter les risques d'accident.
- **Eloigner vos mains des galets de rainurage. Ne pas porter de gants trop amples lors de l'utilisation de cette machine.** Vos doigts risqueraient

d'être pincés entre les galets de rainurage et d'entraînement.

- **Garder les carters de sécurité en place. Ne pas utiliser la rainureuse sans ses carters de sécurité.** Toute exposition aux galets de rainurage augmente les risques d'enchevêtrement et de blessure grave.
- **Installer la rainureuse sur une surface plane et de niveau. S'assurer de la stabilité de la machine, du support et de la rainureuse.** Cela évitera le renversement de l'ensemble.
- **Ne pas porter de vêtements amples. Boutonner les manches de chemise et de blouson. Ne pas se pencher sur la machine ou sur le tuyau.** Vos vêtements risquent de s'embobiner autour du tuyau et de vous blesser sérieusement.
- **Ne pas utiliser cette rainureuse à galets avec un système d'entraînement ou une machine à fileter sans pédale de commande.** La pédale de commande est un dispositif de sécurité qui vous protège contre les blessures graves.
- **S'assurer que la rainureuse est correctement montée sur le système d'entraînement ou la machine à fileter. Respectez soigneusement les consignes d'installation.** Cela évitera le renversement du tuyau ou de l'ensemble de rainurage.
- **Soutenir le tuyau à l'aide d'un porte-tubes. Prévoir deux porte-tubes pour tous tuyaux d'une longueur supérieure à 36 pouces.** Cela évitera le renversement de l'ensemble.
- **Utiliser exclusivement un système d'entraînement ou une machine à fileter dont le régime de rotation est inférieur 58 t/min.** Des régimes de rotation plus élevés augmenteraient les risques d'accident.
- **Eloigner les mains de l'extrémité des tuyaux en cours de rainurage. Ne pas introduire la main à l'intérieur du tuyau.** Cela empêchera les risques de coupure en cas d'arêtes vives ou de bavures.
- **Verrouiller la pédale de commande lorsque l'appareil ne sert pas (Figure 1).** Cela évitera les risques de démarrage accidentel.

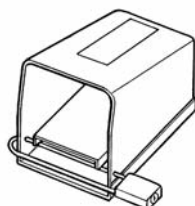


Figure 1 – Pédale de commande verrouillée

Description, spécifications, équipements de base et accessoires

Description

La rainureuse à galets RIDGID n° 916 assure le rainurage standard des tuyaux en acier, acier inoxydable et aluminium. La 916 est une rainureuse portative légère prévue pour les tuyaux série 10 de 1¼ à 6 po de diamètre (ou 1¼ à 3 po en série 40), qui peut aussi être adaptée aux tuyaux série 10 de 1 po, aux tuyaux série 40 de 1 po, et aux tuyaux en cuivre types K, L, M et DWV de 2 à 6 po en remplaçant les galets. Les rainures sont formées par des galets de rainurage et d'entraînement compatibles avec les systèmes d'accouplement mécaniques traditionnels. Le seul réglage nécessaire est celui de la profondeur de rainure.

Il existe une rainureuse à galets n° 916 pour les systèmes d'entraînement RIDGID n° 300, 300 Compact, 535 et 535A, ainsi que pour la machine à fileter n° 1822-I. Cependant, chaque type de système d'entraînement ou de montage nécessite l'utilisation d'un modèle de 916 particulier.

AVERTISSEMENT Utilisée correctement, la rainureuse n° 916 assure des rainures de dimensions conformes aux spécifications de la norme AWWA C606-87. Le concepteur et/ou l'installateur sont responsables de la sélection des matériaux et des méthodes de raccordement appropriées. Une analyse approfondie du milieu d'utilisation spécifique, tant sur le plan chimique que thermique, devrait précéder toute tentative d'installation.

Spécifications

Capacité de rainurage

- Tuyaux série 10 Ø 1¼ à 6 po
 - Tuyaux série 40 Ø 1¼ à 3 po
- (Voir le Tableau II pour les épaisseurs de parois)
- Tuyaux cuivre types K,L,M, DWV Ø 2 à 6 po
 - Tuyaux série 10 Ø 1 po
 - Tuyaux série 40 Ø 1 po

Réglage de

profondeur Vis de réglage

Activation Mécanisme à poignée monocoup intégrale

Systèmes

d'entraînement.....Système d'entraînement n° 300, machine à fileter n° 1822-I, machines à fileter n° 535M et n° 535A, machine à fileter n° 300 Compact

Poids.....33 livres

Equipements de base

Galet de rainurage.....1¼ à 6 po (série 40 de 1¼ à 3, série 10 de 6 po)

Galet d'entraînement.....1¼ à 6 po (série 40 de 1¼ à 3 po, série 10 de 6 po)

Levier d'avancementTubulaire

Adaptateur d'entraînement(Si nécessaire)

Gamme des rainureuses 916

Réf. Catalogue	Modèle	Description	Poids	
			livres	kg
45007	916	Rainureuse à galets pour système d'entraînement n° 300	33	15,0
46852	916	Rainureuse à galets pour cuivre pour s/e n° 300	34	15,5
60382	916	Rainureuse à galets pour n° 535	33	15,0
48307	916	Rainureuse à galets pour n° 1822	33	15,0
48307	916	Rainureuse à galets pour 300 Compact monté sur support n° 100, 150 ou 200	33	15,0
45007	916	Rainureuse à galets pour 300 Compact monté sur support n° 250 (prévoir l'adaptateur n° 67662)	33	15,0
Accessoires disponibles				
45347	—	Jeu de galets pour tuyaux série 10 et 40 de 1 po	6	2,6
45352	—	Jeu de galets pour tuyaux en cuivre	6	2,6
69667	—	Jeu de galets pour tuyaux AWWA de 1¼ à 1½ po	6	2,6
69692	—	Jeu de galets pour tuyaux AWWA de 2 à 6 po	6	2,6
67662	—	Adaptateur pour 300 Compact	30	13,6
76822	—	Ruban diamétrique américain	0.3	0,1
76827	—	Ruban diamétrique métrique	0.3	0,1

Assemblage de la rainureuse à galets

▲ MISE EN GARDE !



La rainureuse à galets n° 916 ne doit être utilisée qu'avec les systèmes d'entraînement et machines à fileter ci-dessous.

- **Système d'entraînement n° 300 (38 et 57 t/min.)**
- **Machine à fileter n° 535 (38 et 54 t/min.)**
- **Machine à fileter n° 1822**
- **Machine à fileter automatique n° 535**
- **300 Compact**

N'utiliser que les systèmes d'entraînement ou machines à fileter qui fonctionnent à un régime maximum de 58 t/min. L'utilisation de machines tournant à un régime supérieur augmenterait les risques d'accident.

Respecter les consignes d'assemblage suivantes afin d'éviter les risques d'accident éventuels :

Montage sur système d'entraînement n° 300

1. Enlever le chariot et autres accessoires du système d'entraînement n° 300.
2. Ouvrir le mandrin avant du système d'entraînement complètement.
3. Positionner la 916 sur le rail de chariot d'en face avant de la reposer sur le rail de chariot le plus proche (Figure 2).
4. Engager l'arbre d'entraînement dans le mandrin du système d'entraînement n° 300.
5. Serrer le mandrin avant à fond sur l'arbre d'entraînement.



Figure 2 – Montage sur système d'entraînement n° 300

Montage de l'adaptateur d'entraînement pour machine à fileter n° 1822-I, 535 ou 300 Compact

NOTA ! Cet adaptateur d'entraînement doit être monté sur la rainureuse à galets n° 916 lors de l'utilisation des machines à fileter 535A, 535M, 1822I ou 300 Compact en tant que système d'entraînement.

Montage de l'adaptateur d'entraînement

1. Enfiler l'adaptateur d'entraînement sur l'arbre d'entraînement de la rainureuse à galets. Aligner les vis de blocage sur les plats de l'arbre d'entraînement et serrer les vis.

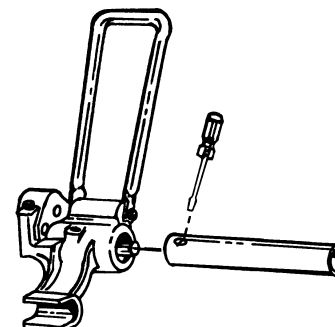


Figure 3 – Serrer les vis de blocage.

Montage sur machines à fileter n° 535A, 535M, 1822-I ou 300 Compact montées sur supports n° 100, 150 ou 200.

NOTA ! La machine à fileter n° 535 utilise le modèle de 916 référence 60382. Cette rainureuse est équipée d'une plaque de montage qui s'adapte aux rails de la 535.

Les machines à fileter n° 1822-I et 300 Compact utilisent la 916 référence 48307. La partie inférieure de son logement à galets est spécialement adaptée aux rails de ces machines.

1. Positionner le chariot vers le mandrin avant, puis rabattre les outils du chariot en arrière.

AVERTISSEMENT Positionner l'alésoir à l'intérieur de la tête de filières afin d'éviter de le heurter accidentellement.

2. Ouvrir le mandrin avant complètement.
3. Placer la 916 d'abord sur le rail opposé du chariot, puis la descendre sur le rail avant (Figure 4).
4. Positionner l'embase de manière à ce que l'arbre d'entraînement s'introduise dans le mandrin ouvert, puis serrer le mandrin avant sur l'arbre d'entraînement.

▲ MISE EN GARDE L'arbre d'entraînement doit être axé entre les mors avant.



Figure 4 – Montage sur machine à fileter n° 1822-I (idem pour les machines à fileter 300 Compact et 535)

Installation sur machine à fileter n° 1822-I montée sur support n° 1406

NOTA ! La machine à fileter n° 1822I utilise la 916 référence 48307.

1. Positionner le chariot vers le mandrin avant, puis basculer les outils vers l'arrière.

AVERTISSEMENT Positionner l'alésoir à l'intérieur de la tête de filières afin d'éviter de le heurter accidentellement.

2. Le mandrin avant doit être ouvert. Positionner la 916 de manière à ce que l'embase s'enfile dans les rails du support et que l'arbre d'entraînement s'introduise dans le mandrin ouvert.

▲ MISE EN GARDE L'arbre d'entraînement doit être axé entre les mors avant.

3. Serrer les mors du mandrin à fond sur l'arbre d'entraînement.

Installation sur machine à fileter 300 Compact montée sur support n° 250.

NOTA ! La machine à fileter 300 Compact utilise la 916 référence 45007 avec adaptateur n° 67662 lors du montage sur support n° 250.

1. Positionner le chariot vers le mandrin avant, puis basculer les outils du chariot vers l'arrière.

AVERTISSEMENT Positionner l'alésoir à l'intérieur de la tête de filières afin d'éviter de le heurter accidentellement.

2. Placer l'adaptateur sur les rails de la 300 Compact, puis le fixer à l'aide de la broche attachée (Figure 5).

▲ MISE EN GARDE Il est nécessaire d'utiliser l'adaptateur avec le support n° 250 afin de dégager les tuyaux. Sans adaptateur, les tuyaux heurteraient le support.

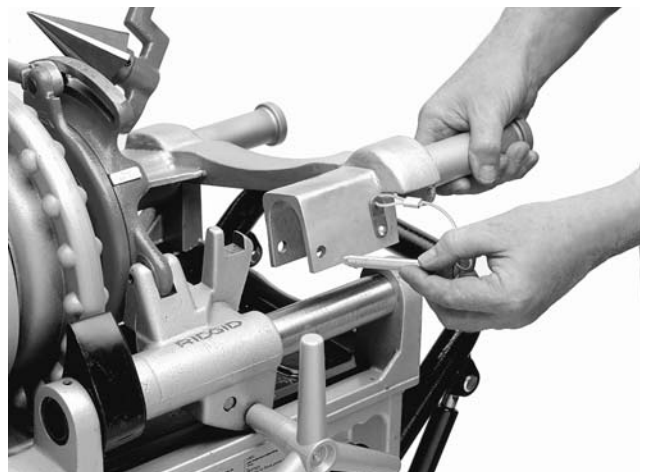


Figure 5 – Montage de l'adaptateur sur la machine à fileter 300 Compact

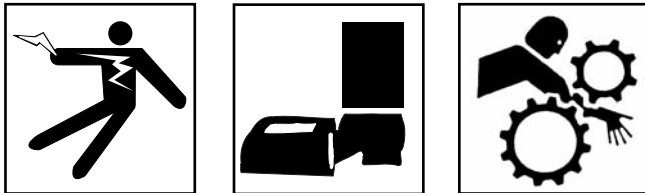
3. Placer la 916 sur les bras de l'adaptateur.
4. Positionner l'embase de manière à ce que l'arbre d'entraînement s'introduise dans le mandrin ouvert.
5. Serrer les mors de mandrin à fond sur l'arbre d'entraînement.

▲ MISE EN GARDE L'arbre d'entraînement doit être axé entre les mors du mandrin avant. Le mandrin avant doit être serré à fond sur l'arbre d'entraînement.

NOTA ! Il est IMPERATIF d'enlever la 916 et son support avant de transporter une 300 Compact montée sur support n° 250, car ces éléments empêcheraient le verrouillage du support n° 250 en position repliée.

Inspection de la machine

▲ MISE EN GARDE !



Ne pas utiliser cette rainureuse à galets avec un système d'entraînement ou une machine à fileter sans pédale de commande.

Inspecter la rainureuse à galets et la machine afin d'éviter les accidents graves. Il convient d'utiliser la méthode d'inspection suivante quotidiennement.

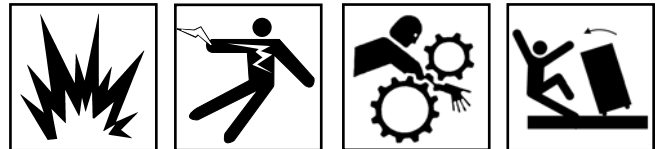
1. S'assurer que la machine est débranchée et que son inverseur est en position arrêt (OFF).
2. S'assurer que la pédale de commande est présente et qu'elle est connectée à la machine.
3. Inspecter le cordon d'alimentation et sa fiche pour signes de dégâts. Si le cordon a été modifié, qu'il lui manque sa barrette de terre ou que le cordon lui-même est endommagé, faire réparer le cordon avant d'utiliser la machine.
4. S'assurer que la rainureuse à galet est correctement montée sur le système d'entraînement ou sur la machine à fileter. L'arbre d'entraînement doit être axé et complètement serré dans le mandrin avant.
5. Inspecter la rainureuse à galets pour signes de pièces endommagées, manquantes, mal alignées ou grippées, ainsi que pour toutes conditions qui pourraient nuire à la sécurité et au bon fonctionnement du matériel. Le cas échéant, ne pas utiliser la rainureuse à galets avant que toute anomalie ait été réparée.
6. Si nécessaire, lubrifier la rainureuse à galets selon les consignes d'entretien ci-après.
7. Utiliser les galets de rainurage et les accessoires spécifiquement prévus pour ce type de rainureuse

et pour l'application en question. L'utilisation des galets et des accessoires de rainurage prévus permet de faire le travail correctement et en toute sécurité. Les accessoires prévus pour d'autres types de matériel peuvent s'avérer dangereux lorsqu'ils sont utilisés avec ce type de rainureuse à galets.

8. Essuyer toutes traces d'huile de graisse et de crasse de l'ensemble des poignées et commandes de l'appareil. Cela réduira les risques d'accidents provoqués par l'échappement d'un outil ou d'une commande.
9. Inspecter les galets de rainurage afin d'assurer qu'ils ne sont pas endommagés ou usés. Des galets de rainurage usés peuvent entraîner le déplacement des tuyaux et une mauvaise qualité de rainurage.

Préparation du matériel et du chantier

▲ MISE EN GARDE !



La machine et le chantier doivent être préparés correctement afin d'éviter les risques d'accident grave. Respecter les consignes suivantes visant la préparation de la machine :

1. Prévoir une zone de travail offrant les éléments suivants :
 - Suffisamment d'éclairage
 - Absence de liquides, de vapeurs ou de poussières inflammables qui risqueraient de s'allumer
 - Une prise de courant avec terre
 - Un passage dégagé jusqu'à la prise de courant, sans sources de chaleur ou d'huile, ni d'arêtes vives ou de mécanismes qui pourraient endommager le cordon électrique.
 - Un endroit sec pour la machine et son utilisateur. Ne pas utiliser la machine avec les pieds dans l'eau.
 - Un sol de niveau.
2. Nettoyer le chantier avant toute installation du matériel. Essuyer systématiquement toutes traces d'huile éventuelles.
3. Placer la machine sur une surface plane et de niveau. S'assurer de la stabilité de la machine, du support et de la rainureuse.

- Utiliser des porte-tubes pour soutenir le tuyau de manière appropriée. Utiliser deux porte-tubes pour les tuyaux de plus de 36 pouces de long.

▲ MISE EN GARDE Un tuyau mal soutenu risque de tomber ou de renverser le matériel.

- S'assurer que l'interrupteur Marche/Arrêt (FOR/OFF/REV) se trouve en position Arrêt (OFF).
- Positionner la pédale de commande de manière à ce que l'utilisateur puisse contrôler la machine, la rainureuse à galets et le tuyau en toute sécurité. Cette position devrait permettre à l'utilisateur :
 - De se tenir avec sa main gauche sur le levier d'avancement.
 - D'utiliser la pédale de commande du pied gauche.
 - De pouvoir accéder facilement à la rainureuse, sans avoir à se pencher sur la machine.

Cette machine est prévue pour utilisateur unique.

- Brancher la machine sur la prise électrique en faisant attention de faire passer le cordon d'alimentation via le passage dégagé précédemment sélectionné. Si le cordon d'alimentation n'arrive pas jusqu'à la prise, utiliser une rallonge électrique en bon état.

▲ MISE EN GARDE Afin d'éviter les risques de choc et d'incendie électriques, ne jamais utiliser de rallonge électrique endommagée ou qui ne répond pas aux critères suivants :

- La rallonge doit être équipée d'une fiche semblable à celle indiquée à la section "Sécurité électrique".
- Toute rallonge utilisée à l'extérieur doit être du type "W" ou "W-A".
- La rallonge doit avoir des fils conducteurs de section suffisante (14 AWG à moins de 25 pieds, et 12 AWG de 25 à 50 pieds). Une rallonge dont les fils conducteurs sont de section insuffisante risque de surchauffer et fondre sa gaine d'isolation ou mettre à feu des objets à proximité.

▲ MISE EN GARDE Garder toutes connexions électriques au sec et surélevées afin de limiter les risques de choc électrique. Ne pas toucher les fiches avec les mains mouillées.

- Vérifier le bon fonctionnement du matériel.
 - Mettre l'inverseur en position FOR (marche avant). Appuyer momentanément sur la pédale de commande. S'assurer que la rainureuse à galets tourne bien à gauche, en se tenant de face. Faire réparer tout système d'entraînement ou toute machine à fileter qui tournerait en sens.

- contraire ou dont la pédale de commande ne contrôlerait pas la fonction marche/arrêt.
- Appuyer sur la pédale de commande sans la lâcher. Inspecter les mécanismes pour signes de mauvais alignement, de grippage, de bruits anormaux ou d'autres conditions qui pourraient nuire à la sécurité et au fonctionnement normal de la machine. Le cas échéant, faire réparer le système d'entraînement de la rainureuse à galets.
- Vérifier que la vitesse de rotation de la machine n'excède pas 58 t/min. Un régime de rotation supérieur augmenterait les risques d'accident.
- Mettre l'inverseur en position REV (marche arrière)(sauf sur modèles 1822-I et 535 Automatic). Appuyer momentanément sur la pédale de commande. S'assurer que la rainureuse à galets tourne bien droite, en se tenant de face.
- Lâcher la pédale de commande et ramener l'inverseur en position OFF.

- S'assurer que les galets de rainurage et d'entraînement sont de dimensions appropriées.

AVERTISSEMENT L'utilisation d'un même jeu de galets pour le rainurage des tuyaux en acier au carbone et en acier inoxydable risque de contaminer l'acier inoxydable. Une telle contamination risque de provoquer la corrosion et la défaillance prématurée du tuyau. Prévoir des galets réservés à l'acier inoxydable pour le rainurage des tuyaux inox.

Utilisation de la rainureuse à galets n° 916

▲ MISE EN GARDE !

Ne pas porter de gants ou de vêtements amples lors de l'utilisation d'une rainureuse à galets. Boutonner les manches et les blousons. Ne pas se pencher sur la machine ou le tuyau.

Ne pas utiliser cette rainureuse à galets avec un système d'entraînement ou une machine à fileter dont la pédale de commande est endommagée ou manquante. Porter systématiquement des lunettes de sécurité afin de protéger les yeux contre les débris et objets divers.

Eloigner les mains des galets de rainurage. Ne pas porter de gants trop grands lors de l'utilisation de la rainureuse. Utiliser des porte-tubes pour soutenir le tuyau.

Lors du rainurage, éloigner les mains de l'extrémité du tuyau. Ne pas passer la main à l'intérieur du tuyau.

Préparation des tuyaux

1. Les extrémités du tuyau doivent être d'équerre. Ne pas utiliser de chalumeau découpeur.
2. L'ovalisation du tuyau ne doit pas excéder les limites de Ø extérieur indiquées au *Tableau 1*, spécifications de rainurage.

NOTA ! L'ovalisation peut être déterminée en mesurant les Ø extérieurs maximum et minimum à 90 degrés d'écart.

3. Toutes billes de soudure, dépressions et coutures éventuelles doivent être meulées à fleur sur une distance minimale de 2 po (50 mm) à partir de l'extrémité du tuyau.

NOTA ! Ne pas couper de plats à l'endroit du joint.

Longueur des tuyaux

Le Tableau A indique la longueur minimale de tuyau pouvant être rainuré, ainsi que la longueur maximale soutenable par un seul porte-tubes.

Longueurs de tuyau rainurables (en pouces)					
Ø nom.	Longueur mini	Longueur maxi	Ø nom.	Longueur mini	Longueur maxi
1	8	36	4	8	36
1¼	8	36	4½	8	32
1½	8	36	5	8	32
2	8	36	Ø 6 ext.	10	30
2½	8	36	6	10	28
3	8	36			
3½	8	36			

Tableau A – Longueurs minimales et maximales des tuyaux

▲ MISE EN GARDE Le rainurage des tuyaux de moins de 8 po de long augmente les risques d'écrasement des doigts par les galets de rainurage.

Installation des tuyaux

1. Les tuyaux d'une longueur supérieure à la longueur maximale indiquée au *Tableau A* doivent être soutenus à l'aide de deux porte-tubes. Le second porte-tubes doit être positionné aux trois quarts de la longueur du tuyau, à compter de la rainureuse à galets.

▲ MISE EN GARDE L'absence d'un second porte-tubes risque de provoquer le renversement du matériel ou la chute du tuyau.

2. Relever la poignée d'avancement et positionner le tuyau sur le galet d'entraînement et sur le porte-tubes.

3. Aligner le tuyau et le porte-tubes avec la rainureuse à galets en s'assurant que le tuyau arrive à fleur du rebord du galet d'entraînement (*Figure 6*).
4. Nivelier le tuyau en réglant le porte-tubes (systèmes d'entraînement types 300 et 535) (*Figure 7*). Voir les conseils de rainurage à la *page 28* visant les 1822 et 300 Compact.
5. Lorsque la machine tourne en **MARCHE ARRIERE**, désaxer le tuyau et le porte-tubes légèrement (½ po environ) vers l'utilisateur (*Figure 8*).

NOTA ! Lorsque le système d'entraînement tourne en **MARCHE AVANT**, désaxer le tuyau d'environ ½ po au contre de l'utilisateur (*Figure 8*).



Figure 6 – Equerrage du tuyau et du porte-tubes



Figure 7 – Nivellement du tuyau.

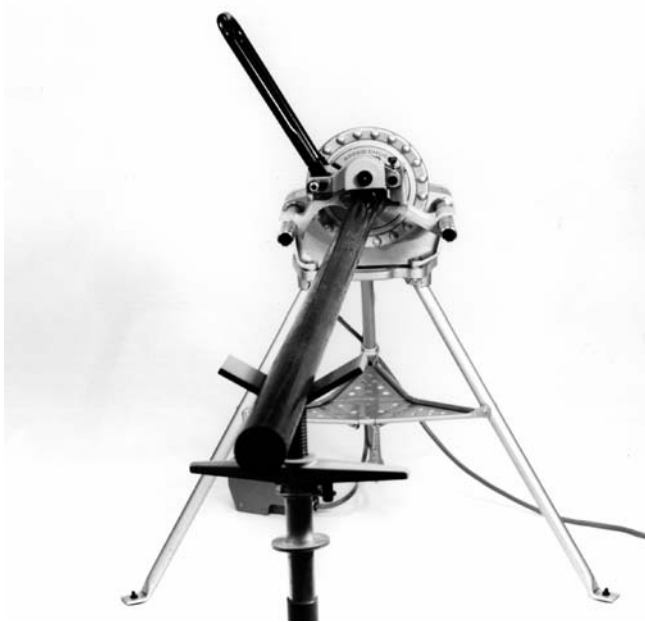


Figure 8A – Utilisation de la machine en MARCHE ARRIERE (REV)



Figure 8B – Utilisation de la machine en MARCHE AVANT (FOR)

Réglage de la profondeur de rainurage

NOTA ! Pour obtenir le diamètre de rainure approprié, il convient d'effectuer une rainure échantillon lors de chaque installation ou de changement de diamètre de tuyau.

1. Relever le levier d'avancement (Figure 9).



Figure 9 – Levier d'avancement en position relevée

2. Desserrer complètement la vis de réglage de profondeur (Figure 10).



Figure 10 – Desserrage de la vis de réglage de profondeur

3. Serrer la vis de réglage de profondeur le nombre de tours indiqué au Tableau B (Figure 11).

NOTA! Les indications du *Tableau B* sont applicables à l'utilisation des galets de rainurage standard de la 916. Voir les annotations du *Tableau D* à la page 31 pour le rainurage AWWA de 1¼ et 1½ po, ainsi que pour le rainurage des tuyaux de 1 po. Le *Tableau C* s'applique au rainurage du cuivre.

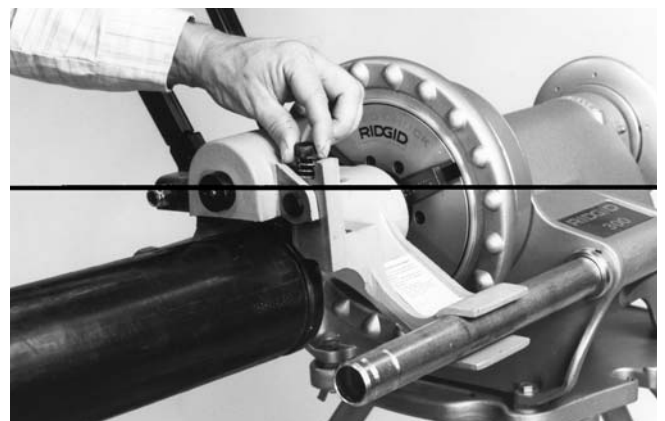


Figure 11 – Serrage de la vis de réglage de profondeur.

Référence aux diamètres de tuyau

Ø tuyau	Série 10 nombre mini. de tours.	Série 40 nombre mini. de tours
6	2 1/2	N/A
4	2 3/4	N/A
3 1/2	2 3/4	N/A
3	2 1/2	3/4
2 1/2	2 1/2	1
2	2 1/2	1 1/2
1 1/2	2 1/2	1 3/4
1 1/4	2 3/4	1 3/4

Tableau B – Diamètre de tuyaux/nombre de tours

NOTA ! Un réglage supplémentaire peut s'avérer nécessaire pour atteindre la profondeur appropriée. Le tableau ci-dessus ne doit servir que de référence.

Exécution des rainures

AVERTISSEMENT L'épaisseur des parois du tuyau ne doit pas excéder l'épaisseur maximale indiquée au Tableau II, "Épaisseur maximale et minimale des parois de tuyau".

1. Mettre l'inverseur au sens de rotation voulu, puis appuyer sur la pédale de commande du système d'entraînement ou de la machine à fileter, tout en appuyant légèrement sur le levier d'avancement.



Figure 12 – Exécution du rainurages

▲ MISE EN GARDE Si le tuyau a tendance à s'échapper du galet d'entraînement, arrêter la machine et revoir la section "Installation des tuyaux".

2. Pour aider à empêcher l'échappement du tuyau, appuyer sur le tuyau avec la main droite en l'écartant de l'utilisateur lorsque le système d'entraînement ou la machine tourne en MARCHE AVANT,

et en le ramenant vers l'utilisateur lorsque le système d'entraînement ou la machine tourne en MARCHE ARRIERE.

NOTA ! Lorsque le système d'entraînement tourne en marche avant (FOR), écarter le tuyau de l'utilisateur. Lorsque le système d'entraînement tourne en marche arrière (REV), ramener le tuyau vers l'utilisateur.

3. Lorsque le tuyau est correctement aligné et qu'il s'appuie contre le rebord du galet d'entraînement, appuyer sur la pédale de commande et continuer à appuyer sur le levier d'avancement jusqu'à ce qu'il arrive en butée.

NOTA ! Ne pas forcer le galet de rainurage supérieur. Il s'agit de maintenir une pression constante, tout en laissant le tuyau effectuer une rotation complète avant d'augmenter la pression.

4. Lorsque le levier d'avancement arrive en butée, allouer deux tours de tuyau de plus pour parfaire la rainure.
5. Lâcher la pédale de commande avant de remettre l'inverseur en position OFF (arrêt).
6. Relever le levier d'avancement et contrôler le diamètre de la rainure en se reportant au *Tableau I*.

NOTA ! Deux mesures prises à 90 degrés d'écart devraient correspondre à la côte C, ou mesurer à l'aide d'un ruban P.I.

7. Pour diminuer le diamètre des rainures, serrer la vis de réglage de profondeur. Pour augmenter le diamètre des rainures, desserrer la vis de réglage de profondeur.

NOTA ! Lorsque le diamètre de rainurage est établi, toutes rainures suivantes auront le même diamètre.

8. Vérifier périodiquement la profondeur de rainurage à l'aide d'un ruban forestier (ruban "P.I."). Le raccord devrait s'asseoir complètement dans la rainure, sans pincement ou jeu excessif.

NOTA ! Tout tuyau non conforme aux limites d'évasement stipulées par le fabricant des raccords utilisés risque de compromettre l'accouplement des tuyaux et provoquer leur rupture, ainsi que d'importants dégâts matériels. La déformation excessive ou la rupture des joints peut également provoquer des fuites au niveau des raccords. S'assurer du respect des spécifications du fabricant des raccords.

Conseils de rainurage avec la 916

1. Si le tuyau a tendance à s'échapper du galet d'entraînement, augmenter son déport.
2. Si le rebord du galet d'entraînement rase l'extrémité du tuyau, diminuer son déport.
3. En cas d'évasement excessif de l'extrémité du tuyau, baisser l'extrémité du tuyau pour le mettre au niveau de la rainureuse à galets.
4. Si le tuyau se balade ou s'échappe du galet d'entraînement, relever l'extrémité du tuyau pour le mettre au niveau de la rainureuse.
5. Les tuyaux de petite longueur (moins de trois pieds) peuvent nécessiter une légère pression pour maintenir le déport de 1/2 po requis.

NOTA ! Lors du rainurage d'un tuyau de moins de 36 pouces de long sur les machines à fileter type 300 Compact ou 1822-I montées sur support pliant, mettre le tuyau dans l'alignement de l'arbre d'entraînement de la 916 (Figure 13).

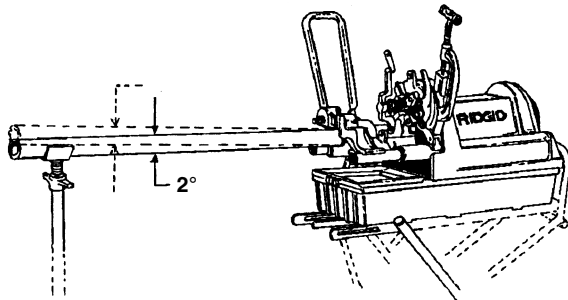


Figure 13 – Alignement du tuyau sur la machine

Rainurage des tuyaux de petite longueur

1. Lorsque la machine tourne en marche avant, pousser le tuyau au contre de l'utilisateur.
2. Lorsque la machine tourne en marche arrière, ramener le tuyau vers l'utilisateur.

▲ MISE EN GARDE Ne pas tenter de rainurer un tuyau de moins de 8 po de long, car cela augmenterait les risques d'écrasement des doigts par les galets de rainurage. Ne pas mettre la main dans l'extrémité des tuyaux.

Dépose et installation

Dépose et installation du galet de rainurage

NOTA ! Puisque la géométrie des jeux de galets détermine la dimension de rainurage, des jeux de galets spécifiques sont nécessaires pour le rainurage des tuyaux suivants :

Tuyaux en cuivre type K, L, M et DWV Ø 2 à 6 po

Tuyaux séries 10 et 40 Ø 1 po

Tuyaux série 10 Ø 1 1/4 à 6 po et série 40 Ø 1 1/4 à 3 po

Tuyaux série 40 Ø 2 à 3 po et AWWA série 10 Ø 2 à 6 po

Tuyaux AWWA séries 10 et 40 Ø 1 1/4 à 1 1/2 po

▲ MISE EN GARDE S'assurer que le système d'entraînement ou la machine à fileter est débranché(e) avant tout changement de jeux de galets ou dépose de la rainureuse à galets.

1. Enlever le cerclip qui retient l'axe de pivotement (Figure 14).

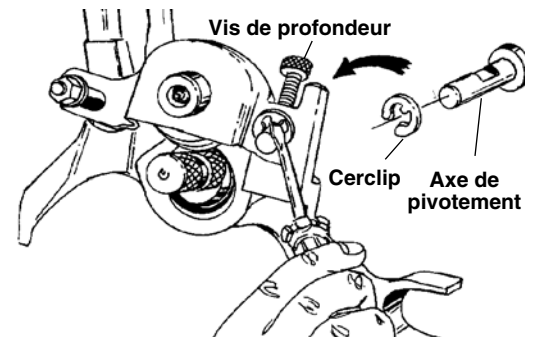


Figure 14 – Retrait du cerclip

2. Repousser l'axe de pivotement jusqu'à buter.
3. Desserrer la vis de réglage de profondeur.
4. Retirer l'axe de pivotement.
5. Relever le logement du galet de rainurage (Figure 15).

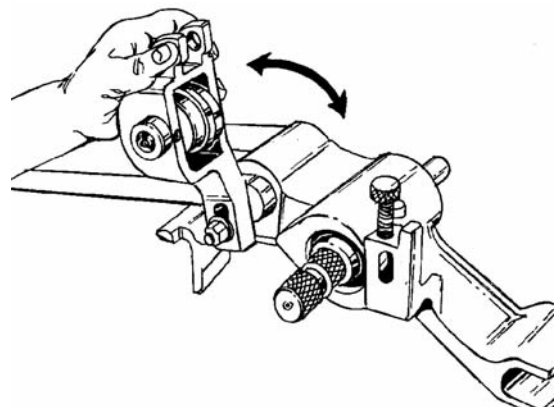


Figure 15 – Relevage du logement du galet de rainurage

6. Desserrer la vis de blocage de l'axe du galet de rainurage (Figure 16).

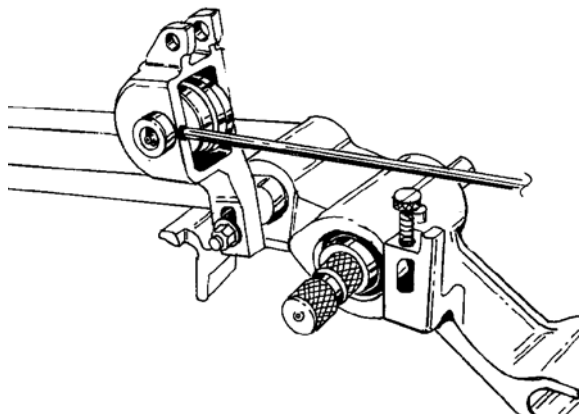


Figure 16 – Desserrage de la vis de blocage

7. Retirer l'axe du galet de rainurage et le galet de rainurage.
8. Installer le galet de rainurage approprié dans le logement. La partie 'rainurage' du galet doit être orientée vers le logement principal.
9. S'assurer que la vis de blocage s'engage dans la dépression de l'axe avant de la serrer.
10. Réinstaller le logement du galet en inversant les étapes 5 à 1.

Dépose et installation du galet d'entraînement

1. Enlever les quatre boulons qui servent à fixer la plaque de retenue du palier arrière, puis retirer la plaque (Figure 17).

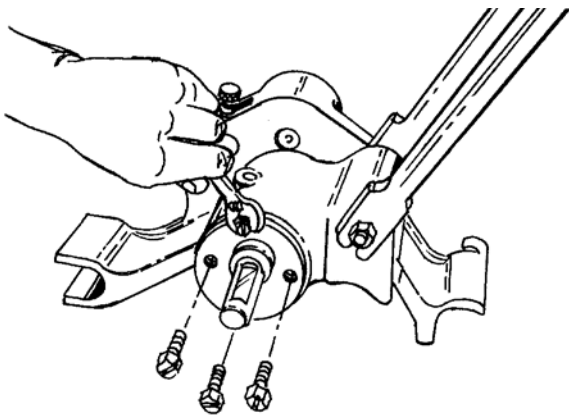


Figure 17 – Dépose de la plaque de retenue

2. A l'aide d'un maillet, frapper délicatement sur l'arbre d'entraînement pour dégager l'arbre et son palier arrière de l'ensemble.
3. Retirer l'arbre d'entraînement et son palier de l'ensemble, puis installer l'arbre approprié.

NOTA ! Les arbres d'entraînement de rechange sont livrés avec palier arrière.

Rainurage du cuivre avec la 916

Préparation des tuyaux

1. Les extrémités du tuyau en cuivre doivent être coupées d'équerre.
2. L'ovalisation maximale des tuyaux doit respecter les limites de diamètre extérieur indiquées au tableau des spécifications de rainurage.

NOTA ! Déterminer l'ovalisation en mesurant les diamètres maximum et minimum du tuyau à 90 degrés d'écart. S'assurer que des galets de rainurage et d'entraînement pour cuivre sont installés avant de tenter le rainurage du cuivre.

Exécution du rainurage

1. Régler la vis de profondeur à la profondeur requise (voir le Tableau C ci-dessous).

Tableau de réglage de profondeur pour jeux de galets à cuivre

Diamètre	Nombre de tours			
	K	L	M	DWV
2"	4	4 ¹ / ₄	4 ¹ / ₂	—
2 ¹ / ₂ "	3 ¹ / ₂	4	4 ¹ / ₄	—
3"	3 ¹ / ₄	3 ¹ / ₂	4 ¹ / ₄	4 ³ / ₄
4"	2 ¹ / ₂	3 ¹ / ₄	3 ¹ / ₂	4 ¹ / ₂
5"	1 ³ / ₄	2 ³ / ₄	3 ¹ / ₄	4 ¹ / ₄
6"	1 ¹ / ₄	2 ¹ / ₂	3	4 ¹ / ₄

Tableau C – Tableau de réglage de profondeur pour tuyaux en cuivre

NOTA ! Un réglage supplémentaire peut s'avérer nécessaire pour atteindre la profondeur appropriée. Le tableau ci-dessus ne doit servir que de référence.

2. Aligner le tuyau en cuivre et le porte-tubes avec la rainureuse à galets en s'assurant que le tuyau arrive à fleur du rebord du galet d'entraînement.
3. Nivelier le tuyau en cuivre en réglant le porte-tubes. Le tuyau en cuivre et la machine doivent être de niveau.
4. Suivre les instructions de la section "Exécution du rainurage" à la page 28.

Rainurage des tuyaux d'acier de petit diamètre

1. Régler la vis de profondeur à la profondeur requise (voir le *Tableau D* ci-dessous).

Diamètre	Série 10 Nombre minimum de tours	Série 40 Nombre minimum de tours
1"	5	4 ¹ / ₄
1 ¹ / ₄ "	3 ¹ / ₂	3
1 ¹ / ₂ "	3 ³ / ₄	3 ¹ / ₂

Tableau D

NOTA ! Un réglage supplémentaire peut s'avérer nécessaire pour atteindre la profondeur appropriée. Le tableau ci-dessus ne doit servir que de référence.

2. Suivre les instructions de la section "Exécution du rainurage" à la *page 28*.

NOTA! Les diamètres 1¹/₄ et 1¹/₂ po indiqués au *Tableau D* impliquent l'utilisation du jeu de galets AWWA *optionnel*. Consulter le *Tableau B* pour le réglage des jeux de galets *standard*.

Accessoires

▲ MISE EN GARDE Seuls les produits RIDGID suivants sont prévus pour fonctionner avec la rainureuse à galets modèle 916. Il peut être dangereux de tenter d'adapter des accessoires prévus pour d'autres types d'appareil sur cette rainureuse à galets.

Utiliser exclusivement les accessoires ci-dessous afin d'éviter les risques d'accident grave.

Réf. Catalogue	Modèle	Accessoires (916)
45347	—	Jeu de galets série 10 et 40 (en option)
45352	—	Jeu de galets cuivre (en option)
69667	—	Jeu de galets AWWA Ø 1 ¹ / ₄ à 1 ¹ / ₂ po (en option)
69692	—	Jeu de galets AWWA Ø 2 à 6 po (en option)
67662	—	Support pour 300 Compact
76822	—	Ruban diamétrique américain
76827	—	Ruban diamétrique métrique

NOTA : Un jeu de galets comprend un galet de rainurage et un galet d'entraînement.

Consulter le catalogue Ridge Tool pour la liste des porte-tubes disponibles.

Entretien

▲ MISE EN GARDE S'assurer que la machine est débranchée avant toute intervention d'entretien ou de réglage.

Lubrification

Arbre d'entraînement et paliers d'axe de galet de rainurage

Après chaque changement de galets, utiliser de la graisse universelle pour lubrifier les graisseurs de l'axe de galet et du logement de galets inférieur.

Stockage de la machine

▲ MISE EN GARDE Tout matériel électrique doit être rangé à l'intérieur ou bien protégé en cas de pluie. Stocker la rainureuse dans un local fermé à clé et hors de la portée des enfants et des individus non accoutumés aux rainureuses à galets. Cette machine peut être dangereuse dans les mains d'un utilisateur sans formation adéquate.

Service après-vente

L'entretien et la réparation de cette rainureuse à galets doivent être confiés à un réparateur qualifié. La machine doit être confiée à un réparateur RIDGID indépendant ou renvoyée à l'usine. Toutes réparations effectuées par les services techniques Ridge sont garanties contre les vices de matériel et de main d'œuvre.

▲ MISE EN GARDE Des pièces de rechange identiques aux pièces d'origine doivent être utilisées lors de toute intervention sur cette machine. Le non-respect de cette consigne pourrait augmenter les risques d'accident grave.

En cas de questions concernant l'entretien ou la réparation de cet appareil, veuillez utiliser les coordonnées suivantes :

Ridge Tool Company
 Technical Service Department
 400 Clark Street
 Elyria, Ohio 44035-6001
 Tél. : (800) 519-3456
 Mél : rtctechservices@emerson.com

Pour obtenir les coordonnées du réparateur agréé le plus proche, appeler la Ridge Tool Company au (800) 519-3456 ou consulter le site <http://www.RIDGID.com>

Tableau I. Spécifications de rainurage standard

NOTA ! Dimensions américaines.

Ø NOMINAL	Ø TUYAU		EP. MINI DES PAROIS	SIEGE DE JOINT +.015/-030	LARGUEUR DE RAINURE +.030/-015	DIAMETRE DE RAINURE		PROF. NOM. DE RAINURE
	EXT.	INT.				EXT.	TOL.	
1	1.315	+0.013 -0.015	.065	.625	.281	1.190	+0.000 -0.015	.063
1¼	1.660	+0.016 -0.015	.065	.625	.281	1.535	+0.000 -0.015	.063
1½	1.900	+0.019 -0.015	.065	.625	.281	1.775	+0.000 -0.015	.063
2	2.375	+0.024 -0.016	.065	.625	.344	2.250	+0.000 -0.015	.063
2½	2.875	+0.029 -0.016	.083	.625	.344	2.720	+0.000 -0.015	.078
Ø 3 EXT.	3.00	+0.030 -0.018	.083	.625	.344	2.845	+0.000 -0.015	.078
3	3.50	+0.030 -0.018	.083	.625	.344	3.344	+0.000 -0.015	.078
3½	4.00	+0.030 -0.018	.083	.625	.344	3.834	+0.000 -0.015	.083
4	4.50	+0.035 -0.020	.095	.625	.344	4.334	+0.000 -0.015	.083
4½	5.00	+0.040 -0.020	.095	.625	.344	4.834	+0.000 -0.015	.083
5	5.563	+0.050 -0.022	.109	.625	.344	5.395	+0.000 -0.015	.084
Ø 6 EXT.	6.00	+0.050 -0.022	.109	.625	.344	5.830	+0.000 -0.015	.085
6	6.625	+0.050 -0.024	.109	.625	.344	6.455	+0.000 -0.015	.085

1. Selon AWWA C606-87

2. Cette profondeur minimale de rainurage n'est qu'indicative. Ne pas utiliser cette profondeur de rainurage pour établir sa conformité.

Tableau II. Epaisseurs maximales et minimales des parois de tuyau

NOTA ! Dimensions américaines.

Ø tuyau	TUYAUX EN ACIER AU CARBONE OU ALUMINIUM		TUYAUX INOX		TUYAUX PVC	
	Epaisseur des parois		Epaisseur des parois		Epaisseur des parois	
	Mini.	Maxi.	Mini.	Maxi.	Mini.	Maxi.
1"	.065	.133	.065	.109	.133	.133
1¼"	.065	.140	.065	.140	.140	.140
1½"	.065	.145	.065	.145	.145	.200
2"	.065	.154	.065	.154	.154	.218
2½"	.083	.203	.083	.188	.203	.276
3"	.083	.216	.083	.188	.216	.216
3½"	.083	.120	.083	.188	.226	.226
4"	.083	.120	.083	.188	.237	.237
5"	.109	.134	.109	.188	.258	.258
6"	.109	.134	.109	.188	.280	.280

Tableau III. Dépannage

Tableau de dépannage

PROBLEME	CAUSE	REMEDE
Rainure trop étroite ou trop large	Galets de rainurage et d'entraînement de mauvaise dimension Galets de rainurage et d'entraînement mal appareillés Galets de rainurage et/ou galets d'entraînement usés	Installer des galets de rainurage et d'entraînement de taille appropriée Appareiller les galets de rainurage et d'entraînement Remplacer le galet usé
Rainure non perpendiculaire à l'axe du tuyau	Tuyau tordu Extrémité du tuyau non d'équerre	Utiliser une longueur de tuyau rectiligne Equerrer l'extrémité du tuyau
Dérapiage du tuyau durant le rainurage	Tuyau non de niveau Axe du tuyau non décalé de 1/2 degré par rapport à l'axe du galet d'entraînement Rainureuse non de niveau	Mettre le tuyau de niveau en réglant le porte-tubes Déporter le tuyau de 1/2 degré Mettre la rainureuse de niveau
Evasement de l'extrémité rainurée du tuyau	Tuyau non de niveau	Mettre le tuyau de niveau en réglant le porte-tubes
Déplacement latéral du tuyau sur le galet d'entraînement durant son rainurage	Tuyau tordu Extrémité du tuyau non d'équerre par rapport à son axe	Utiliser un tuyau rectiligne Equerrer l'extrémité du tuyau
Basculement latéral du tuyau sur le galet d'entraînement durant son rainurage	Porte-tubes trop près de l'extrémité du tuyau Extrémité du tuyau aplatie ou endommagée Points durs ou points de soudure plus résistants que le tuyau Manque de pression sur le levier d'avancement Régime de rotation du système d'entraînement au-delà de 36 t/min Rouleaux de porte-tubes mal positionnés pour le diamètre de tuyau en question	Ramener le porte-tubes au quart de la longueur du tuyau Tronçonner la partie endommagée du tuyau Appuyer un peu plus sur le levier d'avancement Appuyer un peu plus sur le levier d'avancement Ramener la vitesse de rotation à 36 t/min Ajuster les porte-tubes en fonction du diamètre de tuyau
Aucun rainurage du tuyau par la rainureuse	Dépassement de l'épaisseur de parois maximale Mauvais galets Tuyau trop dur Vis de réglage mal calée Manque de couple au niveau du système d'entraînement	Consulter le tableau des capacités de rainurage Installer les galets appropriés Remplacer le tuyau Régler la profondeur Utiliser un système d'entraînement type RIDGID n° 300 à 36 t/min
Diamètre de rainurage insuffisant	Dépassement du diamètre maximal de tuyau Galets de rainurage et d'entraînement mal appareillés Vis de réglage de profondeur mal réglée	Utiliser le diamètre de tuyau prévu Appareiller les galets de rainurage et galets d'entraînement Régler la profondeur de rainurage

Tableau III. Dépannage (suite)

Tableau de dépannage

PROBLEME	CAUSE	REMEDE
Dérapage du tuyau sur le galet d'entraînement	Manque de pression sur le levier d'avancement Galet d'entraînement encrassé ou usé	Appuyer un peu plus sur le levier d'avancement Nettoyer ou remplacer le galet d'entraînement
Immobilisation du tuyau en cours de rainurage	Manque de couple au niveau du système d'entraînement Mandrin non serré sur l'arbre d'entraînement	Utiliser soit le système d'entraînement RIDGID n° 300 de 36 t/min ou les machines à fileter n° 535 ou 1822-I. Serrer le mandrin
Soulèvement du tuyau ou renversement de la rainureuse	Porte-tubes trop près de la rainureuse	Ramener le porte-tubes à un quart de la distance de l'extrémité du tuyau

Tableau IV. Spécifications de rainurage pour tuyaux de cuivre

NOTA ! Dimensions américaines

1	2		3	4	5	6	7	8
ø Nominal (en pouces)	ø extérieur		A Siège A	B Largeur de rainure	C ø rainure	D Réf. de profondeur de rainure	T Ep. de parois mini. admissible	Evasement maxi. admissible
	Nominal	Tolérance	±.03	+03 -00	+00 -02			
2"	2.125	±0.002	0.610	0.300	2.029	0.048	0.064	2.220
2½"	2.625	±0.002	0.610	0.300	2.525	0.050	0.064	2.720
3"	3.125	±0.002	0.610	0.300	3.025	0.050	DWV	3.220
4"	4.125	±0.002	0.610	0.300	4.019	0.053	DWV	4.220
5"	5.125	±0.002	0.610	0.300	5.019	0.053	DWV	5.220
6"	6.125	±0.002	0.610	0.300	5.999	0.063	DWV	6.220



Ranuradora a rodillos portátil No. 916

para uso con el Accionamiento 300, o las
Roscadoras 300 Compacta, 535 ó 1822-I



Índice

Información general de seguridad	
Seguridad en la zona de trabajo	37
Seguridad eléctrica	37
Seguridad personal	37
Uso y cuidado de la máquina.....	38
Reparaciones.....	38
Información específica de seguridad	
Seguridad del interruptor de pie.....	38
Seguridad de la Ranuradora a rodillos.	39
Descripción, especificaciones y equipo estándar	
Descripción	39
Especificaciones	39
Equipo estándar.....	40
Modelos de Ranuradora a rodillos No. 916	40
Instrucciones para ensamblar la Ranuradora a Rodillos	40
Montaje de la Ranuradora a rodillos No. 916 sobre el Accionamiento Motorizado No. 300	40
Instalación del adaptador en el árbol de transmisión de la 916 para montarle la Máquina Roscadora 1822-I, 535 ó 300 Compacta	41
Instalación de la Ranuradora 916 en una Máquina Roscadora No. 535A, 535M, 1822-I ó 300 Compacta montadas en un Soporte No. 100, 150 ó 200	41
Instalación de la 916 en la Máquina Roscadora No. 1822-I montada en un Soporte 1406.....	41
Instalación de la 916 en la Máquina Roscadora No. 300 Compacta montada en un Soporte 250	41
Revisión de la máquina	
Preparación de la máquina y de la zona de trabajo.....	43
Funcionamiento de la Ranuradora a rodillos No. 916	
Preparación del tubo	44
Longitud de los tubos.....	44
Montaje del tubo	44
Regulación de la profundidad del ranurado	45
Formación de la ranura a rodillo	46
Consejos para ranurar a rodillo con la No. 916	47
Ranurado de tubos cortos	47
Extracción e instalación	
Extracción e instalación del rodillo ranurador	48
Extracción e instalación del rodillo de accionamiento	48
Ranurado en cobre con la No. 916	
Preparación del tubo	49
Formación de la ranura	49
Ranurado de tubos de acero de menor diámetro	49
Accesorios	49
Instrucciones para el mantenimiento	
Lubricación.....	50
Almacenamiento de la máquina.....	50
Mantenimiento y reparaciones	50
Tabla I. Especificaciones para el ranurado estándar	51
Tabla II. Espesores máximos y mínimos de pared de tubo	51
Tabla III. Detección de averías	52
Tabla IV. Especificaciones para ranurar tubos de cobre	53
Garantía vitalicia	carátula posterior

Información general de seguridad

¡ADVERTENCIA! Lea y comprenda todas las instrucciones. Pueden ocurrir golpes eléctricos, incendios y/u otras lesiones personales graves si no se siguen todas las instrucciones detalladas a continuación.

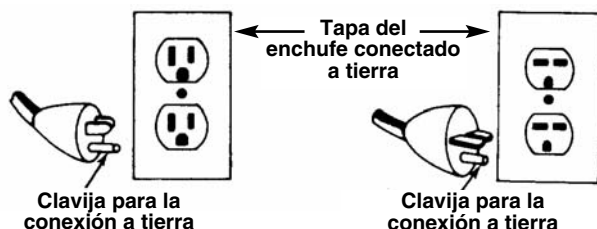
¡GUARDE ESTAS INSTRUCCIONES!

Seguridad en la zona de trabajo

- **Mantenga su zona de trabajo limpia y bien iluminada.** Los bancos de trabajo desordenados y las zonas oscuras invitan a que se produzcan accidentes.
- **No haga funcionar máquinas eléctricas en atmósferas explosivas, como por ejemplo en la presencia de líquidos, gases o polvos inflamables.** Los motores eléctricos generan chispas que pueden encender el polvo o los gases.
- **Cuando haga funcionar una máquina, mantenga apartados a los espectadores, niños y visitantes.** Las distracciones pueden hacerle perder el control de la máquina.
- **Mantenga el piso seco y libre de materiales resbaladizos, como aceites.** Los suelos resbalosos provocan accidentes.

Seguridad eléctrica

- **Las máquinas provistas de una conexión a tierra deben ser enchufadas a un tomacorriente debidamente instalado y conectado a tierra de acuerdo con todos los códigos y reglamentos. Jamás extraiga del enchufe de la máquina la tercera clavija que conduce a tierra ni lo modifique de manera alguna. No use ningún tipo de enchufes adaptadores. Consulte con un electricista calificado si no puede determinar acaso el tomacorriente está debidamente conectado a tierra.** En la eventualidad de que la máquina sufra una avería eléctrica o de otro tipo, la conexión a tierra proporciona una vía de baja resistencia para conducir la electricidad lejos del usuario.



- **Evite que su cuerpo haga contacto con superfi-**

cies conectadas a tierra. Si su cuerpo queda conectado a tierra, aumenta el riesgo de que sufra un choque eléctrico.

- **No exponga las máquinas eléctricas a la lluvia o a condiciones mojadas.** Si agua penetra en un aparato eléctrico, aumenta el riesgo de que se produzca un golpe eléctrico.
- **No maltrate el cordón. Nunca use el cordón para sacar el enchufe del tomacorriente. Mantenga el cordón lejos de fuentes de calor, aceite, bordes cortantes o piezas móviles.** Recambie los cordones dañados de inmediato. Los cordones en mal estado aumentan los riesgos de que se produzca un choque eléctrico.
- **Al hacer funcionar una máquina a motor a la intemperie, emplee un cordón de extensión fabricado para uso exterior y rotulado "W-A" o "W".** Estos cordones han sido diseñados para su empleo al aire libre y reducen el riesgo de que se produzca un choque eléctrico.
- **Mantenga todas las conexiones eléctricas secas y levantadas del suelo. No toque los enchufes o la máquina con las manos mojadas.** De esta manera se evita un choque eléctrico.
- **Use solamente un cordón de extensión de tres alambres equipado con un enchufe de tres clavijas para conexión a tierra, y tomacorrientes tripolares que acojan a las tres clavijas del enchufe de la máquina.** Otros alargadores no conectarán la máquina a tierra y aumentarán el riesgo de que se produzca un choque eléctrico.
- **Use cordones de extensión apropiados.** (Vea la tabla). Una dimensión insuficiente del conductor causará una caída excesiva del voltaje y una pérdida de potencia.

Dimensión mínima de alambre para cordones de extensión			
Amperios en la placa de características	Longitud total (en pies)		
	0-25	26-50	51-100
0-6	18 AWG	16 AWG	16 AWG
6-10	18 AWG	16 AWG	14 AWG
10-12	16 AWG	16 AWG	14 AWG
12-16	14 AWG	12 AWG	NO SE RECOMIENDA

Seguridad personal

- **Manténgase alerta, preste atención a lo que está haciendo y use sentido común cuando trabaje con una máquina a motor. No la use si está cansado o se encuentra bajo la influencia de drogas, alcohol o medicamentos. Sólo un breve des-**

cuido mientras hace funcionar una máquina motorizada puede resultar en lesiones personales graves.

- **Vístase adecuadamente. No lleve ropa suelta ni joyas. Amarre una cabellera larga. Mantenga su cabello, ropa y guantes apartados de las piezas en movimiento.** La ropa suelta, las joyas o el pelo largo pueden engancharse en las piezas móviles.
- **Evite echar a andar la máquina sin querer. Antes de enchufarla, asegure que su interruptor se encuentre en la posición OFF (apagado).** Se producen accidentes cuando se enchufan máquinas que tienen su interruptor en la posición de encendido (ON).
- **Antes de colocar el interruptor en la posición de ON (encendido), extraiga todas las llaves de regulación.** Una llave mecánica o una llave que se haya dejado acoplada a una pieza giratoria de la máquina puede ocasionar lesiones corporales.
- **No trate de extender su cuerpo para alcanzar algo. Mantenga sus pies firmes en tierra y un buen equilibrio en todo momento.** Al mantener el equilibrio y los pies firmes, tendrá mejor control sobre la máquina en situaciones inesperadas.
- **Use equipo de seguridad. Siempre lleve protección para la vista.** Cuando las condiciones lo requieran, debe usar mascarilla para el polvo, calzado de seguridad antideslizante, casco duro o protección para los oídos.

Uso y cuidado de la máquina

- **Si el interruptor de ENCENDIDO/APAGADO no funciona, no use la máquina.** Cualquier máquina que no pueda ser controlada mediante su interruptor es peligrosa y debe ser reparada.
- **Antes de efectuar trabajos de regulación, de cambiar accesorios o de almacenar la máquina, desconecte el enchufe de la fuente de corriente eléctrica.** Este tipo de seguridad preventiva reduce el riesgo de poner la máquina en marcha involuntariamente.
- **Almacene las máquinas que no estén en uso fuera del alcance de los niños y de otras personas sin entrenamiento.** Las máquinas son peligrosas en las manos de usuarios no capacitados.
- **Verifique si las piezas móviles están desalineadas o agarrotadas, si hay piezas quebradas y si existe cualquiera otra condición que pueda afectar el funcionamiento de la máquina.** En el caso de estar dañada, antes de usar la máquina, hágala componer. Numerosos accidentes son cau-

sados por máquinas que no han recibido un mantenimiento adecuado.

- **Solamente use accesorios recomendados para su modelo.** Los accesorios que son los adecuados para una máquina pueden ser peligrosos acoplados a otra máquina.
- **Mantenga los mangos limpios y secos, libres de aceite y grasa.** Esto permite un mejor control de la máquina.

Reparaciones

- **Los trabajos de reparación a la máquina sólo deben ser efectuados por personal de reparación calificado.** El mantenimiento o reparaciones practicados por personal no calificado puede ocasionar lesiones.
- **Cuando le haga mantenimiento a la máquina, debe usar únicamente repuestos o piezas de recambio idénticas. Siga las instrucciones en la Sección de Mantenimiento en este manual.** Pueden producirse choques eléctricos o lesiones si no se emplean piezas y partes autorizadas o si no se siguen las instrucciones de mantenimiento.

Información específica de seguridad

▲ ADVERTENCIA

Lea este Manual del Operario detenidamente antes de usar la Ranuradora a Rodillos. Pueden producirse choques eléctricos, incendios y/o lesiones personales graves si no se comprenden y siguen las instrucciones de este manual.

Si tiene cualquier pregunta, llame al Departamento de Servicio Técnico de Ridge Tool Company al (800) 519-3456.

▲ ADVERTENCIA Seguridad del interruptor de pie

El uso de una máquina roscadora o de un accionamiento motorizado sin el interruptor de pie aumenta el riesgo de que sufra una lesión corporal grave. El interruptor de pie permite un mejor control de la máquina porque con sólo quitar el pie se apaga el motor. Si la ropa se le llegara a enganchar en la máquina, continuará enrollándose tirándolo a usted hacia la máquina. Debido a que la máquina dispone de un elevado par de torsión, la ropa misma puede envolverse alrededor del brazo u otras partes del cuerpo con suficiente fuerza como para triturarle o quebrarle los huesos.

Seguridad de la Ranuradora a Rodillos

- **La Ranuradora a Rodillos ha sido fabricada para ranurar tubos y cañería. Para saber como usarla, siga las instrucciones del Manual del Operario.** Otros usos pueden aumentar el riesgo de que se produzcan lesiones.
- **Mantenga sus manos apartadas de los rodillos ranuradores. No se ponga guantes que le queden sueltos cuando haga funcionar la unidad.** Los dedos pueden quedar aprisionados entre los rodillos ranuradores y los del accionamiento.
- **Nunca ranure trozos de tubería más cortos que los indicados.** Se corre el riesgo de que se aplaste los dedos en el rodillo ranurador.
- **Instale la ranuradora en una superficie plana y nivelada. Asegure que la máquina propulsora, el soporte y la ranuradora estén estabilizados.** Esto evitará que la unidad se vuelque.
- **No lleve ropa suelta. Mantenga las mangas y las chaquetas abotonadas. No extienda su cuerpo sobre la máquina ni el tubo.** La ropa se le puede enganchar en el tubo resultando en graves lesiones personales.
- **No use esta Ranuradora a rodillos con un Accionamiento Motorizado o una Máquina Roscadora a los que les falta su interruptor de pie.** El interruptor de pie es un dispositivo de seguridad diseñado para evitar lesiones graves.
- **Asegure que la Ranuradora a rodillos esté firmemente asegurada al accionamiento motorizado o a la máquina roscadora. Siga cuidadosamente los procedimientos para instalarla.** Así se evita la caída del tubo o de la Ranuradora.
- **Sujete los tubos correctamente con portatubos. Use dos portatubos cuando ranure tubos de más de 36 pulgadas de largo.** Así se evita que la unidad se vuelque.
- **Sólo emplee accionamientos motorizados y máquinas roscadoras que funcionan a un máximo de 58 rpm.** Las máquinas más veloces resultan peligrosas.
- **Cuando el interruptor de pie no se use, trábelo con el pestillo.** (Vea la Figura 1). Esto evita que la máquina se eche a andar sin querer.

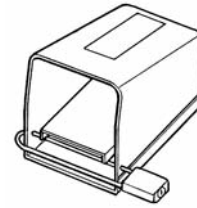


Figura 2 – Interruptor de pie con pestillo

Descripción, especificaciones, equipo estándar y accesorios

Descripción

La Máquina Ranuradora a Rodillos No. 916 de RIDGID labra ranuras estandarizadas en tubos de acero inoxidable y aluminio. La No. 916, portátil y liviana, ranura tubería Serie 10 de entre 1¼ a 6 pulgadas de diámetro y Serie 40, de entre 1¼ y 3 pulgadas. También se la puede adaptar para ranurar tubería Serie 10 de 1 pulgada, Serie 40 de 1 pulgada y tubos de cobre tipos K, L, M y DWV de 2 a 6 pulgadas mediante un cambio de rodillos. Las ranuras las forma un rodillo ranurador que se introduce dentro de un rodillo de accionamiento según las especificaciones requeridas para fabricar sistemas de acoplamiento mecánicos. La única regulación que es necesario efectuar es la de la profundidad de la ranura.

La Ranuradora a Rodillos No. 916 fue diseñada para usarse específicamente con el Accionamiento motorizado RIDGID No. 300 y las máquinas roscadoras 300 Compacta, 535M, 535A y 1822-I. Se requiere un modelo 916 distinto para cada tipo de accionamiento o alternativa de montaje en particular.

⚠ CUIDADO Cuando se usa correctamente, el Modelo 916 forma ranuras cuyas dimensiones se encuentran dentro de las normas AWWA C606-87. La selección de materiales y métodos de unión o junta apropiados es responsabilidad del diseñador y/o del instalador del sistema. Antes de iniciarse cualquier instalación, deben evaluarse cuidadosamente las condiciones ambientales específicas bajo las que estos materiales prestarán servicio, incluyendo las condiciones químicas y las térmicas.

Especificaciones

Capacidad de ranurado

- tubos Serie 10 de 1¼ a 6 pulgs.
- tubos Serie 40 de 1¼ a 3 pulgs.

(Vea la Tabla II para los espesores de pared)

- tubos de cobre de 2 a 6 pulgs., Tipos K, L, M, DWV
- tubos Serie 10 de 1 pulg.
- tubos Serie 40 de 1 pulg.

Regulación de la profundidadtornillo de regulación

Mando.....mecanismo de manivela de golpe simple, incorporado

Accionamientos motorizadosAccionamiento motorizado No. 300, Máquina Roscadora 1822-I, Máquinas Roscadoras 535M ó 535A, Máquina Roscadora 300 Compacta

Peso33 libras

Equipo estándar

Rodillo de ranurado1¼ a 6 pulg. (1¼ a 3 pulg. para Serie 40, 6 pulg. para Serie 10)

Rodillo de accionamiento1¼ a 6 pulg. (1¼ a 3 pulg. para Serie 40, 6 pulg. para Serie 10)

Mango de alimentacióntubular

Adaptador para la barra de accionamiento(si es necesario)

Modelos de Ranuradora a Rodillos No. 916

No. en el catálogo	Modelo No.	Descripción	Peso	
			Lb.	Kg.
45007	916	Ranuradora para el Accionamiento motorizado 300	33	15,0
46852	916	Ranuradora de tubería de cobre para el Accionamiento motorizado 300	34	15,5
60382	916	Ranuradora para la Máquina Roscadora 535	33	15,0
48307	916	Ranuradora para la Roscadora 1822	33	15,0
48307	916	Ranuradora para la Roscadora 300 Compacta montada en Soporte 100, 150 ó 200	33	15,0
45007	916	Ranuradora para la Roscadora 300 Compacta montada en Soporte 250 (también requiere el Caballete Adaptador 67662)	33	15,0
Accessories				
45347	—	Juego de rodillos para tubos Serie 10 y 40 de 1 pulg. (opcional)	6	2,6
45352	—	Juego de rodillos para tubos de cobre (opcional)	6	2,6
69667	—	Juego de rodillos para AWWA de 1¼ a 1½ pulg. (opcional)	6	2,6
69692	—	Juego de rodillos para AWWA de 2 a 6 pulg.	6	2,6
67662	—	Caballete adaptador para Roscadora 300 Compacta	30	13,6
76822	—	Cinta inglesa para medir diámetros	0.3	0,1
76827	—	Cinta métrica para medir diámetros	0.3	0,1

Instrucciones para ensamblar la Ranuradora a Rodillos

⚠ ADVERTENCIA



La Ranuradora a Rodillos 916 sólo debe usarse con el accionamiento motorizado y las máquinas roscadoras siguientes:

- **Accionamiento motorizado No. 300 (38 y 57 rpm)**
- **Roscadora No. 535 (38 y 54 rpm)**
- **Roscadora No. 1822**
- **Roscadora Automática No. 535A**
- **Roscadora 300 Compacta**

Emplee sólo el accionamiento motorizado y las máquinas roscadoras que funcionen a un máximo de 58 rpm. Las máquinas más veloces son peligrosas y aumentan el riesgo de lesiones.

Es necesario ensamblar la Ranuradora a Rodillos correctamente para evitar lesiones graves. Deben seguirse los siguientes procedimientos:

Montaje sobre el Accionamiento Motorizado No. 300

1. Saque el carro u otros accesorios acoplados al Accionamiento Motorizado 300.
2. Abra por completo el mandril delantero del accionamiento motorizado.
3. Coloque la 916 sobre el riel más lejano del carro y bájela sobre el riel más cercano (Figura 2).
4. Alinee las caras planas con muescas del árbol de transmisión con las mordazas del mandril del Accionamiento Motorizado 300.
5. Cierre y apriete el mandril delantero contra el árbol de transmisión.



Figura 2 – Montaje sobre el Accionamiento motorizado No. 300

Instalación del adaptador en el árbol de transmisión de la 916 para montarle la Máquina Roscadora 1822-I, 535 ó 300 Compacta

iNOTA! Debe instalarse un adaptador en la barra de transmisión de la Ranuradora a Rodillos No. 916 cuando se usen las máquinas roscadoras 535A, 535M, 1822-I ó la 300 Compacta como impulsoras.

Instalación del adaptador en la transmisión

1. Coloque el adaptador en el árbol de transmisión de la Ranuradora. Alinee los tornillos de retención con las caras planas en el árbol de transmisión y apriete los tornillos.

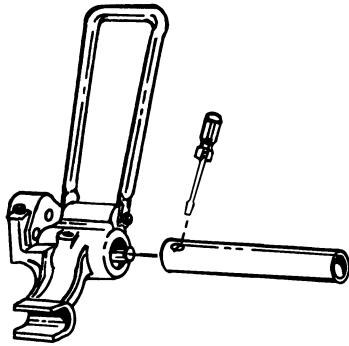


Figura 3 – Apriete los tornillos de retención

Instalación de la Ranuradora 916 en una Máquina Roscadora No. 1822-I, 535, ó 300 Compacta montada en Soportes No. 100, 150 ó 200

iNOTA! Las máquinas roscadoras 535 se usan con el Modelo 916 cuyo número en el Catálogo es el 60382. Acoplada a la ranuradora viene una placa de montaje que sienta a la unidad sobre los rieles de la 535.

Las máquinas roscadoras 1822-I y 300 Compacta se usan con el Modelo 916 cuyo número en el Catálogo es el 48307. El alojamiento del rodillo inferior fue hecho específicamente para el montaje de los rieles de estas máquinas.

1. Coloque el carro hacia el mandril delantero y aleje las herramientas en el carro hacia atrás.

⚠ CUIDADO Ponga el escariador dentro del cabezal de terrajas para evitar el contacto involuntario.

2. Abra el mandril delantero por completo.
3. Siente la 916 sobre el riel más lejano, luego bájela hacia el riel más cercano (Figura 4).
4. Coloque la base de tal forma que la barra de trans-

misión se meta en el mandril abierto. Apriete el mandril delantero contra la barra de transmisión.

⚠ ADVERTENCIA La barra de transmisión debe quedar centrada en las mordazas delanteras.



Figura 4 – Montaje sobre la Máquina Roscadora No. 1822-I (vale también para las máquinas roscadoras modelos 300 Compacta y 535)

Instalación en la Máquina Roscadora No. 1822-I montada en un Soporte 1406

iNOTA! La máquina roscadora 1822-I se usa con el Modelo 916 cuyo número en el Catálogo es el 48307.

1. Coloque el carro hacia el mandril delantero y aleje las herramientas hacia atrás.

⚠ CUIDADO Ponga el escariador dentro del cabezal de terrajas para evitar el contacto involuntario.

2. El mandril delantero debe estar abierto. Coloque a la 916 de tal manera que su base se asiente sobre los rieles del soporte y la barra de transmisión se meta en el mandril abierto.

⚠ ADVERTENCIA La barra de transmisión debe quedar centrada en las mordazas delanteras.

3. Apriete el mandril delantero firmemente contra la barra de transmisión.

Instalación en la Máquina Roscadora No. 300 Compacta montada en un Soporte 250

iNOTA! La máquina roscadoras 300 Compacta, cuando va montada en un Soporte 250, se usa con el Modelo 916 cuyo número en el Catálogo es el 45007 y el Caballete Adaptador No. 67662.

1. Coloque el carro hacia el mandril delantero y aleje las herramientas hacia atrás.

⚠ CUIDADO Ponga el escariador dentro del cabezal de terrajas para evitar el contacto involuntario.

2. Coloque el caballete adaptador sobre los rieles de la 300 Compacta y trábelo en posición empleando el pasador (Figura 5).

⚠ ADVERTENCIA El Caballete Adaptador debe usarse con el Soporte 250 para dejarle espacio libre al tubo. Sin este caballete adaptador, el tubo golpeará contra el soporte.

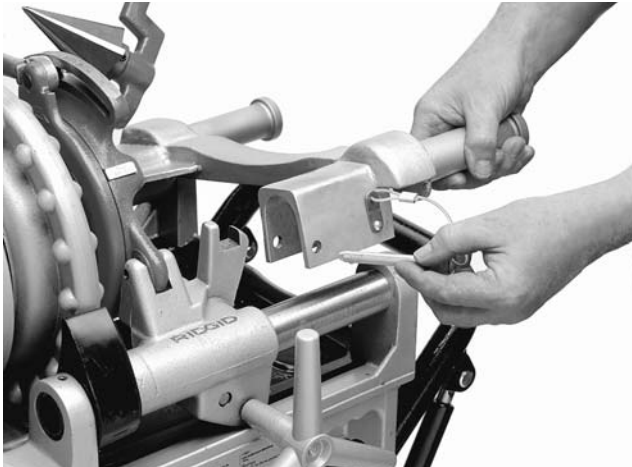


Figura 5 – Montaje del Caballete Adaptador a la Máquina Roscadora No. 300 Compacta

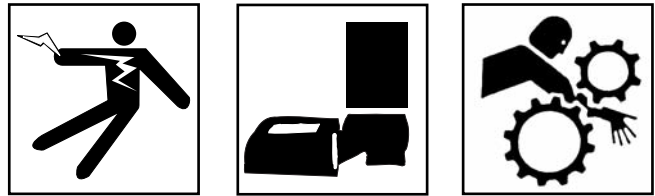
3. Coloque a la Ranuradora 916 sobre los brazos del adaptador.
4. Coloque la base de tal manera que la barra de accionamiento se meta en el mandril abierto.
5. Apriete las mordazas del mandril firmemente contra la barra de transmisión.

⚠ ADVERTENCIA La barra de transmisión debe quedar centrada en las mordazas del mandril delantero y firmemente sujeta.

¡NOTA! Antes de transportar la 300 Compacta que esté montada en un Soporte 250, DEBEN desacoplarse la Ranuradora 916 y el Caballete Adaptador. De lo contrario, la máquina 916 y el adaptador impedirán el repliegue y bloqueo del Soporte 250.

Revisión de la máquina

⚠ ADVERTENCIA



No use esta Ranuradora a Rodillos con un accionamiento motorizado o una máquina roscadora que no tienen su interruptor de pie.

Revise su Ranuradora a Rodillos y la máquina sobre la que va montada para prevenir accidentes corporales graves. A diario deben realizarse las siguientes inspecciones:

1. Asegure que la máquina esté desenchufada y que el conmutador direccional esté en la posición de OFF (apagado).
2. Asegure que el interruptor de pie existe y que está conectado a la máquina.
3. Revise el cordón de suministro de corriente y su enchufe para asegurar que se encuentran en buen estado. Si el enchufe ha sido modificado, le falta su clavija a tierra, o si el cordón está dañado, no use la máquina hasta que el cordón haya sido cambiado.
4. Asegure que la Ranuradora esté firmemente acoplada al accionamiento motorizado o a la máquina roscadora. La barra de transmisión debe estar centrada y bien sujeta en el mandril delantero.
5. Inspeccione la Ranuradora a Rodillos por si tiene alguna pieza quebrada, faltante, desalineada o atascada o por si existe cualquier otra condición que pueda afectar el seguro y normal funcionamiento de este equipo. Si se detecta alguna condición anormal, no use la Ranuradora hasta que el problema haya sido subsanado.
6. Si es necesario, lubrique la Ranuradora de acuerdo a las Instrucciones para el Mantenimiento.
7. Use los rodillos de ranurado y los accesorios que fueron diseñados para su Ranuradora a Rodillos y que son los indicados para cada uso. Las herramientas y accesorios de ranurado correctos le permiten llevar a cabo su trabajo en forma exitosa y segura. Los accesorios aptos para otros equipos pueden resultar peligrosos si se usan con esta Ranuradora a Rodillos.
8. Limpie cualquier aceite, grasa o mugre que caiga sobre los mangos y controles. Así se evitan las

lesiones debidas a herramientas o controles que resbalan de las manos.

9. Revise los rodillos de ranurado para asegurar que no están dañados o gastados. Los rodillos de ranurado desgastados pueden producir el patinaje de los tubos y ranuras de mala calidad.

Preparación de la máquina y de la zona de trabajo



Se requiere una adecuada preparación de la máquina y de la zona de trabajo para evitar que ocurran lesiones de gravedad. Deben seguirse los siguientes procedimientos para preparar la máquina:

1. Elija una zona de trabajo donde:
 - haya suficiente luz.
 - no estén presentes líquidos, vapores o polvos que puedan prender fuego.
 - exista un tomacorriente conectado a tierra.
 - haya una senda directa hasta la salida de corriente eléctrica, libre de fuentes de calor, aceites, bordes afilados o cortantes o piezas movibles que puedan dañar el cordón.
 - haya un lugar seco para situar la máquina y al operario. No use la máquina si está puesta sobre agua.
 - el suelo esté nivelado.
2. Limpie la zona de trabajo antes de montar cualquier equipo. Limpie cualquier derrame de aceite.
3. Coloque la máquina sobre una superficie plana. Asegure que las máquinas y el soporte estén estables.
4. Sujete los tubos, como es debido, con portatubos. Emplee dos soportes para ranurar tubería de más de 36 pulgadas de largo.

ADVERTENCIA Si no se sujeta el tubo correctamente, puede volcarse la unidad o caerse el tubo.

5. Asegure que el interruptor de FOR/OFF/REV (adelante/apagado/reversa) se encuentra en la posición de OFF (apagado).
6. Sitúe el interruptor de pie donde el operario pueda controlar con seguridad la máquina, la ranuradora

a rodillos y la pieza de trabajo. Debe permitir que el operario:

- se pare con la mano izquierda sobre el mango de alimentación.
- accione el pedal del interruptor de pie con su pie izquierdo.
- pueda alcanzar la ranuradora sin tener que extender su cuerpo por encima de la máquina.

La máquina fue diseñada para funcionar al mando de una persona.

7. Enchufe la máquina al tomacorriente ubicado en la senda despejada elegida con anterioridad. Si el cordón de suministro eléctrico no alcanza a la salida de corriente, use un cordón de extensión que se encuentre en buenas condiciones.

ADVERTENCIA Para evitar choques e incendios eléctricos, nunca use un cordón de extensión dañado o que no cumpla con los siguientes requisitos:

- Tener un enchufe de tres clavijas similar al que se muestra en la sección Seguridad eléctrica.
- Estar clasificado como “W” ó “W-A”, si será usado a la intemperie.
- Tener el grosor suficiente (14 AWG si mide 25 pies de largo o menos, 12 AWG si mide entre 25 y 50 pies). Si el grosor (calibre) de sus cables es insuficiente, el cordón puede sobrecalentarse y derretirse su material aislante, o prender fuego a objetos cercanos.

ADVERTENCIA Para reducir el riesgo de ocasionar choques eléctricos, mantenga todas las conexiones eléctricas secas y levantadas del suelo. No toque el enchufe con las manos mojadas.

8. Revise la unidad para asegurar que funciona correctamente.
 - Mueva el conmutador direccional a la posición de FOR (adelante). Oprima y suelte el interruptor de pie. Verifique que el rodillo de ranurado gira hacia la izquierda cuando usted se encuentra de frente a la ranuradora. Haga componer el accionamiento motorizado o la máquina roscadora si giran en el sentido equivocado o si el interruptor de pie no controla su detención o puesta en marcha.
 - Oprima y mantenga el pie sobre el interruptor. Revise las partes movibles por si están desalineadas o atascadas, por si emiten ruidos extraños o si detecta cualquier otra condición inusual que afecte el normal y seguro funcionamiento de la máquina. Si detecta alguna anomalía, lleve el accionamiento de la ranuradora a rodillos a componer.

- Revise la velocidad de la máquina para asegurar que gira a menos de 58 rpm. Las máquinas más veloces resultan peligrosas.
 - Mueva el conmutador direccional a la posición de REV (reversa) (salvo en las máquinas automáticas 1822-I y 535.) Oprima y suelte el interruptor de pie. Revise que el rodillo de accionamiento gire hacia la derecha cuando usted se encuentra de frente a la ranuradora.
 - Suelte el interruptor de pie y mueva el conmutador a la posición de OFF (apagado).
9. Revise los rodillos ranuradores y los de accionamiento para asegurar que son del tamaño correcto.

⚠ CUIDADO El uso de juegos de rodillos tanto en tuberías de acero de carbono como de acero inoxidable puede ocasionar la contaminación del material de acero inoxidable. Esta contaminación puede causar la corrosión y la falla prematura de la tubería. Para evitar la contaminación ferrosa, se recomienda que destine juegos de rodillos para su uso exclusivo en el ranurado de tubería de acero inoxidable.

Funcionamiento de la Ranuradora a Rodillos No. 916

⚠ ADVERTENCIA

No vista ropa suelta cuando haga funcionar una Ranuradora a Rodillos. Mantenga su chaqueta y mangas abotonadas. No extienda su cuerpo sobre las máquinas ni el tubo.

No use esta Ranuradora a Rodillos con un Accionamiento Motorizado o una Máquina Roscadora si a éstas les falta el interruptor de pie o está averiado. Siempre lleve protección para los ojos porque impide que les entren mugre y objetos extraños.

Mantenga sus manos apartadas de los rodillos ranuradores. No lleve guantes que le queden sueltos cuando haga funcionar una ranuradora a rodillos. Emplee portatubos para sujetar los tubos.

Durante el funcionamiento de la ranuradora, mantenga sus manos apartadas del extremo del tubo. No meta las manos dentro del tubo.

Preparación del tubo

1. Los extremos del tubo deben ser cortados en ángulo recto. No emplee un soplete para cortar el tubo.
2. El error de redondez u ovalamiento de la tubería no debe exceder el diámetro exterior máximo, o tolerancia, que se lista en las especificaciones para ranuras en la *Tabla I*.

¡NOTA! Determine el error de redondez de un tubo midiendo su diámetro exterior (D.E.) máximo y mínimo en dos puntos diametralmente opuestos.

3. Todas las costuras de soldaduras interiores o exteriores, tapajuntas u otras juntas que se encuentren a menos de 2 pulgadas del extremo del tubo deben ser amoladas al ras.

¡NOTA! No corte las caras planas en las zonas donde se asientan las empaquetaduras.

Longitud de los tubos

La Tabla A lista la longitud mínima que debe tener un tubo para ranurarlo. Asimismo, la longitud máxima que puede tener un tubo para ranurarse, y siempre que se lo ranure con la ayuda de un (1) portatubos.

Dimensión Nominal	Longitud mín.	Longitud máx.	Dimensión Nominal	Longitud mín.	Longitud máx.
1	8	36	4	8	36
1¼	8	36	4½	8	32
1½	8	36	5	8	32
2	8	36	6 D.E.*	10	30
2½	8	36	6	10	28
3	8	36			
3½	8	36			

*D.E. = Diámetro exterior

Tabla A – Longitudes de tubo mínimas y máximas ranurables

Montaje del tubo

1. Los tubos de una longitud superior a las máximas especificadas en la *Tabla A* deben sujetarse con dos (2) portatubos. El segundo portatubos debe colocarse a ¾ del largo del tubo, partiendo desde la Ranuradora.

⚠ ADVERTENCIA La unidad puede volcarse y el tubo, caerse, si no se emplean dos portatubos o soportes para tubos.

2. Levante el mango de alimentación y coloque el tubo en el rodillo de accionamiento y sobre el portatubos.
3. Encuadre el tubo y el portatubos en la ranuradora, asegurando que el tubo quede al ras contra el reborde del rodillo de accionamiento. (*Figura 6*)
4. Nivele el tubo ajustando el portatubos (Modelos 300PD –Acc. Motor- y 535) (*Figura 7*). Vea los consejos para el ranurado con las máquinas 1822 y 300 Compacta en la *página 46*.
5. Cuando la fuente de accionamiento funciona en

REVERSA (*Figura 8*), coloque el tubo y el portatubos levemente desplazados o desviados hacia el operario, en aproximadamente $\frac{1}{2}$ grado.

¡NOTA! Si la fuente de accionamiento funciona marcha ADELANTE (FORWARD), desvíe el tubo en $\frac{1}{2}^\circ$ alejándose del operario.



Figura 6 – Encuadre el tubo y el portatubos con relación a la Ranuradora



Figura 7 – Nivelación del tubo

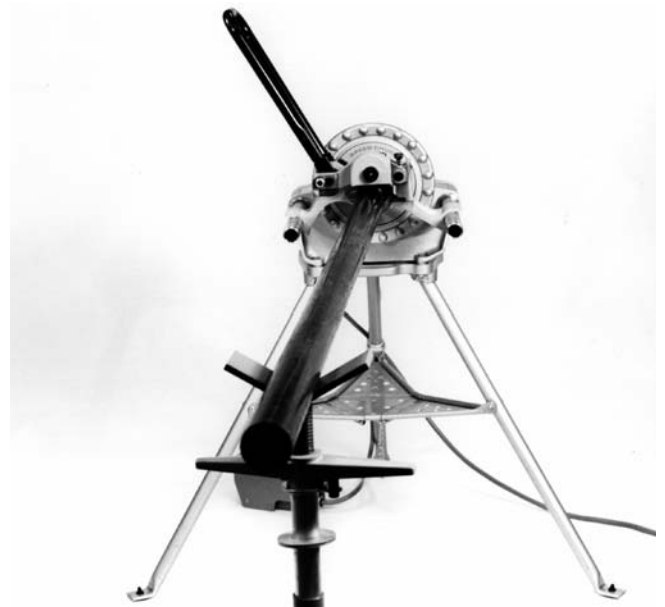


Figure 8A – Desvío del tubo cuando la fuente de accionamiento marcha en REVERSA (REV)



Figura 8B – Desvío del tubo cuando la fuente de accionamiento marcha hacia delante (FOR)

Regulación de la profundidad del ranurado

¡NOTA! Para lograr el diámetro correcto de ranura, se debe efectuar una ranura de ensayo cada vez que se instala un tubo diferente o de distinto tamaño.

1. Levante el mango de alimentación (*Figura 9*).

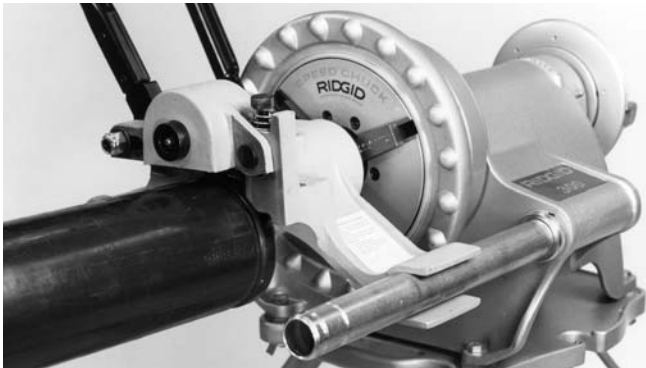


Figura 9 – Mango de alimentación en posición UP (arriba).

2. Afloje por completo el tornillo de regulación de la profundidad. (Figura 10)



Figura 10 – Afloje el tornillo de regulación de la profundidad

3. Retroceda el tornillo de regulación de la profundidad el número de vueltas indicado en la *Tabla B*. (Figura 11)

¡NOTA! La *Tabla B* indica la regulación debida al usarse un juego de rodillos 916 estándar. Vea en la *Tabla D* en la *página 49* la nota referente al ranurado de AWWA ,1¼ y 1½ pulg. de diámetro, y de tubos de 1 pulgada. La *Tabla C* se refiere al ranurado en cobre.

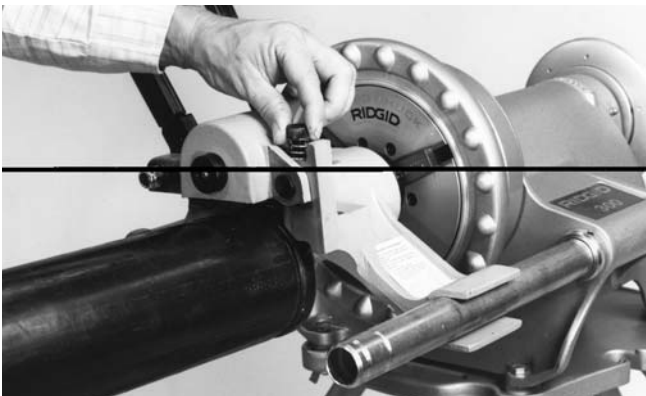


Figura 11 – Apriete el tornillo de regulación de la profundidad

Referencia para diámetros de tubos

Diámetro del tubo	Tipo 10 Número mínimo de vueltas	Tipo 40 Número mínimo de vueltas
6	2½	No aplicable
4	2¾	No aplicable
3½	2¾	No aplicable
3	2½	¾
2½	2½	1
2	2½	1½
1½	2½	1¾
1¼	2¾	1¾

Tabla B – Diámetro de tubos y número de vueltas

¡NOTA! Puede que sea necesario efectuar regulaciones adicionales para lograr la profundidad de ranura deseada. La tabla anterior es sólo una recomendación.

Formación de la ranura a rodillo

¡CUIDADO! El espesor de la pared del tubo no debe exceder los máximos grosores de pared especificados en la *Tabla II*: “*Espesores máximos y mínimos de pared de tubo*”.

1. Mueva el interruptor direccional y pise el interruptor de pie, ya sea el del accionamiento motorizado o el de la máquina roscadora, mientras ejerce leve presión descendente sobre el mango de alimentación.



Figura 12 – Formación de una ranura a rodillo

¡ADVERTENCIA! Si el tubo comienza a escaparse del rodillo de accionamiento, detenga la máquina y revise los procedimientos de “Montaje del tubo”.

2. Para evitar que el tubo se escape, ejerza presión sobre el tubo con la mano derecha: apartándolo del operario, cuando se hace funcionar el accionamiento motorizado o la máquina en modalidad FORWARD (adelante); y hacia el operario, cuando

se hace funcionar el accionamiento motorizado o la máquina en modalidad REVERSE (reversa).

iNOTA! Si la fuente de alimentación funciona marcha adelante (FOR), empuje el tubo alejándolo del operario. Si la fuente de alimentación funciona marcha atrás (REV), traiga el tubo hacia usted, el operario.

3. Si el tubo va bien “enrielado” y su parte trasera se apoya contra el reborde del rodillo de accionamiento, oprima el interruptor de pie y siga ejerciendo presión descendente con el mango de alimentación hasta que éste llegue a la base de la Ranuradora 916.

iNOTA! No cargue el rodillo superior de ranurado en demasía. Mantenga presión descendente constante sobre el mango de alimentación, en seguida haga una pausa para permitir que el tubo efectúe una revolución y luego reanude la presión descendente.

4. Una vez que el mango de alimentación se posa en la base de la Ranuradora 916, permita que el tubo dé otras dos (2) revoluciones completas a fin de obtener una profundidad de ranura uniforme.

5. Suelte el interruptor de pie y mueva el interruptor direccional a OFF (apagado).

6. Eleve el mango de alimentación y revise el diámetro de la ranura (vea la Tabla 1).

iNOTA! Dos mediciones diametralmente opuestas deben equivaler a la dimensión “C”. O bien, mida con una cinta “pi”.

7. Para reducir el diámetro de la ranura, apriete el tornillo de regulación de la profundidad. Para aumentar el diámetro de la ranura, afloje el tornillo de regulación de la profundidad.

iNOTA! Una vez establecida la profundidad de la ranura, las ranuras siguientes tendrán la misma profundidad.

8. Verifique periódicamente la profundidad de la ranura con una cinta de medir diámetros o pi. Si se usa un acoplamiento para medir, éste debe asentarse en la ranura sin atascarse y sin demasiado juego.

iNOTA! La tubería que exceda las “Especificaciones de abocinados máximos” establecidas por el organismo que agrupa a los fabricantes de fittings o acoplamientos, Fitting Manufacturers, puede impedir el ensamblaje hermético de los acoplamientos. Por ende, las posibles separaciones que pudieran producirse entre tubos podrían ocasionar daños materiales e inmobiliarios. También, pueden producirse fugas o filtraciones en las uniones debidas a los daños

o distorsiones en las empaquetaduras. Verifique si cumplen con las especificaciones de Fitting Manufacturers.

Consejos para ranurar a rodillo con la 916

1. Si el tubo tiende a escaparse del rodillo de accionamiento, aumente el grado de desviación del tubo.
2. Si el reborde del rodillo de accionamiento cepilla el extremo del tubo, disminuya la desviación del tubo.
3. Si el abocinado en el extremo del tubo es excesivo, baje el extremo del tubo para nivelarlo con la ranuradora.
4. Si el tubo se bambolea o se escapa del rodillo de accionamiento, levante el extremo del tubo hasta quedar al mismo nivel con la ranuradora.
5. Los tubos cortos (de menos de tres pies de largo) pueden requerir una leve presión de su mano para mantener la desviación de 1/2 grado.

iNOTA! Al ranurar tubos de más de 36 pulgadas de largo con las máquinas roscadoras 300 Compacta o 1822-I montadas en soportes abatibles, desvíe el tubo para que quede colocado en el mismo ángulo que el árbol de transmisión de la Ranuradora 916 (Figura 13).

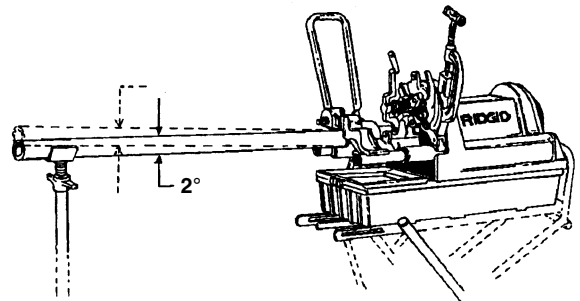


Figura 13 – Alineamiento de la desviación del tubo en el mismo ángulo que la máquina

Ranurado de tubos cortos

1. Cuando la máquina funcione en dirección FOR (adelante), empuje el tubo apartándolo del operario.
2. Cuando la máquina funcione en reversa, traiga el tubo hacia el operario.

▲ ADVERTENCIA No intente ranurar trozos de tubos que tengan menos de 8 pulgadas de largo. Aumenta el peligro de que sus dedos sean aplastados por los rodillos ranuradores.

Extracción e instalación

Extracción e instalación del rodillo ranurador

¡NOTA! Debido a que la geometría del juego de rodillos determina las dimensiones de las ranuras, se requieren rodillos de ranurado específicos para ranurar los siguientes tubos:

Tipos K, L, M, DWV de cobre, de 2 a 6 pulgs.

Serie 10 y 40 de 1 pulg.

Serie 10 de 1¼ a 6 pulgs. (Serie 40 de 1¼ a 3 pulg.)

Serie 40 de 2 a 3 pulg., AWWA Serie 10 de 2 a 6 pulg.

AWWA Serie 10 y 40 de 1¼ a ½ pulg.

⚠ ADVERTENCIA AWWA Serie 10 y 40 de 1¼ a ½ pulg.

1. Extraiga el anillo en E que sujeta al pasador de pivote.

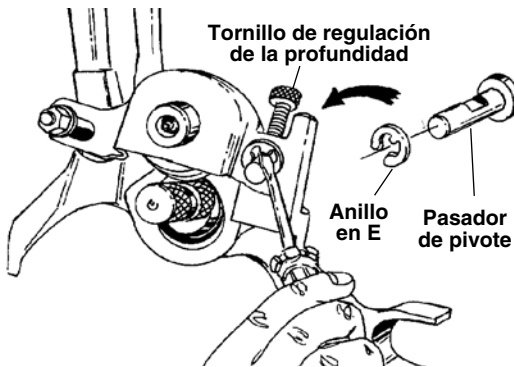


Figura 14 – Extraiga el anillo en E

2. Retroceda el pasador de pivote, hacia atrás, hasta que tope.
3. Afloje el tornillo de regulación de la profundidad.
4. Extraiga el pasador de pivote.
5. Levante el alojamiento del rodillo ranurador. (Figura 15)

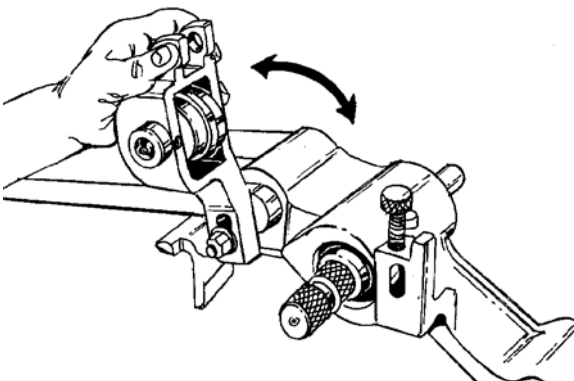


Figura 15 – Levante el alojamiento del rodillo ranurador

6. Afloje el tornillo de retención que sujeta el árbol del rodillo ranurador. (Figura 16)

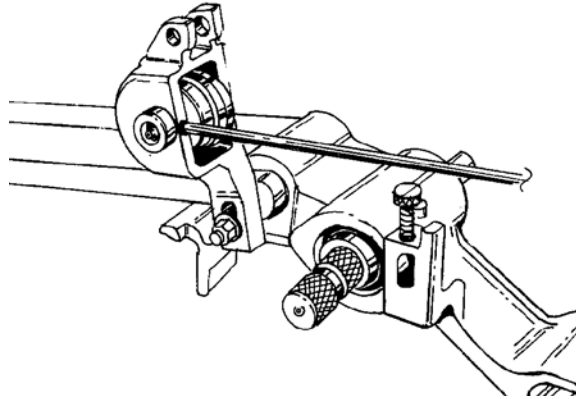


Figura 16 – Afloje el tornillo de retención

7. Extraiga el árbol del rodillo ranurador y el rodillo mismo.
8. Instale el rodillo ranurador adecuado en el alojamiento para el rodillo ranurador. La parte del rodillo que labra las ranuras debe mirar hacia el chasis de la máquina.
9. Cuando apriete el tornillo de retención, asegure que entre en la hendidura correspondiente en el árbol.
10. Vuelva a colocar el alojamiento del rodillo invirtiendo los pasos anteriores, del 5 al 1.

Extracción e instalación del rodillo de accionamiento

1. Extraiga los 4 pernos que sujetan la placa de retención del cojinete trasero y extraiga la placa. (Figura 17)

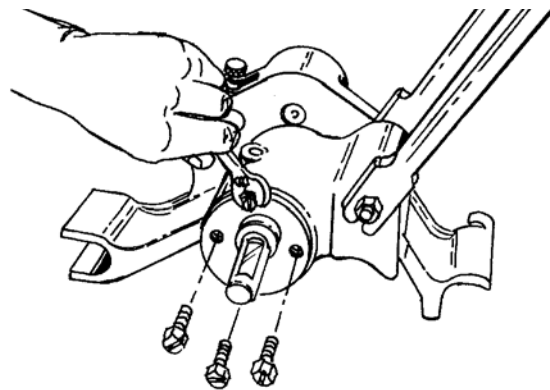


Figura 17 – Extraiga la placa de retención

2. Con un mazo de golpeitos a la parte delantera del árbol de transmisión para soltar el árbol y el cojinete trasero.

3. Extraiga el árbol y el cojinete trasero fuera de la unidad. Coloque el árbol adecuado.

¡NOTA! El árbol de transmisión de recambio viene equipado con un cojinete trasero.

Ranurado en cobre con la No. 916

Preparación del tubo

1. Los extremos de los tubos de cobre deben estar cortados en ángulo recto.
2. El error de redondez u ovalamiento de la tubería no debe exceder el diámetro exterior máximo, o tolerancia, listada en las especificaciones para el ranurado en cobre (*Tabla IV*).

¡NOTA! Determine el error de redondez de un tubo midiendo su diámetro exterior (D.E.) máximo y mínimo en dos puntos diametralmente opuestos. Antes de ranurar un tubo de cobre, asegure que tanto el rodillo de accionamiento para cobre como los rodillos ranuradores para cobre se encuentren instalados.

Formación de ranuras en cobre

1. Gire el tornillo de regulación de la profundidad a la profundidad deseada. (*Vea la Tabla C de más abajo.*)

Diámetro	No. de vueltas			
	K	L	M	DWV
2"	4	4 ¹ / ₄	4 ¹ / ₂	—
2 ¹ / ₂ "	3 ¹ / ₂	4	4 ¹ / ₄	—
3"	3 ¹ / ₄	3 ¹ / ₂	4 ¹ / ₄	4 ³ / ₄
4"	2 ¹ / ₂	3 ¹ / ₄	3 ¹ / ₂	4 ¹ / ₂
5"	1 ³ / ₄	2 ³ / ₄	3 ¹ / ₄	4 ¹ / ₄
6"	1 ¹ / ₄	2 ¹ / ₂	3	4 ¹ / ₄

Tabla C – Tabla para la regulación de la profundidad al ranurar cobre

¡NOTA! Es posible que sea necesario efectuar regulaciones adicionales para lograr los diámetros de ranura adecuados. La tabla anterior es sólo una referencia.

2. Cuadre el tubo de cobre y el portatubos con la Ranuradora, y asegure que la pieza de trabajo quede al ras contra el reborde del rodillo de accionamiento.
3. Nivele el tubo de cobre ajustando el portatubos. Tanto el tubo de cobre como la máquina deben estar nivelados.
4. Siga las instrucciones en la sección "Formación de la ranura a rodillos" en la *página 46*.

Ranurado de tubos de acero de menor diámetro

1. Gire el tornillo de regulación de la profundidad a la profundidad deseada. (*Vea la Tabla D más abajo.*)

Diámetro	Serie 10 Mínimo No. de vueltas	Serie 40 Mínimo No. de vueltas
1"	5	4 ¹ / ₄
1 ¹ / ₄ "	3 ¹ / ₂	3
1 ¹ / ₂ "	3 ³ / ₄	3 ¹ / ₂

Tabla D

¡NOTA! Es posible que sea necesario efectuar regulaciones adicionales para lograr los diámetros de ranura adecuados. La tabla anterior es sólo una referencia.

2. Siga las instrucciones en la sección "Formación de la ranura a rodillos" en la *página 46*.

¡NOTA! Los diámetros 1¹/₄ y 1¹/₂ pulgada en la *Tabla D* corresponden al empleo de juegos de rodillos AWWA *opcionales*. Consulte la *Tabla B* para la *regulación* de los juegos de rodillos *estándar*.

Accesorios

▲ ADVERTENCIA Los siguientes productos RIDGID son los únicos aptos para funcionar con la Ranuradora a Rodillos No. 916. Los accesorios de otras máquinas pueden resultar peligrosos si se usan con esta Ranuradora.

Para evitar lesiones de gravedad, sólo use los accesorios que se listan a continuación.

No. en el catálogo	Modelo No.	916 Accessories
45347	—	Juego de rodillos para tubos Tipo 10 y 40 de 1 pulg. (opcional)
45352	—	Juego de rodillos para tubos de cobre (opcional)
69667	—	Juego de rodillos para AWWA de 1 ¹ / ₂ a 1 ¹ / ₂ (opcional)
69692	—	Juego de rodillos para AWWA de 2 a 6 pulg.
67662	—	Caballote adaptador para Roscadora 300 Compacta
76822	—	Cinta inglesa para medir diámetros
76827	—	Cinta métrica para medir diámetros

NOTA: An juego de rodillos está compuesto de un Rodillo Ranurador y un Rodillo de Accionamiento.

¡NOTA! Consulte el Catálogo de Ridge Tool para conocer el listado completo de portatubos.

Instrucciones para el mantenimiento

⚠ ADVERTENCIA Asegure que la máquina esté desenchufada de la fuente de suministro antes de hacerle mantenimiento o cualquier regulación.

Lubricación

Cojinetes del árbol de transmisión y del eje del rodillo de ranurado

Lubríquelos con grasa de uso múltiple a través de los fittings, ubicados en el eje del rodillo de ranurado y en el alojamiento del rodillo inferior, después de cada cambio de rodillos.

Almacenamiento de la máquina

⚠ ADVERTENCIA Los equipos a motor deben guardarse dentro, bajo techo, o bien cubiertos para guarecerlos de la lluvia. Almacene la máquina bajo llave, fuera del alcance de los niños y personas que no conocen el manejo de estos equipos ranuradores. Esta máquina puede causar graves lesiones en manos de usuarios sin entrenamiento.

Mantenimiento y reparaciones

El mantenimiento y las reparaciones a esta Ranuradora a Rodillos deben realizarlos técnicos calificados. La máquina debe llevarse a un Servicentro Autorizado Independiente de RIDGID o devuelta a la fábrica. Todos los trabajos de reparación efectuados en servicentros Ridge están garantizados contra defectos en los materiales y de la mano de obra.

⚠ ADVERTENCIA Cuando se le haga mantenimiento a esta máquina, sólo deben usarse repuestos idénticos. Se crea el riesgo de que ocurran descargas eléctricas y lesiones graves si no se siguen estas instrucciones.

Si tiene cualquier pregunta relativa al mantenimiento o reparación de este aparato, llame o escriba a:

Ridge Tool Company
Technical Service Department
400 Clark Street
Elyria, Ohio 44035-6001
Teléfono: (800) 519-3456
E-mail: rtctechservices@emerson.com

Para obtener el nombre y la dirección del Servicentro Autorizado más cercano, llame al (800) 519-3456 o visítenos en <http://www.RIDGID.com>

Tabla I. Especificaciones para el ranurado a rodillo estándar

iNOTA! Todas las dimensiones están en pulgadas.

DIMENSIÓN NOMINAL DEL TUBO	DIAMETRO DEL TUBO		ESPESOR MIN. DE PARED	ASIENTO DE EMPAQUETADURA +.015/-0.030	ANCHO DE LA RANURA +.030/-0.015	DIAM. DE LA RANURA		PROFUNDIDAD NOMINAL DE RANURA (REF ^{#2})
	DIAM. EXT.	TOL.				DIAM. EXT.	TOL.	
1	1,315	+0,013 -0,015	0,065	0,625	0,281	1,190	+0,000 -0,015	0,063
1¼	1,660	+0,016 -0,015	0,065	0,625	0,281	1,535	+0,000 -0,015	0,063
1½	1,900	+0,019 -0,015	0,065	0,625	0,281	1,775	+0,000 -0,015	0,063
2	2,375	+0,024 -0,016	0,065	0,625	0,344	2,250	+0,000 -0,015	0,063
2½	2,875	+0,029 -0,016	0,083	0,625	0,344	2,720	+0,000 -0,015	0,078
3 DIAM. EXT.	3,00	+0,030 -0,018	0,083	0,625	0,344	2,845	+0,000 -0,015	0,078
3	3,50	+0,030 -0,018	0,083	0,625	0,344	3,344	+0,000 -0,015	0,078
3½	4,00	+0,030 -0,018	0,083	0,625	0,344	3,834	+0,000 -0,015	0,083
4	4,50	+0,035 -0,020	0,095	0,625	0,344	4,334	+0,000 -0,015	0,083
4½	5,00	+0,040 -0,020	0,095	0,625	0,344	4,834	+0,000 -0,015	0,083
5	5,563	+0,050 -0,022	0,109	0,625	0,344	5,395	+0,000 -0,015	0,084
6 DIAM. EXT.	6,00	+0,050 -0,022	0,109	0,625	0,344	5,830	+0,000 -0,015	0,085
6	6,625	+0,050 -0,024	0,109	0,625	0,344	6,455	+0,000 -0,015	0,085

1. Según la norma AWWA C606-87.

2. La Profundidad Nominal de Ranura se entrega como una dimensión de referencia solamente. No use la profundidad de ranura para determinar la accesibilidad de una ranura.

Tabla II. Espesores máximos y mínimos de pared de tubo

iNOTA! Todas las dimensiones están en pulgadas.

Dimensión del tubo	TUBERÍA O TUBO DE ACERO DE CARBONO O DE ALUMINIO		TUBERÍA O TUBO DE ACERO INOXIDABLE		TUBERÍA DE PVC	
	Espesor de pared		Espesor de pared		Espesor de pared	
	Mín.	Máx.	Mín.	Máx.	Mín.	Máx.
1"	0,065	0,133	0,065	0,109	0,133	0,133
1¼"	0,065	0,140	0,065	0,140	0,140	0,140
1½"	0,065	0,145	0,065	0,145	0,145	0,200
2"	0,065	0,154	0,065	0,154	0,154	0,218
2½"	0,083	0,203	0,083	0,188	0,203	0,276
3"	0,083	0,216	0,083	0,188	0,216	0,216
3½"	0,083	0,120	0,083	0,188	0,226	0,226
4"	0,083	0,120	0,083	0,188	0,237	0,237
5"	0,109	0,134	0,109	0,188	0,258	0,258
6"	0,109	0,134	0,109	0,188	0,280	0,280

Tabla III. Detección de averías

PROBLEMA	CAUSA	CORRECCION
Ranura muy angosta o muy ancha.	Rodillos de accionamiento y de ranurado de tamaño incorrecto. Los rodillos de accionamiento y de ranurado no son del mismo tipo. El rodillo de accionamiento y/o el de ranurado están desgastados.	Coloque los rodillos de ranurado y de accionamiento del tamaño correcto. Instale rodillos de ranurado y de accionamiento del mismo tipo. Recambie el rodillo desgastado.
Ranura no perpendicular al eje del tubo.	Tubo no es recto; está torcido. Extremo del tubo no está cortado en ángulo recto con relación al eje del tubo.	Elija tubos rectilíneos. Corte el extremo del tubo en ángulo recto.
Durante el ranurado el tubo no mantiene su pista.	Tubo desnivelado. El eje del tubo no está desviado en 1/2 grado con relación al eje del rodillo de accionamiento. La Ranuradora no está nivelada.	Ajuste el portatubos para nivelar el tubo. Desvíe el tubo en 1/2 grado. Nivele la Ranuradora.
El tubo no avanza durante el ranurado.	Tubo desnivelado.	Ajuste el portatubos para nivelar el tubo.
El tubo se abocina en el extremo.	El tubo está torcido. El extremo del tubo no se encuentra en ángulo recto con el eje del tubo.	Elija tubos rectilíneos. Corte el extremo del tubo en ángulo recto.
Durante el ranurado, el tubo navega de atrás para delante sobre el eje del rodillo de accionamiento.	El portatubos está puesto demasiado cerca del extremo del tubo. El extremo del tubo está aplastado o dañado. Existen puntos duros en el material mismo del tubo o las soldaduras son más duras que el tubo. El ritmo de avance del rodillo de ranurado es demasiado lento. Velocidad del accionamiento motorizado excede las 36 rpm. Los rodillos del portatubos no se encuentran en la posición correcta para este tamaño de tubo.	Aleje el portatubos hasta tres cuartos de la longitud del tubo. Corte el extremo dañado del tubo. Alimente el rodillo ranurador más rápidamente dentro del tubo. Alimente el rodillo ranurador más rápidamente dentro del tubo. Reduzca la velocidad a 36 rpm. Regule los rodillos del portatubos de acuerdo al diámetro del tubo en uso.
Durante el ranurado el tubo se mece de un lado a otro sobre el rodillo de accionamiento.	Se excedió el espesor máximo de pared de tubo. Rodillos equivocados. Material del tubo demasiado duro. El tornillo de regulación no se encuentra regulado. El Accionamiento motorizado no suministra el par de torsión mínimo necesario.	Consulte la Tabla de espesores de pared permisibles. Instale los rodillos correctos. Cambie de tubo. Regule la profundidad. Use el Accionamiento motorizado RIDGID 300 de 36 rpm.
La Ranuradora no labra ranuras del diámetro requerido.	Se excedió la tolerancia máxima de diámetro de tubo. Los rodillos de ranurado y de accionamiento no corresponden. El tornillo de regulación de la profundidad no ha sido regulado correctamente.	Use tubería del diámetro correcto. Use los rodillos de ranurado y de accionamiento correspondientes. Regule la profundidad del ranurado.

Tabla III. Detección de averías continuación

Tabla de detección de averías

PROBLEMA	CAUSA	CORRECTION
El tubo se resbala o patina en el rodillo de accionamiento.	El ritmo de avance del rodillo de ranurado es demasiado lento. El estriado del rodillo de accionamiento está taponado con metal o desgastado y plano.	Alimente el rodillo ranurador más rápidamente hacia dentro del tubo. Limpie o recambie el rodillo de accionamiento.
La Ranuradora no hace girar el tubo durante el ranurado.	El Accionamiento motorizado no suministra el mínimo par torsor necesario. Mandril no está cerrado en las caras planas del árbol de transmisión.	Use el Accionamiento motorizado RIDGID 300 de 36 rpm o las máquinas roscadoras RIDGID 535 ó 1822-I. Cierre el mandril.
El tubo se levanta o tiende a inclinarse a la Ranuradora hacia atrás.	El portatubos está puesto demasiado cerca de la Ranuradora.	Aleje el portatubos de la máquina hasta 1/4 de la longitud del tubo.

Tabla IV. Especificaciones para ranurar tubos de cobre

iNOTA! Todas las dimensiones son en pulgadas.

1	2		3	4	5	6	7	8
Dimensión nominal en pulgadas	Diámetro exterior del tubo D.E.		A Asiento de empaquetadura ±.03	B Ancho de la ranura +.03 -.00	C Diá. de la ranura +.00 -.02	D Profundidad nominal de la ranura	T Espesor Mín. de pared permitido	Diá. Máx. de abocinado permitido
	Básico	Tolerancia						
2"	2,125	±0,002	0,610	0,300	2,029	0,048	0,064	2,220
2 1/2"	2,625	±0,002	0,610	0,300	2,525	0,050	0,064	2,720
3"	3,125	±0,002	0,610	0,300	3,025	0,050	DWV	3,220
4"	4,125	±0,002	0,610	0,300	4,019	0,053	DWV	4,220
5"	5,125	±0,002	0,610	0,300	5,019	0,053	DWV	5,220
6"	6,125	±0,002	0,610	0,300	5,999	0,063	DWV	6,220

**What is covered**

RIDGID® tools are warranted to be free of defects in workmanship and material.

How long coverage lasts

This warranty lasts for the lifetime of the RIDGID® tool. Warranty coverage ends when the product becomes unusable for reasons other than defects in workmanship or material.

How you can get service

To obtain the benefit of this warranty, deliver via prepaid transportation the complete product to RIDGE TOOL COMPANY, Elyria, Ohio, or any authorized RIDGID® INDEPENDENT SERVICE CENTER. Pipe wrenches and other hand tools should be returned to the place of purchase.

What we will do to correct problems

Warranted products will be repaired or replaced, at RIDGE TOOL'S option, and returned at no charge; or, if after three attempts to repair or replace during the warranty period the product is still defective, you can elect to receive a full refund of your purchase price.

What is not covered

Failures due to misuse, abuse or normal wear and tear are not covered by this warranty. RIDGE TOOL shall not be responsible for any incidental or consequential damages.

How local law relates to the warranty

Some states do not allow the exclusion or limitation of incidental or consequential damages, so the above limitation or exclusion may not apply to you. This warranty gives you specific rights, and you may also have other rights, which vary, from state to state, province to province, or country to country.

No other express warranty applies

This FULL LIFETIME WARRANTY is the sole and exclusive warranty for RIDGID® products. No employee, agent, dealer, or other person is authorized to alter this warranty or make any other warranty on behalf of the RIDGE TOOL COMPANY.

**Ce qui est couvert**

Les outils RIDGID® sont garantis contre tous vices de matériaux et de main d'oeuvre.

Durée de couverture

Cette garantie est applicable durant la vie entière de l'outil RIDGID®. La couverture cesse dès lors que le produit devient inutilisable pour raisons autres que des vices de matériaux ou de main d'oeuvre.

Pour invoquer la garantie

Pour toutes réparations au titre de la garantie, il convient d'expédier le produit complet en port payé à la RIDGE TOOL COMPANY, Elyria, Ohio, ou bien le remettre à un réparateur RIDGID® agréé. Les clés à pipe et autres outils à main doivent être ramenés au lieu d'achat.

Ce que nous ferons pour résoudre le problème

Les produits sous garantie seront à la discrétion de RIDGE TOOL, soit réparés ou remplacés, puis réexpédiés gratuitement ; ou si, après trois tentatives de réparation ou de remplacement durant la période de validité de la garantie le produit s'avère toujours défectueux, vous aurez l'option de demander le remboursement intégral de son prix d'achat.

Ce qui n'est pas couvert

Les défaillances dues au mauvais emploi, à l'abus ou à l'usure normale ne sont pas couvertes par cette garantie. RIDGE TOOL ne sera tenue responsable d'aucuns dommages directs ou indirects.

L'influence de la législation locale sur la garantie

Puisque certaines législations locales interdisent l'exclusion des dommages directs ou indirects, il se peut que la limitation ou exclusion ci-dessus ne vous soit pas applicable. Cette garantie vous donne des droits spécifiques qui peuvent être éventuellement complétés par d'autres droits prévus par votre législation locale.

Il n'existe aucune autre garantie expresse

Cette GARANTIE PERPETUELLE INTEGRALE est la seule et unique garantie couvrant les produits RIDGID®. Aucun employé, agent, distributeur ou tiers n'est autorisé à modifier cette garantie ou à offrir une garantie supplémentaire au nom de la RIDGE TOOL COMPANY.

**Qué cubre**

Las herramientas RIDGID® están garantizadas contra defectos de la mano de obra y de los materiales empleados en su fabricación.

Duración de la cobertura

Esta garantía cubre a la herramienta RIDGID® durante toda su vida útil. La cobertura de la garantía caduca cuando el producto se torna inservible por razones distintas a las de defectos en la mano de obra o en los materiales.

Cómo obtener servicio

Para obtener los beneficios de esta garantía, envíe mediante porte pagado, la totalidad del producto a RIDGE TOOL COMPANY, en Elyria, Ohio, o a cualquier Servicentro Independiente RIDGID. Las llaves para tubos y demás herramientas de mano deben devolverse a la tienda donde se adquirieron.

Lo que hacemos para corregir el problema

El producto bajo garantía será reparado o reemplazado por otro, a discreción de RIDGE TOOL, y devuelto sin costo; o, si aún resulta defectuoso después de haber sido reparado o sustituido tres veces durante el periodo de su garantía, Ud. puede optar por recibir un reembolso por el valor total de su compra.

Lo que no está cubierto

Esta garantía no cubre fallas debido al mal uso, abuso o desgaste normal. RIDGE TOOL no se hace responsable de daño incidental o consiguiente alguno.

Relación entre la garantía y las leyes locales

Algunos estados de los EE.UU. no permiten la exclusión o restricción referente a daños incidentales o consiguientes. Por lo tanto, puede que la limitación o restricción mencionada anteriormente no rija para Ud. Esta garantía le otorga derechos específicos, y puede que, además, Ud. tenga otros derechos, los cuales varían de estado a estado, provincia a provincia o país a país.

No rige ninguna otra garantía expresa

Esta GARANTIA VITALICIA es la única y exclusiva garantía para los productos RIDGID®. Ningún empleado, agente, distribuidor u otra persona está autorizado para modificar esta garantía u ofrecer cualquier otra garantía en nombre de RIDGE TOOL COMPANY.

Ridge Tool Company

400 Clark Street
Elyria, Ohio 44035-6001
U.S.A.

**EMERSON**

Commercial & Residential Solutions