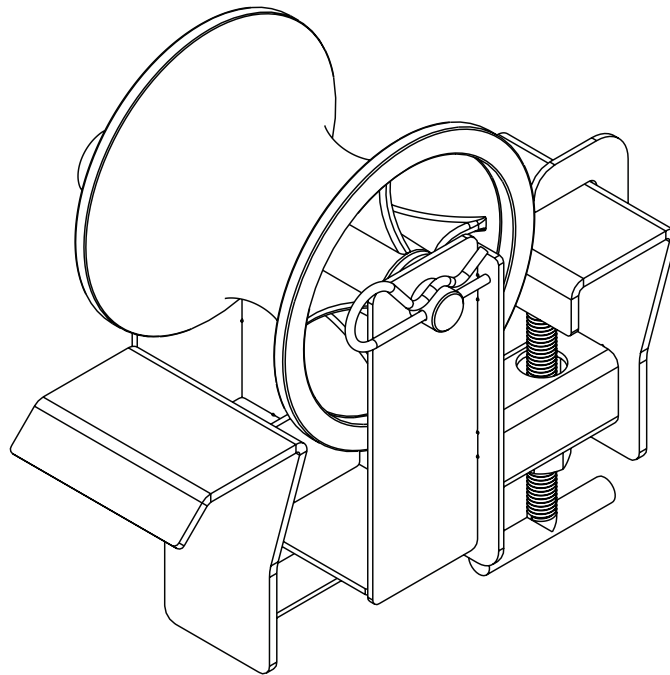




Current Tools

FOR THE PROFESSIONAL ELECTRICIAN

Current Tools™ Model 953TR Speed Mount Tray Roller



Instruction Sheet

09/18



Read and understand this material before installing or operating the tray roller. Failure to understand how to safely install and operate this unit may result in serious injury or death.

This manual is free of charge. All personnel who install or operate the tray roller should have a copy of this manual and read and understand its contents. To obtain a copy, call, write to the address below, or visit our website.

**CURRENT TOOLS • P. O. BOX 17026 GREENVILLE, SC 29606
800.230.5421 or 864.721-4230 • FAX 864.721.4232
www.currenttools.com**

TABLE OF CONTENTS

<i>Safety Alerts</i>	2
<i>Safety Information</i>	3
<i>Specifications and Installation Instructions</i>	4
<i>Exploded View and Parts List</i>	5

SAFETY ALERTS



Safety Alert Symbol

THIS SAFETY SYMBOL is used to call your attention to instructions that concern your personal safety. It means: ATTENTION! BE AWARE! THIS IS AN IMPORTANT SAFETY INSTRUCTION!

Read, understand and follow these safety instructions. Failure to follow these safety instructions may result in injury or death.

DANGER

Immediate hazards which, if not avoided, WILL result in serious personal injury or death.

WARNING

Hazards or unsafe practices which, if not avoided, COULD result in serious personal injury or death.

CAUTION

Hazards or unsafe practices which, if not avoided, COULD result in minor personal injury or property damage.

RETAIN SAFETY INFORMATION



This manual should be read and understood by all personnel who install or operate this tray. Failure to understand how to safely install and operate this unit could result in injury or death. This unit should only be installed or operated by qualified personnel.



IMPORTANT SAFETY INFORMATION

Follow ALL safety information provided by the manufacturer.

⚠ WARNING

Read and understand the cable manufacturer's and the cable tray manufacturer's specifications and instructions when pulling cable in tray.

⚠ WARNING

Be aware that a cable puller may exert up to **twice** its rated capacity on any component in the pulling set-up.

⚠ WARNING

ALWAYS inspect the structural integrity of any anchoring system that will hold the cable tray sheave during the pull. These supports should be able to withstand **twice** the maximum pulling force of the cable puller.

⚠ WARNING

Rope or cable must ALWAYS be pulled over a rotating sheave. If a sheave does not rotate, turn cable puller off immediately and determine the cause before continuing pull.

⚠ WARNING

All instructions and safety information supplied with the cable puller must be read and understood. Failure to understand how to safely operate and service the cable puller could result in serious injury or death.

⚠ WARNING

Cable tray sheaves are for use in cable pulling only. DO NOT use for lifting personnel or equipment. Failure to observe this warning could result in serious injury or death.

⚠ CAUTION

ALWAYS wear safety glasses. Failure to wear eye protection could result in eye injury from flying debris.

⚠ CAUTION

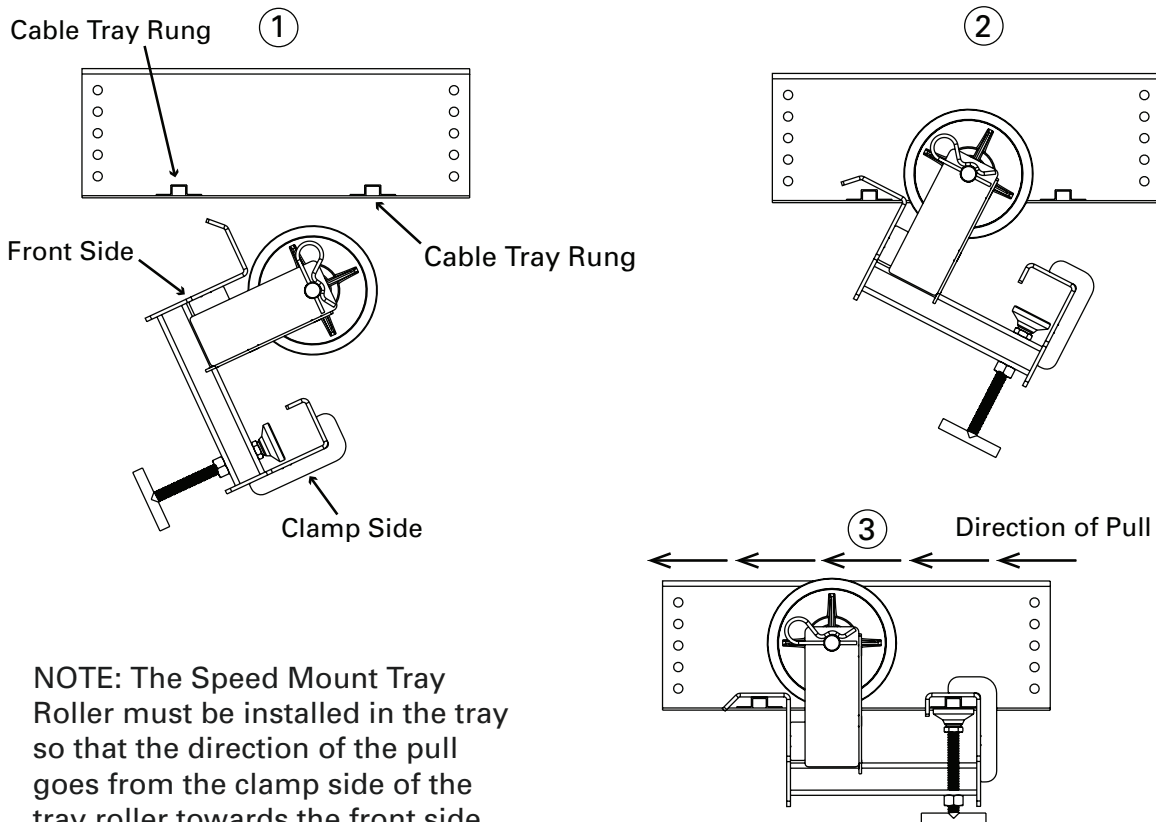
ALWAYS keep the tray roller under control when installing or removing. A tray roller not under control could fall and injure personnel in the area.

SPECIFICATIONS – 953TR

Model Number	953TR
Tray Type	9" on center rung spacing
Capacity	100 lbs.
Weight	12 lbs.

TYPICAL INSTALLATION

The model 953TR speed mount tray roller is designed to easily install and remove from cable tray and provide low friction wire pulling. This unit installs through the bottom of the tray and allows for easy unloading of the cable or wire bundle after the pull is completed.

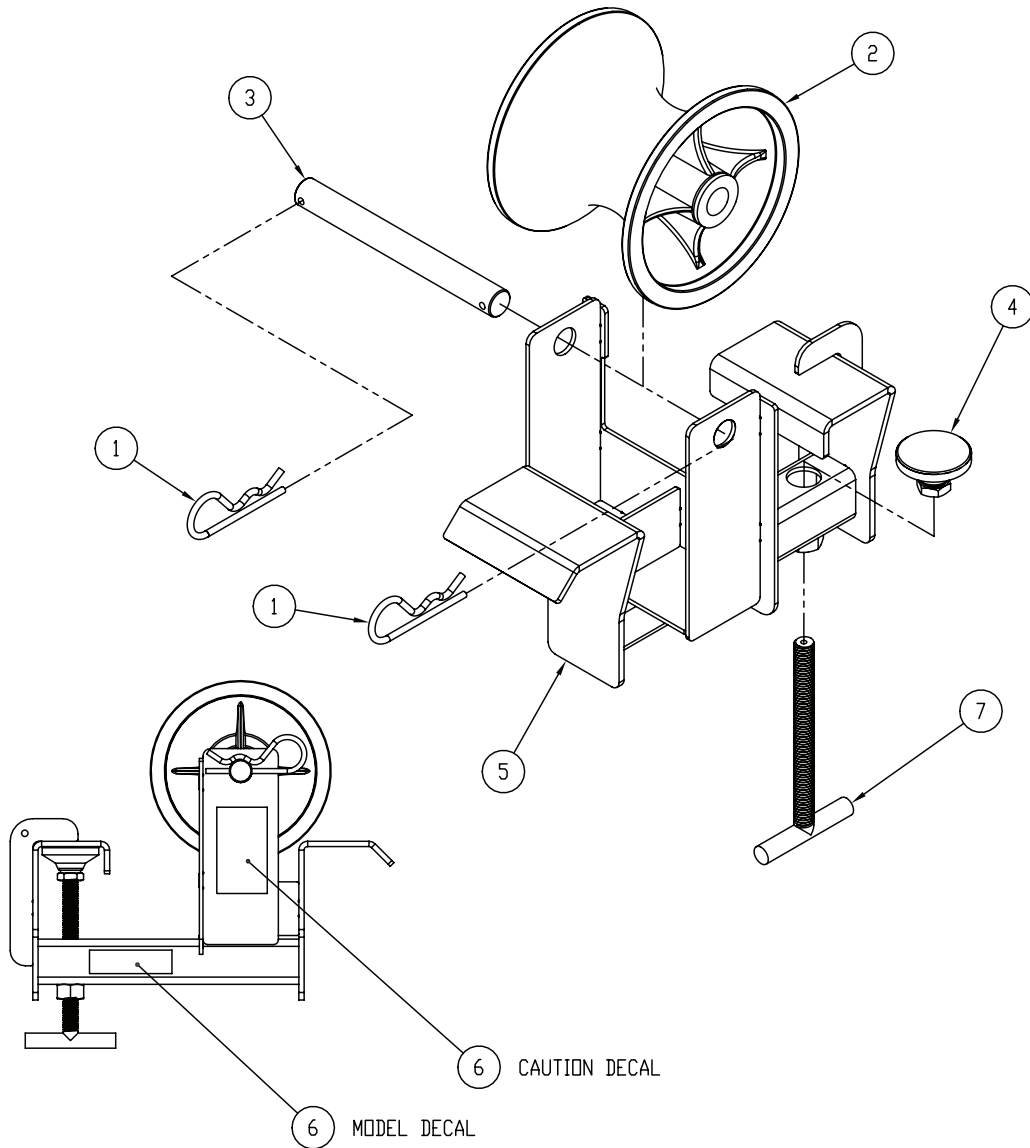


NOTE: The Speed Mount Tray Roller must be installed in the tray so that the direction of the pull goes from the clamp side of the tray roller towards the front side (See instruction #3).

INSTALLATION INSTRUCTIONS

1. From the bottom side of the cable tray, angle the clamp side of the tray roller away from the cable tray.
2. Insert the angled tray roller in between two rungs (the tray roller is designed for use on rungs with 9" spacing) so that the aluminum sheave enters the tray.
3. Hook the clamp side over the rung and tighten the clamp onto the rung.
4. Reverse the above steps to remove the tray roller after the pull is complete.

EXPLODED VIEW



PARTS LIST

ITEM #	PART#	DESCRIPTION	QTY.
1	406-3	SPRING CLIP	2
2	406-4	SHEAVE	1
3	406-362	PIN – SHEAVE	1
4	953TR-003	SWIVEL LEVELING MOUNT	1
5	953TR-134	FRAME	1
6	953TR-DECAL	DECAL SHEET	1
7	9548-743	T-SCREW-CLAMP	1