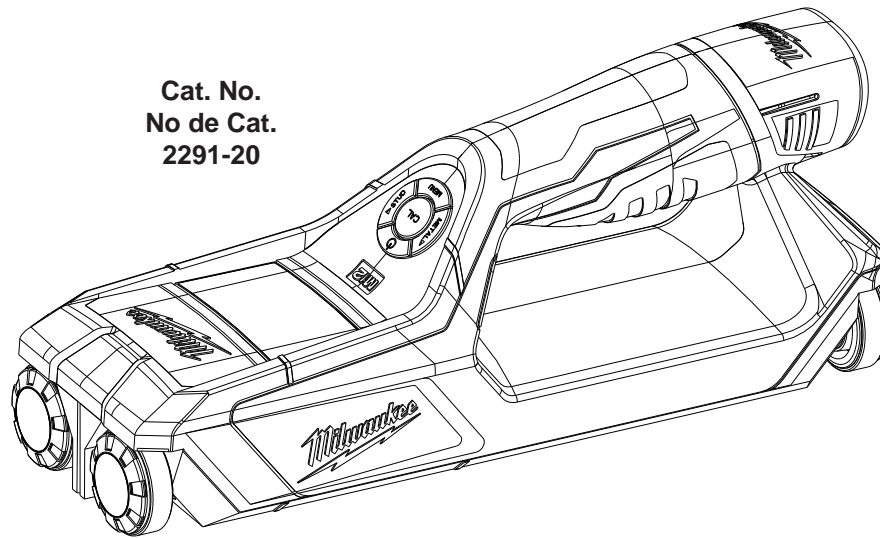




**OPERATOR'S MANUAL
MANUEL de L'UTILISATEUR
MANUAL del OPERADOR**

**Cat. No.
No de Cat.
2291-20**



**M12 SUB-SCANNER™ DETECTION TOOL
OUTIL DE DÉTECTION DE M12 SUB SCANNER™
HERRAMIENTA DE DETECCIÓN SUB-SCANNER™ DE M12**

TO REDUCE THE RISK OF INJURY, USER MUST READ AND UNDERSTAND OPERATOR'S MANUAL.

AFIN DE RÉDUIRE LE RISQUE DE BLESSURES, L'UTILISATEUR DOIT LIRE ET BIEN COMPRENDRE LE MANUEL DE L'UTILISATEUR.

PARA REDUCIR EL RIESGO DE LESIONES, EL USUARIO DEBE LEER Y ENTENDER EL MANUAL DEL OPERADOR.

IMPORTANT SAFETY INSTRUCTIONS

WARNING READ ALL SAFETY WARNINGS AND INSTRUCTIONS. Failure to follow the warnings and instructions may result in electric shock, fire and/or serious injury.

Save these instructions - This operator's manual contains important safety and operating instructions for the MILWAUKEE M12 Sub-Scanner™ Detection Tool. Before using the Sub-Scanner, read this operator's manual, your battery pack and charger operator's manual, and all labels on the battery pack, charger and Sub-Scanner.

WORK AREA SAFETY

•Avoid dangerous environments. Do not use in rain, snow, damp or wet locations. Do not use in the presence of explosive atmospheres (gaseous fumes, dust or flammable materials) because sparks may be generated when inserting or removing battery pack, possibly causing fire.

PERSONAL SAFETY

•Stay alert, watch what you are doing and use common sense when operating the Sub-Scanner. Do not use while you are tired or under the influence of drugs, alcohol or medication. A moment of inattention may result in serious personal injury.

•Do not overreach. Keep proper footing and balance at all times. This enables better control in unexpected situations.

BATTERY USE AND CARE

•Recharge only with the charger specified by the manufacturer. A charger that is suitable for one type of battery pack may create a risk of fire when used with another battery pack.

•Use power tools only with specifically designated battery packs. Use of any other battery packs may create a risk of injury and fire.

•When battery pack is not in use, keep it away from other metal objects like paper clips, coins, keys, nails, screws, or other small metal objects that can make a connection from one terminal to another. Shorting the battery terminals together may cause burns or a fire.

•Under abusive conditions, liquid may be ejected from the battery, avoid contact. If contact accidentally occurs, flush with water. If liquid contacts eyes, additionally seek medical help. Liquid ejected from the battery may cause irritation or burns.

SERVICE

•Have your Sub-Scanner serviced by a qualified repair person using only identical replacement parts. This will ensure that the safety of the tool is maintained.

•Do not disassemble. Incorrect reassembly may result in the risk of electric shock or fire. If it is damaged, take it to a MILWAUKEE service facility.

•Store in a cool, dry place. Do not store where temperatures may exceed 140°F (60°C) such as in direct sunlight, a vehicle or metal building during the summer.

•Do not remove or deface labels. Maintain labels and nameplates. These carry important information. If unreadable or missing, contact a MILWAUKEE service facility for a free replacement.

SYMBOLGY

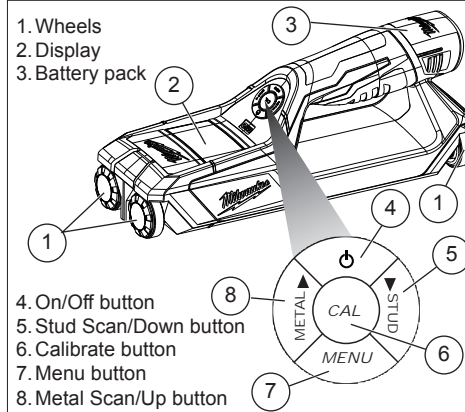
	Direct Current
	Federal Communications Commission
	Read Operator's Manual

FCC Federal Communications Commission

WARNING: Changes or modifications to this unit not expressly approved by the party responsible for compliance could void the user's authority to operate the equipment. This equipment has been tested and found to comply with the limits for a Class B digital device, pursuant to Part 15 of the FCC Rules. These limits are designed to provide reasonable protection against harmful interference in a residential installation. This equipment generates, uses and can radiate radio frequency energy and, if not installed and used in accordance with the instructions, may cause harmful interference to radio communications. However, there is no guarantee that interference will not occur in a particular installation. If this equipment does cause harmful interference to radio or television reception, which can be determined by turning the equipment off and on, the user is encouraged to try to correct the interference by one or more of the following measures:

- Reorient or relocate the receiving antenna.
- Increase the separation between the equipment and receiver.
- Connect the equipment into an outlet on a circuit different from that to which the receiver is connected.
- Consult the dealer or an experienced radio/TV technician for help.

FUNCTIONAL DESCRIPTION



Specifications

Metal Mode depth accuracy: ±0.5" at 0.5" up to 6.0" depth
Metal Mode center accuracy: ±0.5" at 0.5" up to 6.0" depth
Stud Mode center accuracy: ±0.5" at 0.5" up to 1.5" depth
Drop test: 1 meter
Operating temperature: -5°C to 40°C (23°F to 104°F)
Storage temperature: -20°C to 60°C (-4°F to 140°F) without battery

Voltage: 12 DC

Battery run time: Greater than 12 hrs with all functions

ASSEMBLY

WARNING Recharge only with the charger specified for the battery. For specific charging instructions, read the operator's manual supplied with your charger and battery.

Inserting/Removing the Battery

To remove the battery, push in the release buttons and pull the battery pack away from the tool. To insert the battery, slide the pack into the body of the tool. Make sure it latches securely into place.

OPERATION

WARNING Always remove battery pack before changing or removing accessories. Only use accessories specifically recommended for this tool. Others may be hazardous.

On/Off

Press the button to turn the tool on and off.

Sleep Mode

The Sub-Scanner is automatically powered off in about 20 minutes after the last operation. To reset, press any button. If the display is blank when the Sub-Scanner is turned ON, charge the battery according to the battery/charger manual. The Sub-Scanner does use battery power in sleep mode. Be sure to turn OFF the tool to conserve battery power.

Set-up

1. Turn on the Sub-Scanner (defaults to Metal mode without sound).
2. Press the MENU button.
3. Use the up and down buttons to scroll through the menu items (UNITS, SOUND). Use the Calibrate button to select. UNITS - Select either English or Metric units. SOUND - Turn sound On or Off
4. Press the MENU button again to exit.

Selecting Mode

1. Turn on the Sub-Scanner.
2. Metal mode is the default scan setting.
3. To change between Metal and Stud, select the METAL and STUD buttons.

METAL Mode

In metal mode, the Sub-Scanner will detect both ferrous (≥14 mm Ø) and non-ferrous (≥16 mm Ø) metals in concrete up to a depth of 6". The Sub-Scanner can not reliably detect metal behind material of varying densities. Materials such as carpet, wire metal mesh backing, damp walls, and stucco may affect readings. Alternating surfaces, such as thick grout lines or extremely heavy plaster on drywall, may be detected or show as metal or studs.

1. Turn on the Sub-Scanner.
2. Select Metal mode (default).
3. Standard depth of scan (up to 4" deep scan) is defaulted. Press the Metal button to switch to Deep depth of scan (up to 6" deep scan).



NOTE: Deep mode scans may display more "noise" due to the higher sensitivity of the scan.

4. Hold the Sub-Scanner **against** the surface and press the Calibrate button.

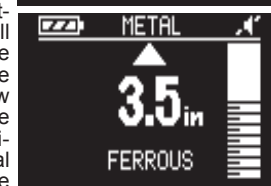


5. The Sub-Scanner must remain flat against and in contact with surface during entire scan. If CALIBRATION ERROR is displayed, the tool was placed in an area where metal is present. Move the Sub-Scanner to another position and restart calibration.



6. When SCANNING is displayed, move the Sub-Scanner across the surface. Keep your free hand and other objects at least 6" (152 mm) away to avoid false readings.

7. When metal is detected, the type (ferrous or non-ferrous) and depth are displayed. Continue to move the Sub-Scanner across the surface. As you approach metal, the distance will decrease. As you move away from the metal, the distance will increase. When the minimum distance and indicator arrow are displayed, the Sub-Scanner is directly over the metal at that distance. The minimum distance and indicator arrow may appear for a short span; the precise center is the center of this span.



NOTE: There may be additional metal material deeper in the wall, but only the closest metal object's depth is displayed.

STUD Mode

In Stud mode, the Sub-Scanner will detect wood or metal studs and joists behind wall board, wooden panels, plaster or other non-metallic wall materials. The Sub-Scanner can not reliably detect studs behind material of varying densities. Materials such as carpet, wire metal mesh backing, damp walls, and stucco may affect readings. Alternating surfaces, such as thick grout lines or extremely heavy plaster on drywall, may be detected or show as metal or studs.

1. Turn on the Sub-Scanner.

2. Select Stud mode.

3. Depth of scan is defaulted to 0.5"

(standard wallboard thickness). To change the depth of scan (0.5", 1", or 1.5"), press the STUD button.

4. Hold the Sub-Scanner against the surface and press the Calibrate button.

NOTE: The Sub-Scanner will not calibrate correctly over studs. To find a location without studs, locate an outlet box and move the Sub-Scanner 6" to either side before beginning calibration.

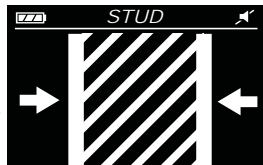
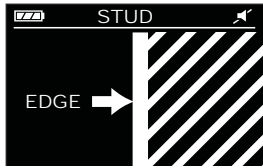
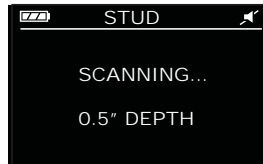
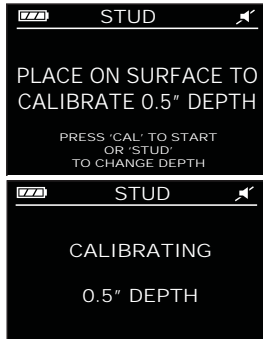
5. When SCANNING is displayed, move the Sub-Scanner across the surface. Keep your free hand and other objects at least 6" (152 mm) away to avoid false readings.

NOTE: The Sub-Scanner must remain flat against and in contact with the surface during the entire scan.

6. When a stud is detected, the edge is displayed. Continue moving the Sub-Scanner to detect the entire stud.

7. When the center of the stud is detected, both arrows are displayed.

NOTE: If electric wires or metal/pipes are in contact with the backside of the wallboard, they may be identified as a stud.



MAINTENANCE

WARNING To reduce the risk of injury, always remove the batteries from the tool before performing any maintenance. Never disassemble the tool. Contact a MILWAUKEE service facility for ALL repairs.

Maintaining Tool

Keep your tool in good repair by adopting a regular maintenance program. If the tool does not start or operate at full power with fully charged batteries, clean the contacts on the battery. If the tool still does not work properly, return the tool to a MILWAUKEE service facility for repairs.

WARNING To reduce the risk of personal injury and damage, never immerse your tool, battery pack or charger in liquid or allow a liquid to flow inside them.

Cleaning

Clean dust and debris from tool vents. Keep tool handles clean, dry and free of oil or grease. Use only mild soap and a damp cloth to clean the tool since certain cleaning agents and solvents are harmful to plastics and other insulated parts. Some of these include gasoline, turpentine, lacquer thinner, paint thinner, chlorinated cleaning solvents, ammonia and household detergents containing ammonia. Never use flammable or combustible solvents around tools.

Repairs

For repairs, return the tool to the nearest service center listed on the back cover of this operator's manual.

ACCESSORIES

WARNING Always remove battery pack before changing or removing accessories. Only use accessories specifically recommended for this tool. Others may be hazardous.

For a complete listing of accessories refer to your MILWAUKEE Electric Tool catalog or go online to www.milwaukeetool.com. To obtain a catalog, contact your local distributor or service center.

FIVE YEAR TOOL LIMITED WARRANTY

MILWAUKEE Test & Measurement Product (including bare tool, battery pack(s) and battery charger) is warranted to the original purchaser only to be free from defects in material and workmanship. Subject to certain exceptions, MILWAUKEE will repair or replace any part on this product which, after examination, is determined by MILWAUKEE to be defective in material or workmanship for a period of five (5) years* after the date of purchase. Return of the Test & Measurement tool to the nearest MILWAUKEE Electric Tool Corporation - factory Service Center, freight prepaid and insured is required. A copy of the proof of purchase should be included with the return product. This warranty does not apply to damage that MILWAUKEE determines to be from repairs made or attempted by anyone other than MILWAUKEE authorized personnel, misuse, alterations, abuse, normal wear and tear, lack of maintenance, or accidents.

*The warranty period for the LITHIUM-ION battery pack that ships with Test & Measurement Product is two (2) years from the date of purchase. *Alkaline battery that ships with Test & Measurement Product is separately warranted by the battery manufacturer.

*The warranty period for a NON-CONTACT VOLTAGE DETECTOR - 2201 20 or Plumb 2-Beam Plumb Laser - 2230 20 is one (1) year from the date of purchase.

Warranty Registration is not necessary to obtain the applicable warranty on MILWAUKEE product. The manufacturing date of the product will be used to determine the warranty period if no proof of purchase is provided at the time warranty service is requested.

ACCEPTANCE OF THE EXCLUSIVE REPAIR AND REPLACEMENT REMEDIES DESCRIBED HEREIN IS A CONDITION OF THE CONTRACT FOR THE PURCHASE OF EVERY MILWAUKEE PRODUCT. IF YOU DO NOT AGREE TO THIS CONDITION, YOU SHOULD NOT PURCHASE THE PRODUCT. IN NO EVENT SHALL MILWAUKEE BE LIABLE FOR ANY INCIDENTAL, SPECIAL, CONSEQUENTIAL OR PUNITIVE DAMAGES, OR FOR ANY COSTS, ATTORNEY FEES, EXPENSES, LOSSES OR DELAYS ALLEGED TO BE AS A CONSEQUENCE OF ANY DAMAGE TO, FAILURE OF, OR DEFECT IN ANY PRODUCT INCLUDING, BUT NOT LIMITED TO, ANY CLAIMS FOR LOSS OF PROFITS. SOME STATES DO NOT ALLOW THE EXCLUSION OR LIMITATION OF INCIDENTAL OR CONSEQUENTIAL DAMAGES, SO THE ABOVE LIMITATION OR EXCLUSION MAY NOT APPLY TO YOU. THIS WARRANTY IS EXCLUSIVE AND IN LIEU OF ALL OTHER WARRANTIES, WRITTEN OR ORAL. TO THE EXTENT PERMITTED BY LAW, MILWAUKEE DISCLAIMS ANY IMPLIED WARRANTIES, INCLUDING WITHOUT LIMITATION ANY IMPLIED WARRANTY OF MERCHANTABILITY OR FITNESS FOR A PARTICULAR USE OR PURPOSE; TO THE EXTENT SUCH DISCLAIMER IS NOT PERMITTED BY LAW, SUCH IMPLIED WARRANTIES ARE LIMITED TO THE DURATION OF THE APPLICABLE EXPRESS WARRANTY AS DESCRIBED ABOVE. SOME STATES DO NOT ALLOW LIMITATIONS ON HOW LONG AN IMPLIED WARRANTY LASTS, SO THE ABOVE LIMITATION MAY NOT APPLY TO YOU, THIS WARRANTY GIVES YOU SPECIFIC LEGAL RIGHTS, AND YOU MAY ALSO HAVE OTHER RIGHTS WHICH VARY FROM STATE TO STATE. This warranty applies to product sold in the U.S.A. and Canada only.

LIMITED WARRANTY - MEXICO, CENTRAL AMERICA AND CARIBBEAN

TECHTRONIC INDUSTRIES' warranty is for 5 year since the original purchase date.

This warranty card covers any defect in material and workmanship on this Power Tool.

To make this warranty valid, present this warranty card, sealed/stamped by the distributor or store where you purchased the product, to the Authorized Service Center (ASC). Or, if this card has not been sealed/stamped, present the original proof of purchase to the ASC.

Call toll-free 1 800 832 1949 to find the nearest ASC, for service, parts, accessories or components.

Procedure to make this warranty valid

Take the product to the ASC, along with the warranty card sealed/stamped by the distributor or store where you purchased the product, and there any faulty piece or component will be replaced without cost for you. We will cover all freight costs relative with this warranty process.

Exceptions

This warranty is not valid in the following situations:

a) When the product is used in a different manners from the end-user guide or instruction manual.

b) When the conditions of use are not normal.

c) When the product was modified or repaired by people not authorized by TECHTRONIC INDUSTRIES.

Note: If cord set is damaged, it should be replaced by an Authorized Service Center to avoid electric risks.

Model: _____

Date of Purchase: _____

Distributor or Store Stamp: _____

SERVICE AND ATTENTION CENTER

Rafael Buelna No.1.

Col. Tezozomoc Mexico, Azcapotzalco D.F.

Ph. 01 800 832 1949

IMPORTED AND COMMERCIALIZED BY:

TECHTRONIC INDUSTRIES MEXICO, S.A. DE C.V.

Av. Santa Fe 481 piso 6, Col. Curz Manca.

CP 05349, Cuajimalpa, D.F.

RÈGLES IMPORTANTES DE SÉCURITÉ

AVERTISSEMENT LIRE TOUTES LES RÈGLES ET INSTRUCTIONS DE SÉCURITÉ. Ne pas suivre l'ensemble des règles et instructions peut entraîner une électrocution, un incendie ou des blessures graves. Conserver ces instructions – Ce manuel d'utilisation contient des instructions importantes de sécurité et de fonctionnement pour l'outil de détection de M12 Sub-Scanner™ de MILWAUKEE. Avant d'utiliser le scanner, lire le présent manuel d'utilisation, le manuel d'utilisation du bloc-piles et du chargeur, ainsi que toutes les étiquettes se trouvant sur le bloc-piles, le chargeur et le scanner.

SÉCURITÉ DU LIEU DE TRAVAIL

- **Éviter les environnements dangereux.** Ne pas exposer l'unité à la pluie ou à la neige et ne pas l'utiliser dans un endroit humide ou mouillé. Ne pas utiliser l'unité dans un endroit propice aux explosions (fumées gazeuses, poussières ou matériaux inflammables); l'insertion ou le retrait du bloc-piles pouvant créer des étincelles, un incendie pourrait alors éclater.

SÉCURITÉ INDIVIDUELLE

- **Rester vigilant, se concentrer sur son travail et faire preuve de bon sens au moment d'utiliser le thermomètre Temp-Gun™.** Ne pas utiliser cet appareil en cas de fatigue ou sous l'influence de l'alcool, de drogues ou de médicaments. Un moment d'inattention pendant l'utilisation de ce produit peut résulter en une blessure grave.
- **Ne pas travailler hors de portée. Se tenir bien campé et en équilibre en tout temps.** Cela permet un meilleur contrôle en cas d'imprévu.

UTILISATION ET ENTRETIEN DE LA BATTERIE

- **Ne recharger le bloc-piles qu'avec le chargeur spécifié par le fabricant.** Un chargeur qui convient à un type de bloc-piles peut créer un risque d'incendie s'il est utilisé avec un autre type de bloc-piles.
- **N'utiliser les outils électriques qu'avec les bloc-piles recommandés.** L'utilisation de tout autre bloc-piles peut créer un risque de blessures et d'incendie.
- **Lorsque le bloc-piles n'est pas utilisé, le tenir éloigné des objets en métal tels que les trombones, les pièces de monnaie, les clés, les clous, les vis ou d'autres petits objets métalliques qui pourraient connecter les bornes.** Le court-circuitage des bornes du bloc-piles peut entraîner des brûlures ou un incendie.
- **Éviter tout contact avec le liquide pouvant être éjecté de la pile en cas de manutention abusive.** En cas de contact accidentel, rincer abondamment avec de l'eau. Si le liquide entre en contact avec les yeux, consulter un médecin. L'électrolyte qui s'échappe de la pile peut causer des démangeaisons ou des brûlures.

ENTRETIEN

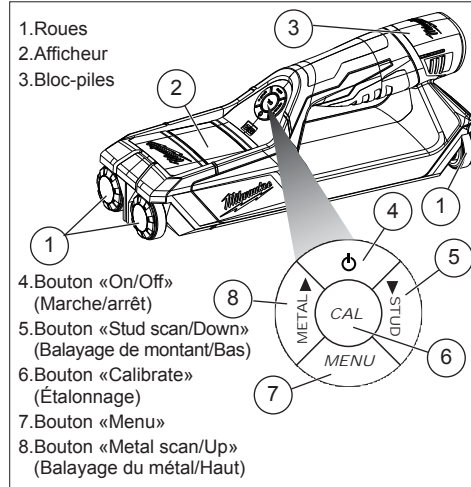
- **Confier la réparation du Sub-Scanner à un réparateur qualifié qui utilise des pièces de rechange identiques aux pièces d'origine,** ce qui préservera la sûreté de l'outil.

- **Ne pas désassembler le produit.** Un remontage inapproprié peut résulter en un risque de décharge électrique ou d'incendie. En cas de dommage, confier le produit à un centre de service MILWAUKEE.
- **Entreposer le produit dans un endroit frais et sec.** Ne pas l'entreposer dans des endroits où la température peut dépasser 60 °C (140 °F) par exemple, un endroit exposé directement à la lumière du soleil, un véhicule ou une construction en métal pendant l'été.
- **Ne pas retirer ou endommager les étiquettes. Maintenir en état les étiquettes et les plaques signalétiques.** Des informations importantes y figurent. Si elles sont illisibles ou manquantes, contacter un centre de services et d'entretien MILWAUKEE pour un remplacement gratuit.

PICTOGRAPHIE

	Volts courant continu
	Federal Communications Commission
	Afin de réduire le risque de blessures, l'utilisateur doit lire le manuel de l'utilisateur.

DESCRIPTION FONCTIONNELLE



FCC Federal Communications Commission

AVERTISSEMENT: Les changements ou les modifications apportés à cette unité non expressément approuvés par l'organisme responsable de la conformité peuvent annuler l'autorité de l'utilisateur à utiliser cet équipement.

Cet équipement a été testé et déclaré conforme aux limites des dispositifs numériques de classe B, en vertu de la section 15 des réglementations de la FCC. Ces limites ont pour but de fournir une protection raisonnable contre les interférences nuisibles dans le cadre d'une installation résidentielle. Cet équipement génère, utilise et peut émettre de l'énergie de radiofréquence. Il est donc recommandé de l'installer et de l'utiliser conformément aux instructions afin d'éviter toute interférence nuisible aux communications radio.

Cependant, il n'existe aucune garantie selon laquelle des interférences ne se produiront pas dans le cas d'une installation spécifique. Si cet appareil provoque des interférences nuisibles pour les réceptions radio et télévisées, ce qui peut être déterminé en l'éteignant puis en le rallumant, il est conseillé d'y remédier en suivant l'une ou plusieurs des mesures suivantes:

- Réorienter ou repositionner l'antenne réceptrice.
- Augmenter l'espace entre l'équipement et le récepteur.
- Brancher l'équipement dans une prise sur un circuit différent de celui sur lequel le récepteur est connecté.
- Consulter le concessionnaire ou un technicien radio/TV expérimenté pour obtenir de l'aide.

Spécifications

Précision de la profondeur en mode « Metal » (Métal) : 13 mm (0,5") à 152 mm (6") ±13 mm (0,5")

Précision au centre en mode « Metal » (Métal) : ±13 mm (0,5") à une profondeur de 13 mm (0,5") à 152 mm (6")

Précision au centre en mode « Stud » (Montant) : 13 mm (0,5") à 38 mm (1,5") ±13 mm (0,5")

Essai de Chute : 1 mètre

Température d'utilisation : -5°C à 40°C (23°F à 104°F)

Température d'entreposage : -20°C à 60°C (-4°F à 140°F) Sans pile

Tension : 12 V c.c

Autonomie des piles : Supérieure à 12 heures pour toutes les fonctions

MONTAGE DE L'OUTIL

AVERTISSEMENT Ne recharger la batterie qu'avec le chargeur spécifié. Pour les instructions de charge spécifiques, lire le manuel d'utilisation fourni avec le chargeur et les batteries.

Insertion/ Retrait de la batterie

Pousser les boutons d'ouverture vers l'intérieur et retirer la batterie de l'outil.

Pour insérer la batterie dans l'outil, la glisser sur le corps de l'outil. S'assurer qu'elle se loge fermement en place.

MANIEMENT

AVERTISSEMENT Il faut toujours retirer la batterie avant de changer ou d'enlever les accessoires. L'emploi d'accessoires autres que ceux qui sont expressément recommandés pour cet outil peut comporter des risques.

Bouton « On/Off » (Marche/arrêt)

Appuyer sur le bouton pour mettre le scanner en marche et à l'arrêt.

Mode « Sleep » (Veille)

Le scanner s'éteint automatiquement environ 20 minutes après la dernière utilisation. Pour le réinitialiser, appuyer sur n'importe quel bouton. Si l'afficheur est vide au moment de mettre en marche le scanner, charger la pile conformément au manuel des piles et du chargeur.

Le scanner dépense l'énergie des piles même en mode veille. S'assurer de régler l'outil à la position « OFF » (Arrêt) pour éviter d'épuiser les piles.

Réglages

1. Mettre le scanner en marche (il s'ouvrira par défaut en mode « Metal » [Métal] avec sourdine activée).
2. Appuyer sur le bouton « MENU ».
3. Utiliser les flèches ascendante et descendante pour faire défiler les articles de menu (« UNITS » [UNITÉS], « SOUND » [SON]). Utiliser le bouton « Calibrate » (Étalonnage) pour choisir l'option désirée. UNITÉS – Permet de choisir l'affichage en unités anglaises ou métriques. SON – Permet d'activer ou de désactiver la fonction de sourdine.
4. Appuyer de nouveau sur le bouton « MENU » pour quitter le mode.

Sélection du mode

1. Mettre le scanner en marche.
2. Le mode « Metal » (Métal) constitue le réglage par défaut.
3. Pour alterner entre le mode « METAL » (Métal) et « STUD » (Montant), sélectionner les boutons « METAL » (Métal) et « STUD » (Montant).

Mode « METAL » (Métal)

En mode « Metal », le scanner détecte les métaux ferreux (≥ 14 mm Ø) et les métaux non ferreux (≥ 16 mm Ø) dans le béton à une profondeur allant jusqu'à 152 mm (6"). L'outil de détection Sub-Scanner ne peut, de façon fiable, détecter d'objets derrière des matériaux de différentes densités. Les matériaux comme le tapis, le grillage métallique, les murs humides et le stuc peuvent nuire aux lectures. Des surfaces alternantes comme des lignes de joints épaisses ou du plâtre extrêmement lourd sur une cloison sèche peuvent être détectées ou s'afficher, par exemple, comme du métal ou des montants.

1. Mettre le scanner en marche.

2. Sélectionner le mode « Metal » (par défaut).

3. La profondeur de balayage standard (jusqu'à 102 mm [4"]) est réglée par défaut. Appuyer sur le bouton « Metal » pour ajuster l'outil en fonction d'une grande profondeur de balayage (jusqu'à 152 mm [6"]).

NOTE : Les balayages effectués en mode « Deep » (Grande profondeur) peuvent occasionner plus de « bruit » en raison du niveau de sensibilité plus élevé du balayage.

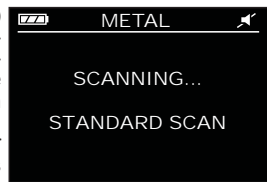
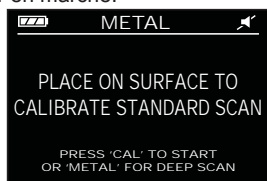
4. Tenir le scanner contre la surface et appuyer sur le bouton « Calibrate » (Étalonnage) pour procéder à l'étalonnage.

5. Le scanner doit demeurer à plat contre la surface pendant toute la durée du balayage.

Si le message « CALIBRATION ERROR » (Erreur d'étalonnage) s'affiche, cela signifie que le scanner a été placé dans une section présentant du métal. Déplacer le scanner vers une autre position et recommencer l'étalonnage.

6. Déplacez le scanner à travers la surface. Tenir la main libre et les autres objets à une distance d'au moins 152 mm (6") de l'outil pour éviter d'obtenir une lecture erronée.

7. Lorsque du métal est détecté, le type (ferreux ou non ferreux) et la profondeur sont affichés. Continuer à déplacer le scanner d'un côté à l'autre de la surface. Si l'utilisateur approche l'outil du métal, la distance affichée diminue. S'il éloigne l'outil du métal, la distance affichée augmente. Si la distance minimale et la flèche de l'indicateur sont affichées, le scanner passe directement au-dessus du métal à cette distance. La distance minimale et la flèche de l'indicateur peuvent être affichées sur une courte période. Le centre précis coïncide avec le milieu de cette page.



NOTE : On peut trouver des matériaux en métal supplémentaires à une plus grande profondeur dans le mur. Toutefois, seule la profondeur des objets métalliques les plus près s'affiche.

Mode « STUD » (Montant)

En mode « Stud », le scanner détecte les montants et les solives en bois et en métal se trouvant derrière les panneaux de revêtement, les panneaux en bois, le plâtre ou les autres matériaux muraux non métalliques. L'outil de détection Sub-Scanner ne peut, de façon fiable, détecter d'objets derrière des matériaux de différentes densités. Les matériaux comme le tapis, le grillage métallique, les murs humides et le stuc peuvent nuire aux lectures. Des surfaces alternantes comme des lignes de joints épaisses ou du plâtre extrêmement lourd sur une cloison sèche peuvent être détectées ou s'afficher, par exemple, comme du métal ou des montants.

1. Mettre le scanner en marche.

2. Sélectionner le mode « Stud » (Montant).

3. La profondeur de balayage est réglée par défaut à 13 mm (0,5"). Pour modifier la profondeur de balayage (13 mm [0,5"], 25 mm [1"] ou 38 mm [1,5"]), appuyer sur le bouton « STUD ».

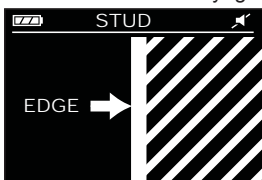
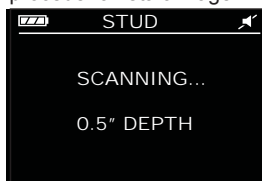
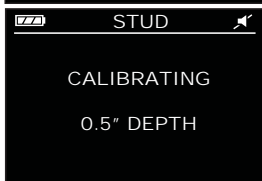
4. Tenir le scanner contre la surface et appuyer le bouton « Calibrate » (Étalonnage).

NOTE : Le scanner ne permet pas d'effectuer un étalonnage adéquat au dessus des montants. Pour trouver un emplacement sans montants, repérer une boîte de sortie électrique et déplacer le scanner de 152 mm (6") de l'un ou l'autre des côtés avant de procéder à l'étalonnage.

5. Si l'indication « SCANNING » (Étalonnage) s'affiche, déplacez le scanner à travers la surface. Tenir la main libre et les autres objets à une distance d'au moins 152 mm (6") de l'outil pour éviter d'obtenir une lecture erronée.

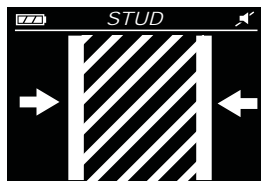
NOTE : Le scanner doit demeurer à plat contre la surface pendant toute la durée du balayage.

6. Si un montant est détecté, le rebord s'affiche. Continuer de déplacer le scanner afin de détecter tout le montant.



7. Si le centre du montant est détecté, les deux flèches s'affichent.

NOTE : Si des fils électriques, des pièces métalliques ou des tuyaux sont en contact avec l'endos du revêtement mural, ils peuvent être considérés comme un montant.



ENTRETIEN

AVERTISSEMENT Pour réduire le risque de blessures, toujours retirer les piles de l'outil avant d'en assurer l'entretien. Ne jamais démonter l'outil. Pour toute réparation, communiquer avec un centre de service MILWAUKEE.

Entretien de l'outil

Garder l'outil en bon état en le soumettant à un programme d'entretien régulier. Après six mois, selon l'utilisation, confier l'outil à un centre de service MILWAUKEE.

Si l'outil ne démarre pas ou ne fonctionne pas à plein régime une fois les piles complètement chargées, nettoyer les contacts du compartiment des piles. Si l'outil ne fonctionne toujours pas correctement, le confier à un centre de service MILWAUKEE afin de le faire réparer.

AVERTISSEMENT Pour minimiser les risques de blessures ou de dommages à l'outil, n'immergez jamais l'outil, la batterie ou le chargeur et ne laissez pas de liquide s'y infiltrer.

Nettoyage

Nettoyer les événements de l'outil des débris et de la poussière. Garder les poignées de l'outil propres, sèches et exemptes d'huile ou de graisse. Utiliser uniquement un savon doux et un linge humide, puisque certains agents de nettoyage et certains solvants peuvent détériorer le plastique et les autres pièces isolées. En voici des exemples : l'essence, la térébenthine, les diluants à laque ou à peinture, les solvants chlorés, l'ammoniaque et les détergents à usage domestique qui en contiennent. Ne jamais utiliser de solvants inflammables ou combustibles autour des outils.

Réparations

Pour toute réparation, confier l'outil au centre de service le plus près indiqué au dos du présent manuel d'utilisation.

ACCESSOIRES

AVERTISSEMENT Retirez toujours la batterie avant de changer ou d'enlever les accessoires. L'utilisation d'autres accessoires que ceux qui sont spécifiquement recommandés pour cet outil peut comporter des risques.

Pour une liste complète des accessoires, prière de se reporter au catalogue MILWAUKEE Electric Tool ou visiter le site internet www.milwaukeetool.com. Pour obtenir un catalogue, il suffit de contacter votre distributeur local ou l'un des centres-service.

GARANTIE LIMITÉE - AUX ÉTATS-UNIS ET AU CANADA

Les produits d'essai et de mesure MILWAUKEE (y compris l'outil, les blocs-piles au lithium-ion et le chargeur, mais non les piles alcalines) sont garantis à l'acheteur d'origine être exempts de vice du matériau et de fabrication. Sous réserve de certaines exceptions, MILWAUKEE réparera ou remplacera toute pièce de ce produit qui, après examen par MILWAUKEE, s'avère être affectée d'un vice du matériau ou de fabrication, pendant une période de cinq (5) ans* après la date d'achat. Retourner l'outil d'essai et de mesure, accompagné d'une copie de la preuve d'achat, au centre de réparations en usine MILWAUKEE (société d'outils électriques) le plus près. Cette garantie ne couvre pas les dommages que MILWAUKEE détermine être causés par des réparations ou des tentatives de réparation par quiconque autre que le personnel agréé par MILWAUKEE, des utilisations incorrectes, des altérations, des utilisations abusives, une usure normale, une carence d'entretien ou les accidents.

*La période de la garantie du bloc-piles au lithium-ion qui est fourni avec l'outil d'essai et de mesure est de deux (2) ans à compter de la date d'achat. *La pile alcaline qui est fournie avec l'outil d'essai et de mesure bénéficie d'une garantie distincte accordée par le fabricant de la pile. *La période de la garantie d'un DÉTECTEUR DE TENSION SANS CONTACT – 2201-20 est d'un (1) an à partir de la date d'achat. L'enregistrement de la garantie n'est pas nécessaire pour bénéficier de la garantie en vigueur sur un produit MILWAUKEE. La date de fabrication du produit servira à établir la période de garantie si aucune preuve d'achat n'est fournie lors d'une demande de service sous garantie est faite.

L'ACCEPTATION DES RECOURS EXCLUSIFS DE RÉPARATION ET DE REMPLACEMENT DÉCRITS AUX PRÉSENTS EST UNE CONDITION DU CONTRAT D'ACHAT DE TOUT PRODUIT MILWAUKEE. SI VOUS N'ACCEPTÉZ PAS CETTE CONDITION, VOUS NE DEVEZ PAS ACHETER LE PRODUIT. EN AUCUN CAS MILWAUKEE NE SAURAIT ÊTRE RESPONSABLE DE TOUT DOMMAGE ACCESSOIRE, SPÉCIAL OU INDIRECT, DE DOMMAGES-INTÉRÊTS PUNITIFS OU DE TOUTE DÉPENSE, D'HONORAIRES D'AVOCATS, DE FRAIS, DE PERTE OU DE DÉLAIS ACCESSOIRES À TOUT DOMMAGE, DÉFAILLANCE OU DÉFAUT DE TOUT PRODUIT, Y COMPRIS NOTAMMENT LES PERTES DE PROFIT. CERTAINS ÉTATS ET PROVINCES NE PERMETTANT PAS L'EXCLUSION OU LA LIMITATION DES DOMMAGES DIRECTS OU INDIRECTS, LES RESTRICTIONS CI-DESSUS PEUVENT NE PAS ÊTRE APPLICABLES. CETTE GARANTIE EST EXCLUSIVE ET REMPLACE TOUTE AUTRE GARANTIE EXPRESSE, QU'ELLE SOIT ORALE OU ÉCRITE. DANS LA MESURE PERMISE PAR LA LOI. MILWAUKEE RENONCE À TOUTE GARANTIE IMPLICITE, Y COMPRIS, SANS S'Y LIMITER, TOUTE GARANTIE IMPLICITE DE QUALITÉ MARCHANDE OU D'ADAPTATION À UNE UTILISATION OU À UNE FIN PARTICULIÈRE. DANS LA MESURE OU UNE TELLE STIPULATION D'EXONÉRATION N'EST PAS PERMISE PAR LA LOI, LA DURÉE DE CES GARANTIES IMPLICITES EST LIMITÉE À LA PÉRIODE APPLICABLE DE LA GARANTIE EXPRESSE, TEL QUE DÉCRIT PRÉCÉDEMMENT. CERTAINS ÉTATS ET PROVINCES NE PERMETTANT PAS DE LIMITATION DE DURÉE DES GARANTIES IMPLICITES, LES RESTRICTIONS CI-DESSUS PEUVENT NE PAS ÊTRE APPLICABLES. LA PRÉSENTE CONFÈRE À L'UTILISATEUR DES DROITS LÉGAUX PARTICULIERS; IL BÉNÉFICIE ÉGALEMENT D'AUTRES DROITS QUI VARIENT D'UN ÉTAT À L'AUTRE.

Cette garantie s'applique aux produits vendus aux États-Unis, au Canada et au Mexique uniquement.

GARANTIE LIMITÉE – MEXIQUE, AMÉRIQUE CENTRALE ET CARAÏBES

TECHTRONIC INDUSTRIES® garantit le produit pendant cinq ans à partir de la date d'achat d'origine. Le présent bon de garantie couvre tous les vices de matériau et de fabrication que peut afficher cet outil électrique. Pour assurer la validité de la présente garantie, veuillez présenter le bon de commande, estampillé du sceau du distributeur ou du magasin où le produit a été acheté, au centre de réparations agréé. Si le bon de commande n'a pas été estampillé, veuillez fournir la preuve d'achat d'origine au centre de réparations agréé. Pour un entretien, des pièces, des accessoires ou d'autres composants, composer sans frais le 1-800-832-1949 afin d'obtenir les coordonnées du centre de réparations agréé le plus près.

Procédure pour assurer la validité de la garantie

Présenter le produit au centre de réparations agréé, accompagné du bon de commande estampillé du sceau du distributeur ou du magasin où le produit a été acheté. Toute pièce défectueuse ou tout composant défectueux sera remplacé sans frais. Milwaukee assume tous les frais de transport liés à ce processus de garantie.

Exceptions

La garantie ne s'applique pas dans les situations suivantes :

- Si le produit a été utilisé pour une fin autre que celle indiquée dans le guide de l'utilisateur final ou le manuel d'instructions.
- Si les conditions d'utilisations ne sont pas habituelles.
- Si le produit a été modifié ou réparé par une personne non autorisée par TECHTRONIC INDUSTRIES.

Note : Si le cordon électrique est endommagé, il doit être remplacé par un centre de réparations agréé pour éviter les risques d'électrocution.

Modèle : _____

Date d'achat : _____

Sceau du distributeur ou du magasin : _____

CENTRE DE RÉPARATIONS ET DE SERVICE
Rafael Buelna No.1.
Col. Tezozomoc Mexico, Azcapotzalco D.F.
Ph. 01 800 832 1949

IMPORTÉ ET COMMERCIALISÉ PAR :
TECHTRONIC INDUSTRIES MEXICO, S.A. DE C.V.
Av. Santa Fe 481 piso 6, Col. Curz Manca.
CP 05349, Cuajimalpa, D.F.

INSTRUCCIONES IMPORTANTES DE SEGURIDAD

⚠️ ADVERTENCIA LEA TODAS LAS ADVERTENCIAS E INSTRUCCIONES DE SEGURIDAD.

La inobservancia de las advertencias e instrucciones puede causar una descarga eléctrica, un incendio y/o lesiones graves.

Guardé estas instrucciones: Este manual del operador contiene instrucciones importantes de seguridad y funcionamiento para la Herramienta de detección Sub-Scanner™ de M12 MILWAUKEE. Antes de usar el escáner, lea este manual del operador, su manual del operador del paquete de baterías y del cargador, y todas las etiquetas del paquete de baterías, del cargador y del escáner.

SEGURIDAD EN EL ÁREA DE TRABAJO

•Evite los entornos peligrosos. No use este producto bajo la lluvia, la nieve ni en lugares húmedos o mojados. No lo use en atmósferas explosivas (emanaciones de gas, polvo o materiales inflamables), ya que al introducir o quitar la batería se pueden generar chispas, lo que posiblemente producirá un incendio.

SEGURIDAD PERSONAL

- Permanezca alerta, preste atención a lo que esté haciendo y use el sentido común al utilizar el Temp-Gun™. No use este producto si está cansado o se encuentra bajo los efectos de las drogas, el alcohol o algún medicamento. Un momento de descuido puede causar lesiones personales graves.
- No estire el cuerpo para alcanzar mayor distancia. Mantenga los pies bien asentados y conserve el equilibrio en todo momento. Esto permite tener un mejor control en situaciones inesperadas.

USO Y CUIDADO DE LAS HERRAMIENTAS CON BATERÍA

- Recargue la batería solamente con el cargador especificado por el fabricante. Un cargador apropiado para un tipo de batería puede crear riesgo de incendio cuando se usa con otra batería.
- Use las herramientas eléctricas solamente con baterías específicamente diseñadas. El uso de cualquier otro tipo de batería puede crear riesgo de lesiones e incendio.
- Cuando no se use la batería manténgala alejada de otros objetos de metal como clips para papel, monedas, llaves, clavos, tornillos u otros objetos de metal pequeños que puedan realizar una conexión entre los terminales. Realizar un cortocircuito en los terminales de la batería puede provocar quemaduras o un incendio
- En condiciones abusivas, puede salir líquido expulsado de la batería; evite el contacto. Si se produce un contacto accidental, lávese con agua. Si el líquido entra en contacto con los ojos, además busque atención médica. El líquido que sale expulsado de la batería puede provocar irritaciones o quemaduras.

MANTENIMIENTO

- Haga que un técnico calificado realice el mantenimiento de su Sub-Scanner utilizando solamente piezas de repuesto idénticas. Esto asegurará que se mantenga la seguridad de la herramienta.
- No desarme el producto. Si se vuelve a armar de manera incorrecta, puede causar un riesgo de descarga eléctrica o de incendio. Si el producto está dañado, llévelo a una instalación de servicio MILWAUKEE.
- Almacene el producto en un lugar limpio y seco. No lo guarde en lugares donde la temperatura supere los 60 °C (140 °F), como por ejemplo bajo la luz solar directa, en un vehículo o en un edificio metálico durante el verano.
- No retire ni deteriore las etiquetas. Mantenga las etiquetas y las placas de identificación. Estas contienen información importante. Si es ilegible o faltante, comuníquese con una instalación de servicio MILWAUKEE para solicitar un reemplazo gratuito.

SIMBOLOGÍA

	Volts de corriente alterna
	Federal Communications Commission
	Para reducir el riesgo de lesiones, el usuario debe leer y entender el manual del operador.

Especificaciones

Precisión de profundidad en modo Metal:

entre 13 mm (0,5") y 152 mm (6") ±13 mm (0,5")

Precisión de centro en modo Metal:

±13 mm (0,5") a una profundidad de entre 13 mm (0,5") y 152 mm (6")

Precisión de profundidad en modo Stud (puntal):

entre 13 mm (0,5") y 38 mm (1,5") ±13 mm (0,5")

Prueba de la Caída: 1 metro

Temperatura de funcionamiento:

entre -5°C y 40°C (entre 23°F y 104°F)

Temperatura de almacenamiento:

entre -20°C y 60°C (entre -4°F y 140°F) sin batería

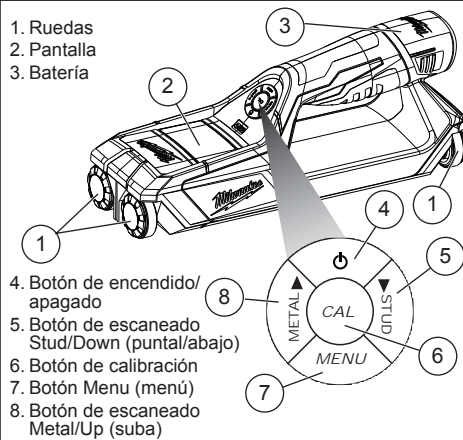
Voltaje: 12 corr. cont.

Tiempo de funcionamiento de batería:

Más de 12 h con todas las funciones

DESCRIPCIÓN FUNCIONAL

1. Ruedas
2. Pantalla
3. Batería



FC Federal Communications Commission

ADVERTENCIA: Los cambios o modificaciones hechos a esta unidad sin la autorización expresa del responsable del cumplimiento de la norma podrían anular la autoridad del usuario para manejar el equipo.

Se ha verificado y determinado que este equipo cumple con los límites correspondientes a los dispositivos digitales de Clase B, de acuerdo con la Parte 15 de las Normas de la FCC. Estos límites se han diseñado para garantizar una protección razonable contra interferencias perjudiciales en instalaciones residenciales. Este equipo genera, utiliza y puede radiar energía de radiofrecuencia y, si no se instala y utiliza en conformidad con las instrucciones, puede generar interferencia perjudicial para la radiocomunicación. No obstante, no se garantiza que no se produzca interferencia en una instalación concreta. Si este equipo, en efecto, genera interferencia perjudicial para la recepción de radio o televisión, que se puede determinar apagando y encendiendo el equipo, se insta al usuario a intentar corregir la interferencia tomando una o varias de las siguientes medidas:

- Reorientar o reubicar la antena receptora.
- Aumentar la distancia que separa al equipo del receptor.
- Conectar el equipo a un tomacorriente de otro circuito distinto a aquel que tiene conectado el receptor.
- Solicitar ayuda al distribuidor o a un técnico de radio y televisión experto.

ENSAMBLAJE

ADVERTENCIA Recargue la batería sólo con el cargador especificado para ella. Para instrucciones específicas sobre cómo cargar, lea el manual del operador suministrado con su cargador y la batería.

Inserción/Extracción de la batería de la herramienta

Presione los botones de liberación y jale de la batería para sacarla de la herramienta. Para insertar la batería en la herramienta, deslícela sobre el cuerpo de la herramienta. Asegúrese de que se asegura bien en su posición.

OPERACION

ADVERTENCIA Para reducir el riesgo de lesiones, siempre quite la batería antes de cambiar o quitar accesorios. Use solamente accesorios específicamente recomendados para esta herramienta. El uso de otros puede resultar peligroso.

Encendido/apagado

Presione el botón para encender y apagar el escáner.

Modo de espera

El escáner se apaga automáticamente en, aproximadamente, 20 minutos después de la última vez que estuvo en funcionamiento. Para reajustarlo, presione cualquier botón. Si la pantalla está en blanco cuando se enciende el escáner, cargue la batería según el manual de la batería/del cargador.

El escáner usa la energía de la batería durante el modo de espera. Asegúrese de apagar la herramienta para conservar la energía de la batería.

Configuración

1. Encienda el escáner (está predeterminado en el modo Metal sin sonido).
2. Presione el botón MENU (menú).
3. Use los botones arriba ▲ y abajo ▼ para desplazarse a través de las opciones del menú (UNITS, SOUND [unidades, sonido]). Use el botón de calibración para seleccionar.
UNITS (unidades): seleccione English (unidades del sistema inglés) o Metric (unidades del sistema métrico).
SOUND (sonido): encienda o apague el sonido.
4. Presione nuevamente el botón MENU (menú) para salir.

Modo de selección

1. Encienda el escáner.
2. El modo Metal es la configuración predeterminada de escaneado.
3. Para cambiar entre el modo Metal y el modo Stud (puntal), seleccione los botones METAL y STUD (puntal).

Modo METAL

En el modo Metal, el escáner detecta tanto los metales ferrosos (>14 mm Ø) como los no ferrosos (>16 mm Ø) en concreto hasta una profundidad de 152 mm (6"). El Sub-Scanner no puede efectuar detecciones confiables detrás de material con densidades variables. Los materiales como alfombras, rellenos de malla metálica, paredes húmedas y estuco pueden afectar las lecturas. Es posible que algunas superficies alternantes como líneas gruesas de mortero o yeso extremadamente pesado en paneles de muro seco tipo drywall sean detectadas o aparezcan como metal o puntales.

1. Encienda el escáner.
2. Seleccione el modo Metal (configuración predeterminada).
3. La profundidad predeterminada del escaneado es la estándar (escaneado de hasta 102 mm (4") de profundidad). Presione el botón Metal para pasar a la profundidad de escaneado Deep (profundo) (escaneado profundo de hasta 152 mm [6"]).

NOTA: Los escaneados de modo Deep (profundo) pueden mostrar más "ruido" debido a que la sensibilidad del escaneado es más alta.

4. Sostenga el escáner contra la superficie y presione el botón de calibración para calibrar.
5. El escáner debe permanecer plano contra la superficie y en contacto con esta durante todo el escaneado.

Si se muestra el mensaje CALIBRATION ERROR (error de calibración), el escáner estuvo colocado en un área donde había metal. Mueva el escáner a otra posición y reinicie la calibración.

6. Mueva el escáner a través de la superficie. Mantenga la mano libre y otros objetos a una distancia de, al menos, 152 mm (6") para evitar lecturas falsas.
7. Cuando se detecta metal, se muestran en pantalla el tipo (ferroso o no ferroso) y la profundidad. Siga moviendo el escáner sobre la superficie. A medida que se acerca al metal, la distancia disminuye. A medida que se aleja del metal, la distancia aumenta. Cuando se muestran la distancia mínima y la flecha indicadora, el escáner se encuentra directamente sobre el metal a esa distancia. La distancia mínima y la flecha indicadora pueden aparecer por un tramo corto; el centro preciso es el centro de este tramo.

NOTA: Puede haber materiales metálicos adicionales, más profundos en la pared, pero solo se muestra la profundidad del objeto metálico más cercano.



Modo STUD (puntal)

En el modo Stud (puntal), el escáner detecta puntales y vigas de madera o metal detrás de las tablas de pared, paneles de madera, yeso u otros materiales no metálicos para paredes. El Sub-Scanner no puede efectuar detecciones confiables detrás de material con densidades variables. Los materiales como alfombras, rellenos de malla metálica, paredes húmedas y estuco pueden afectar las lecturas. Es posible que algunas superficies alternantes como líneas gruesas de mortero o yeso extremadamente pesado en paneles de muro seco tipo drywall sean detectadas o aparezcan como metal o puntales.

1. Encienda el escáner.
2. Seleccione el modo Stud (puntal).

3. La profundidad predeterminada de escaneado es 13 mm (0,5"). Para cambiar la profundidad de escaneado (13 mm [0,5"], 25 mm [1"] o 38 mm [1,5"]), presione el botón STUD (puntal).

4. Sostenga el escáner contra la superficie y presione el botón de calibración.

NOTA: El escáner no calibra correctamente sobre puntales. Para encontrar un lugar sin puntales, ubique una caja de toma de corriente y mueva el escáner 152 mm (6") hacia cualquiera de los lados antes de comenzar la calibración.

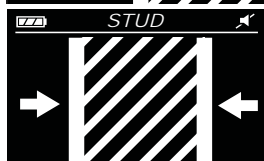
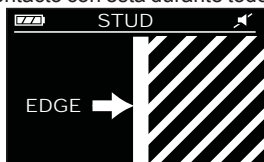
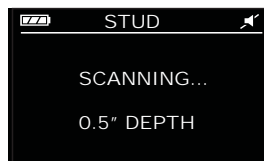
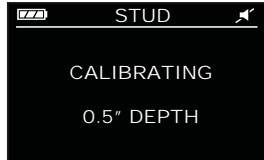
5. Cuando se muestra SCANNING (escaneando), mueva el escáner a través de la superficie. Mantenga la mano libre y otros objetos a una distancia de, al menos, 152 mm (6") para evitar lecturas falsas.

NOTA: El escáner debe permanecer plano contra la superficie y en contacto con esta durante todo el escaneado.

6. Cuando se detecta un puntal, se muestra su borde. Siga moviendo el escáner para detectar todo el puntal.

7. Cuando se detecta el centro del puntal, se muestran las dos flechas.

NOTA: Si hay cables eléctricos o metales/tuberías que entran en contacto con la parte posterior de la tabla para pared, estos pueden ser identificados como un puntal.



ACCESORIOS

⚠️ ADVERTENCIA Para reducir el riesgo de lesiones, siempre extraiga la batería antes de cambiar o retirar accesorios. Utilice únicamente accesorios específicamente recomendados para esta herramienta. El uso de accesorios no recomendados podría resultar peligroso.

Para una lista completa de accesorios, refiérase a su catálogo *MILWAUKEE Electric Tool* o visite nuestro sitio en Internet: www.milwaukeetool.com. Para obtener un catálogo, contacte su distribuidor local o uno de los centros de servicio.

MANTENIMIENTO

⚠️ ADVERTENCIA Para reducir el riesgo de lesiones, siempre retire las baterías de la herramienta antes de realizar mantenimiento. Nunca desarme la herramienta. Comuníquese con una instalación de servicio *MILWAUKEE* para que se realicen **TODAS** las reparaciones.

Mantenimiento de la herramienta

Mantenga su herramienta en buenas condiciones adoptando un programa de mantenimiento regular. Después de un período de entre seis meses y un año, según el uso, envíe la herramienta a una instalación de servicio *MILWAUKEE*.

Si la herramienta no enciende o no funciona al máximo de potencia con baterías completamente cargadas, limpie los contactos de la puerta de las baterías. Si la herramienta aún no funciona correctamente, envíela a una instalación de servicio *MILWAUKEE* para que la reparen.

⚠️ ADVERTENCIA Para reducir el riesgo de una explosión, no queme nunca una batería, aun si está dañada, "muerta" o completamente descargada.

Limpieza

Limpie el polvo y los desechos de las ventilaciones de la herramienta. Mantenga los mangos de la herramienta limpios, secos y sin aceite ni grasa. Use solamente jabón suave y un paño húmedo para limpiar la herramienta, ya que algunos agentes de limpieza y solventes son dañinos para los plásticos y otras partes aisladas. Algunos de estos son la gasolina, aguarrás, decapante para laca, decapante para pintura, solventes para limpieza con cloro, amoníaco y detergentes domésticos que contienen amoníaco. Nunca use solventes inflamables ni combustibles cerca de las herramientas.

Reparaciones

Para realizar reparaciones, envíe la herramienta al centro de servicio más cercano que figure en la contraportada de este manual del operador.

GARANTÍA LIMITADA - E.U.A. Y CANADÁ

Se garantiza al comprador original que los productos de pruebas y mediciones *MILWAUKEE* (que incluyen la herramienta, la(s) batería(s) de iones de litio y el cargador de baterías, excepto las baterías alcalinas) no presentan defectos de material ni de mano de obra. Sujeto a ciertas excepciones, *MILWAUKEE* reparará o reemplazará cualquier pieza de este producto que, después de ser examinada, *MILWAUKEE* determine que es defectuosa por material o mano de obra durante un período de cinco (5) años* después de la fecha de compra. Envíe la herramienta de pruebas y mediciones, y una copia del comprobante de la compra al centro de servicio más cercano de fábrica de *MILWAUKEE Electric Tool Corporation*. Esta garantía no se aplica a los daños que *MILWAUKEE* determine son consecuencia de reparaciones realizadas o intentos de reparaciones por parte de personal no autorizado por *MILWAUKEE*, uso indebido, alteraciones, abuso, desgaste y deterioro normales, falta de mantenimiento o accidentes.

*El período de garantía para la batería de IONES DE LITIO que viene con la herramienta de pruebas y mediciones es de dos (2) años a partir de la fecha de compra. *La batería alcalina que viene con la herramienta de pruebas y mediciones tiene una garantía por separado otorgada por el fabricante de la batería. *El período de garantía para un DETECTOR DE VOLTAJE SIN CONTACTO – 2201-20 es de un (1) año a partir de la fecha de compra.

No se necesita registro de garantía para obtener la garantía correspondiente de los productos *MILWAUKEE*. Se usará la fecha de fabricación del producto para determinar el período de garantía en caso de no presentarse el comprobante de la compra en el momento de solicitar el servicio de garantía.

LA ACEPTACIÓN DE LOS DERECHOS A REPARACIÓN Y REEMPLAZO EXCLUSIVAMENTE DESCRITOS EN EL PRESENTE DOCUMENTO CONSTITUYE UNA CONDICIÓN DEL CONTRATO POR LA COMPRA DE CADA PRODUCTO *MILWAUKEE*. SI NO ACEPTA ESTA CONDICIÓN, NO DEBE COMPRAR EL PRODUCTO. *MILWAUKEE* NO SERÁ EN NINGÚN CASO RESPONSABLE DE DAÑOS INCIDENTALES, ESPECIALES, CONSECUENTES O PUNITIVOS, NI DE COSTOS, HONORARIOS DE ABOGADOS, GASTOS, PÉRDIDAS O DEMORAS SUPUESTAMENTE CAUSADOS COMO CONSECUENCIA DE CUALQUIER DAÑO, FALLA O DEFECTO EN CUALQUIER PRODUCTO, INCLUIDOS, A MODO DE EJEMPLO, RECLAMOS POR PÉRDIDA DE GANANCIAS. ALGUNOS ESTADOS NO PERMITEN LA EXCLUSIÓN O LA LIMITACIÓN DE DAÑOS INCIDENTALES O CONSECUENTES. POR LO TANTO, LAS LIMITACIONES Y EXCLUSIONES ANTERIORES PUEDEN NO APLICARSE PARA USTED. ESTA GARANTÍA ES EXCLUSIVA Y SUSTITUYE A TODAS LAS OTRAS GARANTÍAS EXPRESAS, ESCRITAS U ORALES. SEGÚN LO PERMITA LA LEY, *MILWAUKEE* SE EXIME DE TODA GARANTÍA IMPLÍCITA, INCLUIDOS, A MODO DE EJEMPLO, TODA GARANTÍA IMPLÍCITA DE COMERCIABILIDAD O IDONEIDAD PARA UN USO O PROPÓSITO EN PARTICULAR; EN LA MEDIDA EN QUE DICHA RENUNCIA NO ESTÉ PERMITIDA POR LA LEY, DICHAS GARANTÍAS IMPLÍCITAS ESTÁN LIMITADAS A LA DURACIÓN DE LA GARANTÍA EXPRESA APLICABLE SEGÚN SE DESCRIBE ANTERIORMENTE. ALGUNOS ESTADOS NO PERMITEN LIMITACIONES EN LA DURACIÓN DE UNA GARANTÍA IMPLÍCITA. POR LO TANTO, LA LIMITACIÓN ANTERIOR PUEDE NO APLICARSE PARA USTED. ESTA GARANTÍA LE OTORGA DERECHOS LEGALES ESPECÍFICOS Y TAMBIÉN PUEDE TENER OTROS DERECHOS QUE VARIAN DE ESTADO EN ESTADO.

Esta garantía se aplica únicamente a los productos vendidos en EE. UU., Canadá y México.

PÓLIZA DE GARANTÍA - VALIDA SOLO PARA MÉXICO, AMÉRICA CENTRAL Y EL CARIBE

TECHTRONIC INDUSTRIES, garantiza por 5 años este producto a partir de la fecha original de compra. Esta garantía cubre cualquier defecto que presenten las piezas, componentes y la mano de obra contenidas en este producto. Para América Central y el Caribe se debe confirmar en el Centro de Servicio Autorizado el plazo de la garantía.

Para hacer efectiva la Garantía deberá presentar al Centro de Servicio Autorizado la Póliza de Garantía sellada por el establecimiento en donde adquirió el producto. Si no la tienen, podrá presentar el comprobante de compra original.

Usted puede llamar sin costo al teléfono 01 800 832 1949 o por correo electrónico a la dirección "servicio@tigroupna.com", para ubicar el Centro de Servicio Autorizado más cercano a su domicilio, en el cual además podrá adquirir partes, componentes, consumibles y accesorios, que usted necesite.

Procedimiento para hacer válida la garantía

Acuda al Centro de Servicio con el producto y la póliza de garantía sellada por el establecimiento donde realizó la compra. Ahí se reemplazará cualquier pieza o componente defectuoso sin cargo alguno para el usuario final. La empresa se hace responsable de los gastos de transportación razonablemente erogados que se deriven del cumplimiento de la presente garantía.

Excepciones

La garantía perderá validez en los siguientes casos:

- Cuando el producto se hubiese utilizado en condiciones distintas a las normales.
- Cuando el producto no hubiese sido operado de acuerdo con el instructivo de uso que le acompaña.
- Cuando el producto hubiese sido alterado o reparado por personas no autorizadas por *TECHTRONIC INDUSTRIES*.

Nota: Si el cordón de alimentación es dañado, este debe ser reemplazado por el fabricante o por un Centro de Servicio Autorizado para evitar riesgo.

Modelo: _____

Fecha de Compra: _____

Sello del Distribuidor: _____

CENTRO DE SERVICIO Y ATENCIÓN A CLIENTES
Rafael Buelha No.1. Col. Tezozomoc Mexico, D.F.
Tel. 01 800 832 1949

IMPORTADO Y COMERCIALIZADO POR:
TECHTRONIC INDUSTRIES MEXICO, S.A. DE C.V.
Av. Santa Fe 481 piso 6, Col. Curz Manca.
CP 05349, Cuajimalpa, D.F.

UNITED STATES MILWAUKEE Service

MILWAUKEE prides itself in producing a premium quality product that is NOTHING BUT HEAVY DUTY®. Your satisfaction with our products is very important to us! If you encounter any problems with the operation of this tool, or you would like to locate the factory Service/Sales Support Branch or authorized service station nearest you, please call...

Additionally, we have a nationwide network of authorized Distributors ready to assist you with your tool and accessory needs. Check your "Yellow Pages" phone directory under "Tools-Electric" for the names & addresses of those nearest you or see the 'Where To Buy' section of our website.

1-800-SAWDUST

(1.800.729.3878)

Monday-Friday
7:00 AM - 6:30 PM
Central Time

or visit our website at

www.milwaukeetool.com

For service information, use the 'Service Center Search' icon found in the 'Parts & Service' section.

Contact our Corporate After Sales Service Technical Support about ...

- Technical Questions
- Service/Repair Questions
- Warranty

call: 1-800-SAWDUST

fax: 1.800.638.9582

email: metproductsupport@milwaukeetool.com

Register your tool online at www.milwaukeetool.com and...

- receive important notifications regarding your purchase
- ensure that your tool is protected under the warranty
- become a HEAVY DUTY club member

CANADA - Service MILWAUKEE

MILWAUKEE prides itself in producing a premium quality product that is NOTHING BUT HEAVY DUTY®. Your satisfaction with our products is very important to us!

If you encounter any problems with the operation of this tool, or you would like to locate the factory Service/Sales Support Branch or authorized service station nearest you, please call...

1.800.268.4015

Monday – Friday 7:00 – 4:30 CST
fax: 866.285.9049

Milwaukee Electric Tool (Canada) Ltd

140 Fernstaff Court, Unit 4 18129 111 Avenue NW
Vaughan, ON L4K 3L8 Edmonton, AB T5S 2P2

Additionally, we have a nationwide network of authorized Distributors ready to assist you with your tool and accessory needs. Call 1.800.268.4015 to find the names and addresses of the closest retailers or consult "Where to buy" on our Web site www.milwaukeetool.com

MILWAUKEE est fier de proposer un produit de première qualité NOTHING BUT HEAVY DUTY®. Votre satisfaction est ce qui compte le plus!

En cas de problèmes d'utilisation de l'outil ou pour localiser le centre de service/ventes ou le centre d'entretien le plus proche, appelez le...

1.800.268.4015

Lundi – Vendredi 7:00 – 4:30 CST
fax: 866.285.9049

Milwaukee Electric Tool (Canada) Ltd

140 Fernstaff Court, Unit 4 18129 111 Avenue NW
Vaughan, ON L4K 3L8 Edmonton, AB T5S 2P2

Notre réseau national de distributeurs agréés se tient à votre disposition pour fournir l'aide technique, l'outillage et les accessoires nécessaires. Composez le 1.800.268.4015 pour obtenir les noms et adresses des revendeurs les plus proches ou bien consultez la section «Où acheter» sur notre site web à l'adresse www.milwaukeetool.com

MEXICO - Soporte de Servicio MILWAUKEE

CENTRO DE ATENCIÓN A CLIENTES

Rafael Buelna No. 1, Col Tezozomoc,
Delegación Azcapotzalco, México, D.F.
Telefono sin costo 01 800 832 1949
e-mail: servicio@ttigroupna.com

Adicionalmente, tenemos una red nacional de distribuidores autorizados listos para ayudarle con su herramienta y sus accesorios. Por favor, llame al 01 800 832 1949 para obtener los nombres y direcciones de los más cercanos a usted, o consulte la sección 'Where to buy' (Dónde comprar) de nuestro sitio web en

www.ttigroupmexico.com

Registre su herramienta en línea, en www.ttigroupmexico.com y...

- reciba importantes avisos sobre su compra
- asegúrese de que su herramienta esté protegida por la garantía
- conviértase en integrante de Heavy Duty

MILWAUKEE ELECTRIC TOOL CORPORATION

13135 West Lisbon Road • Brookfield, Wisconsin, U.S.A. 53005