

EL - 405 STACKER LIFT

SUMNER

Sumner Manufacturing Co, Inc.

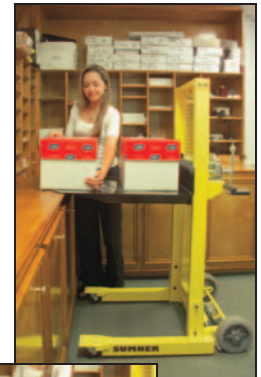
Perfect For Common Lifting & Loading Tasks



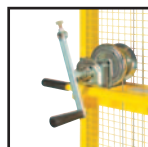
- EL-405 Features:**
- Lifts up to 400 lb (180 kg)
 - 4' 5" (135 cm) lifting height
 - Two-speed winch handle
 - Quick-action wheel brake
 - Large 24 x 28" (61 x 71 cm) lifting tray



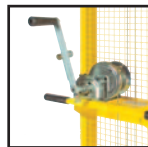
Ideal for lifting large boxes, generators, pumps, tooling, etc.



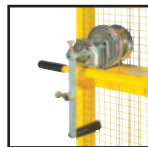
Shelf overlap feature for ease of loading



High Speed



Low Speed



Storage

Enclosed frame for safety

No cable in operator's face

Winch handle has two drive positions

Convenient steering handles

Quick action wheel brake



MADE IN USA



EL - 405 STACKER LIFT



Quick-action retention strap holds load on lift tray. Strap features retractor to house loose strap, has a seat belt style push button release and a ratchet tightening mechanism.



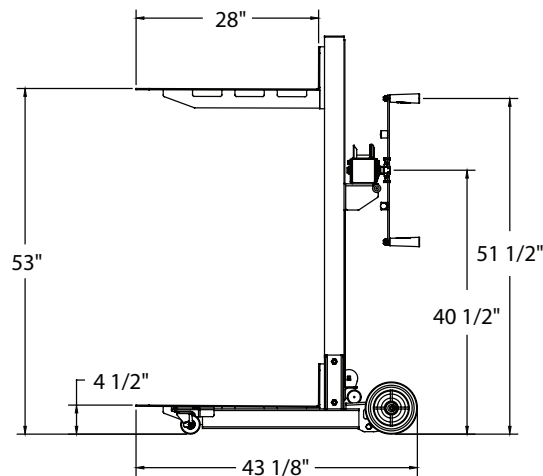
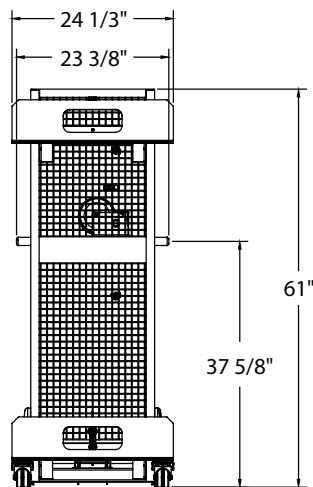
Ideal, adjustable work platform for repair shops.



Great for loading customer vehicles.

EL 405 Extension Strap Kit (Part No. 784685)

An additional seat belt type strap may be attached to the bottom of the tray to provide securing of bulky cargo. With the combination of the ratchet strap and extension strap, a total 8.5' (2.5 m) is available for cargo hold down.



Part No.	Description	Max Height		Lifting Capacity		Lift Weight		Shipping Weight	
		Feet	Meter	lb	kg	lb	kg	lb	kg
784650	EL-405 Stacker Lift	4' 5"	1.35	400	180	170	78	235	106.6

DISTRIBUTED BY:

SUMNER

Sumner Manufacturing Co, Inc.

www.sumner.com

Sumner - U.S. 7514 Alabonson Road • Houston, TX 77088 • Ph: 281-999-6900 • Fax: 281-999-6966

Sumner - Canada 75 Saltsman Drive, Unit 5 • Cambridge, Ontario N3H 4R7 • Ph: 519-653-5300 • Fax: 519-653-5305

Sumner - Netherlands Midden Engweg 21 • NL-3882TS Putten • The Netherlands • Ph: +31 (0) 85 489 0284 • europeansales@sumner.com

Sumner - U.K. Unit 3 Kempton Road • Keytec 7 Business Park • Pershore, Worcestershire WR10 2TA • Ph: (44) 01386 556278 • Fax: (44) 01386 556776