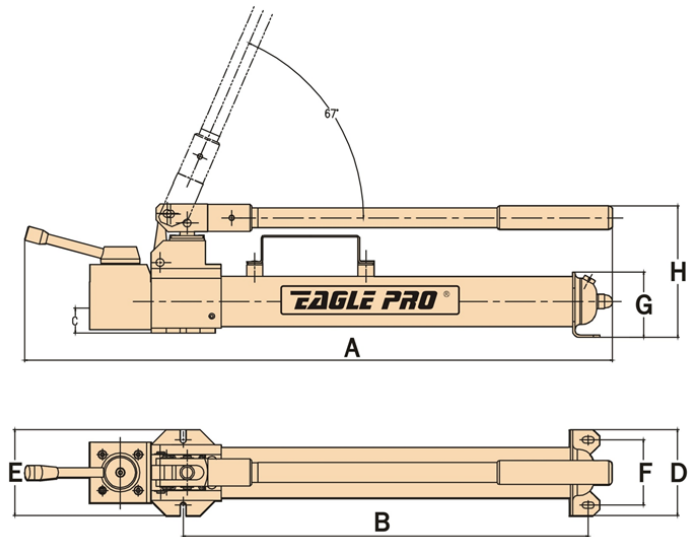
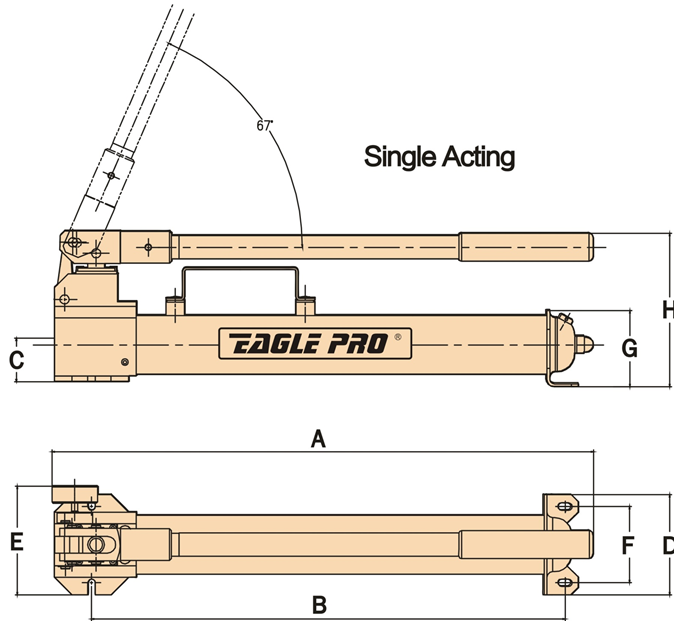
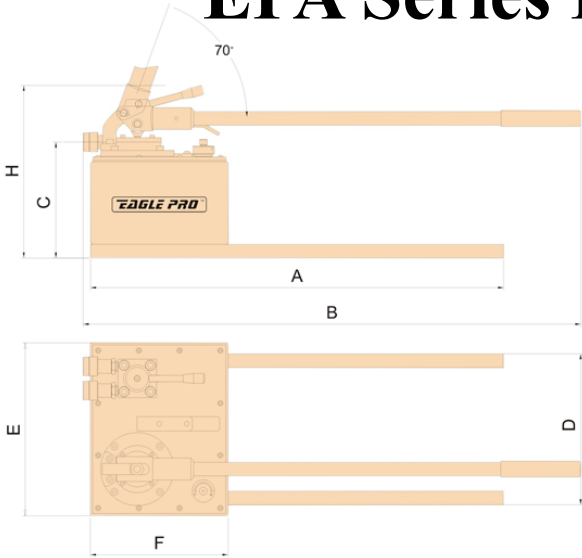


# EPA Series Hydraulic Hand Pumps

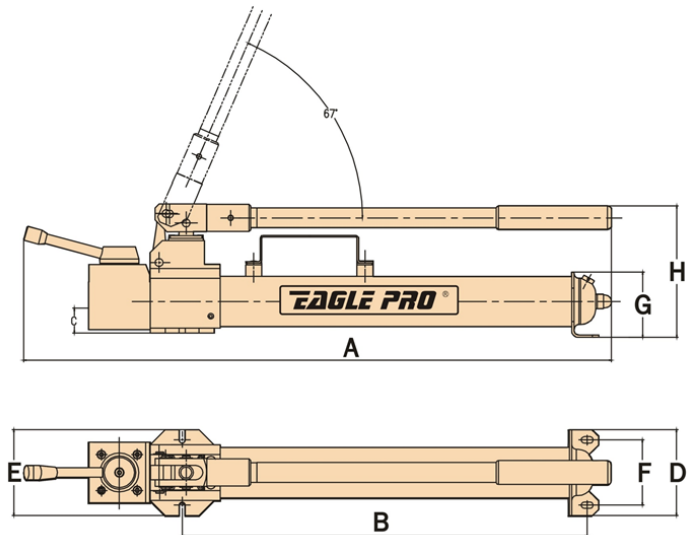
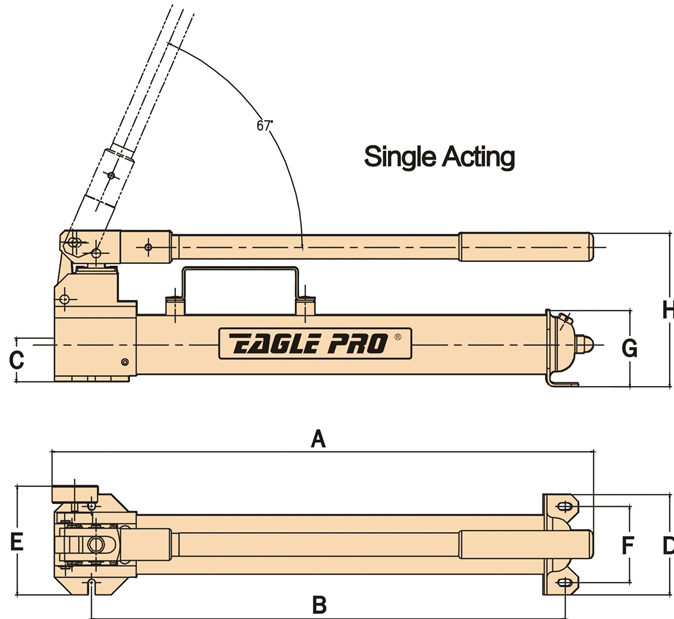
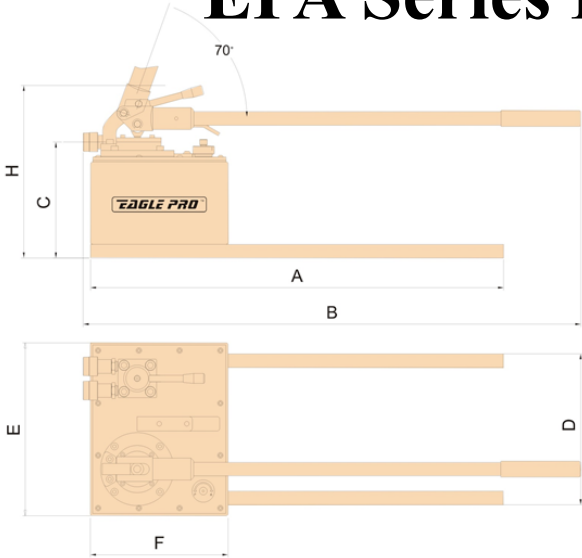


Imperial Measurements

Double Acting

MODEL	CYLINDER TYPE	SPEED	USABLE OIL VOLUME		PRESSURE RATING		OIL DISPLACEMENT		HANDLE FORCE	PORT THREAD	A	B	C	D	E	F	G	H	WEIGHT	
			1ST STAGE	2ND STAGE	1ST STAGE	2ND STAGE	IN3	IN3												LBS
			IN3	PSI	PSI	IN3	IN3													
EPA-10521 *	SINGLE ACTING	TWO	20	200	10,000	0.48	0.05	77	3/8 - 18NPT	14.74	11.40	-	3.14	4.30	2.63	-	5.60	4.80		
EPA-10921A			55	360	10,000	2.04	0.20	108		22.89	19.87	1.85	4.24	5.10	3.22	3.22	6.50	16.06		
EPA-12321A			140	360	10,000	0.04	0.20	108		29.04	19.96	1.85	4.91	5.40	-	3.22	6.34	22.22		
EPA-14521			275	260	10,000	1.59	0.18	112		22.80	23.90	6.40	10.80	12.40	9.80	-	10.50	49.50		
EPA-17521			458	260	10,000	7.6	0.35	112		31.50	35.60	8.30	10.80	12.40	9.80	-	12.40	66.00		
EPA-10922A	DOUBLE ACTING		55	360	10,000	2.04	0.20	108		22.89	19.87	1.14	4.24	4.20	3.22	3.22	6.50	19.36		
EPA-12322A			140	360	10,000	2.04	0.20	108		29.04	19.96	1.14	4.91	4.20	-	3.22	6.34	25.52		
EPA-14522			275	260	10,000	1.59	0.18	112		22.80	23.90	6.40	10.80	12.40	9.80	-	10.50	49.50		
EPA-17522			458	260	10,000	7.6	0.35	112		31.50	35.60	8.30	10.80	12.40	9.80	-	12.40	66.00		
EPA-21621			BOLT TENSIONER	98	290	20,000	1.95	0.05		44	1/4BSP					**				20.9

# EPA Series Hydraulic Hand Pumps



Metric Measurements

Double Acting

MODEL	CYLINDER TYPE	SPEED	USABLE OIL VOLUME		PRESSURE RATING				OIL DISPLACEMENT		HANDLE FORCE	PORT THREAD	A	B	C	D	E	F	G	H	WEIGHT	
			CM3	BAR	1ST STAGE	2ND STAGE	1ST STAGE	2ND STAGE	CM3	CM3												KG
					BAR	BAR	CM3	CM3														
EPA-10521 *	SINGLE ACTING	TWO	330	14	700	7.8	0.8	35	3/8-18NPT	375	290	/	80	110	67	/	143	2.2				
EPA-10921A			750	25	700	33.0	3.3	49		582.5	505.5	47	108	130	82	82	165	7.3				
EPA-12321A			2300	25	700	33.0	3.3	49		739	508	47	125	138	/	82	161	10.1				
EPA-14521			4500	25	700	26.0	2.9	51		580	608	163	275	315	250	-	267	22.5				
EPA-17521			7500	25	700	125.0	5.8	51		800	904	211	275	315	250	-	315	30				
EPA-10922A			750	25	700	33.0	3.3	49		582.5	505.5	29	108	108	82	82	165	8.8				
EPA-12322A	2300		25	700	33.0	3.3	49	739		508	29	125	108	/	82	161	11.6					
EPA-14522	DOUBLE ACTING		4500	25	700	26.0	2.9	51		580	608	163	275	315	250	-	267	22.5				
EPA-17522			7500	25	700	125.0	5.8	51		800	904	211	275	315	250	-	315	30				
EPA-21621			BOLT TENSIONER	1600	18	1,500	32.0	0.8		20	1/4BSP	**										9.5