

IMPORTANT:
Read Before Using

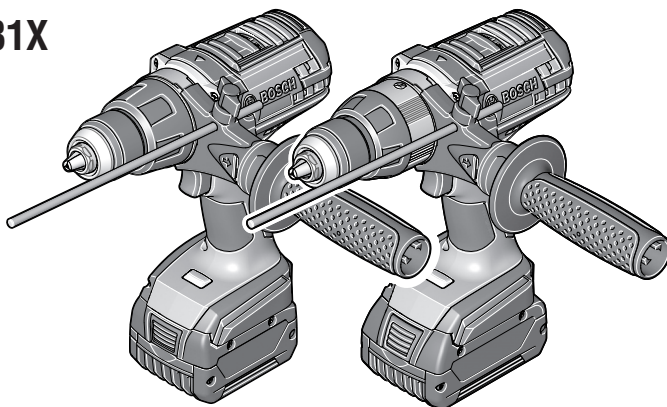
IMPORTANT :
Lire avant usage

IMPORTANTE:
Leer antes de usar



Operating/Safety Instructions
Consignes de fonctionnement/sécurité
Instrucciones de funcionamiento y seguridad

HDH181X
DDH181X



BOSCH

**Call Toll Free for
Consumer Information
& Service Locations**

**Pour obtenir des informations
et les adresses de nos centres
de service après-vente,
appelez ce numéro gratuit**

**Llame gratis para
obtener información
para el consumidor y
ubicaciones de servicio**

1-877-BOSCH99 (1-877-267-2499) www.boschtools.com

**For English Version
See page 2**

**Version française
Voir page 15**

**Versión en español
Ver la página 28**

General Power Tool Safety Warnings



WARNING

Read all safety warnings and all instructions. Failure to follow the warnings and instructions may result in electric shock, fire and/or serious injury.

SAVE ALL WARNINGS AND INSTRUCTIONS FOR FUTURE REFERENCE

The term “power tool” in the warnings refers to your mains-operated (corded) power tool or battery-operated (cordless) power tool.

Work area safety

Keep work area clean and well lit. Cluttered or dark areas invite accidents.

Do not operate power tools in explosive atmospheres, such as in the presence of flammable liquids, gases or dust. Power tools create sparks which may ignite the dust or fumes.

Keep children and bystanders away while operating a power tool. Distractions can cause you to lose control.

Electrical safety

Power tool plugs must match the outlet. Never modify the plug in any way. Do not use any adapter plugs with earthed (grounded) power tools. Unmodified plugs and matching outlets will reduce risk of electric shock.

Avoid body contact with earthed or grounded surfaces such as pipes, radiators, ranges and refrigerators. There is an increased risk of electric shock if your body is earthed or grounded.

Do not expose power tools to rain or wet conditions. Water entering a power tool will increase the risk of electric shock.

Do not abuse the cord. Never use the cord for carrying, pulling or unplugging the power tool. Keep cord away from heat, oil, sharp edges or moving parts. Damaged or entangled cords increase the risk of electric shock.

When operating a power tool outdoors, use an extension cord suitable for outdoor use. Use of a cord suitable for outdoor use reduces the risk of electric shock.

If operating the power tool in damp locations is unavoidable, use a Ground Fault Circuit Interrupter (GFCI) protected supply. Use of an GFCI reduces the risk of electric shock.

Personal safety

Stay alert, watch what you are doing and use common sense when operating a

power tool. Do not use a power tool while you are tired or under the influence of drugs, alcohol or medication. A moment of inattention while operating power tools may result in serious personal injury.

Use personal protective equipment. Always wear eye protection. Protective equipment such as dust mask, non-skid safety shoes, hard hat, or hearing protection used for appropriate conditions will reduce personal injuries.

Prevent unintentional starting. Ensure the switch is in the off-position before connecting to power source and / or battery pack, picking up or carrying the tool. Carrying power tools with your finger on the switch or energizing power tools that have the switch on invites accidents.

Remove any adjusting key or wrench before turning the power tool on. A wrench or a key left attached to a rotating part of the power tool may result in personal injury.

Do not overreach. Keep proper footing and balance at all times. This enables better control of the power tool in unexpected situations.

Dress properly. Do not wear loose clothing or jewelry. Keep your hair, clothing and gloves away from moving parts. Loose clothes, jewelry or long hair can be caught in moving parts.

If devices are provided for the connection of dust extraction and collection facilities, ensure these are connected and properly used. Use of dust collection can reduce dust-related hazards.

Power tool use and care

Do not force the power tool. Use the correct power tool for your application. The correct power tool will do the job better and safer at the rate for which it was designed.

Do not use the power tool if the switch does not turn it on and off. Any power tool that cannot be controlled with the switch is dangerous and must be repaired.

Disconnect the plug from the power source and/or the battery pack from the power tool before making any adjustments, changing accessories, or storing power tools. Such preventive safety measures reduce the risk of starting the power tool accidentally.

Store idle power tools out of the reach of children and do not allow persons unfamiliar with the power tool or these instructions to operate the power tool. Power tools are dangerous in the hands of untrained users.

Maintain power tools. Check for misalignment or binding of moving parts, breakage of parts and any other condition that may affect the power tool's operation. If damaged, have the power tool repaired before use. Many accidents are caused by poorly maintained power tools.

Keep cutting tools sharp and clean. Properly maintained cutting tools with sharp cutting edges are less likely to bind and are easier to control.

Use the power tool, accessories and tool bits etc. in accordance with these instructions, taking into account the working conditions and the work to be performed. Use of the power tool for operations different from those intended could result in a hazardous situation.

Battery tool use and care

Recharge only with the charger specified by the manufacturer. A charger that is suitable for one type of battery pack may create a risk of fire when used with another battery pack.

Use power tools only with specifically designated battery packs. Use of any other battery packs may create a risk of injury and fire.

When battery pack is not in use, keep it away from other metal objects like paper clips, coins, keys, nails, screws, or other small metal objects that can make a connection from one terminal to another. Shorting the battery terminals together may cause burns or a fire.

Under abusive conditions, liquid may be ejected from the battery, avoid contact. If contact accidentally occurs, flush with water. If liquid contacts eyes, additionally seek medical help. Liquid ejected from the battery may cause irritation or burns.

Service

Have your power tool serviced by a qualified repair person using only identical replacement parts. This will ensure that the safety of the power tool is maintained.

Safety Rules for Cordless Drill/Drivers

Use auxiliary handle(s), if supplied with the tool. Loss of control can cause personal injury.

Hold power tool by insulated gripping surfaces, when performing an operation where the cutting accessory may contact hidden wiring. Cutting accessory contacting a "live" wire may make exposed metal parts of the power tool "live" and could give the operator an electric shock.

Use clamps or another practical way to secure and support the workpiece to a stable platform. Holding the work by hand or against your body leaves it unstable and may lead to loss of control.

Do not drill, fasten or break into existing walls or other blind areas where electrical wiring may exist. If this situation is unavoidable, disconnect all fuses or circuit breakers feeding this worksite.

Always hold the tool with both hands. If the bit jams two hands will give you

maximum control over torque reaction or kickback.

Always wear safety goggles or eye protection when using this tool. Use a dust mask or respirator for applications which generate dust.

Secure the material being drilled. Never hold it in your hand or across legs. Unstable support can cause the drill bit to bind causing loss of control and injury.

Disconnect battery pack from tool or place the switch in the locked or off position before making any assembly, adjustments or changing accessories. Such preventive safety measures reduce the risk of starting the tool accidentally.

Position yourself to avoid being caught between the tool or side handle and walls or posts. Should the bit become bound or jammed in the work, the reaction torque of the tool could crush your hand or leg.

If the bit becomes bound in the workpiece, release the trigger immediately, reverse the direction of rotation and slowly squeeze the trigger to back out the bit. Be ready for a strong reaction torque. The drill body will tend to twist in the opposite direction as the drill bit is rotating.

Do not grasp the tool or place your hands too close to the spinning chuck or drill bit. Your hand may be lacerated.

When installing a bit, insert the shank of the bit well within the chuck. If the bit is not inserted deep enough, the grip of the chuck over the bit is reduced and the loss of control is increased. After bit insertion, pull on bit to ensure it is locked.

Do not use dull or damaged bits and accessories. Dull or damaged bits have a greater tendency to bind in the workpiece.

When removing the bit from the tool avoid contact with skin and use proper protective gloves when grasping the bit or accessory. Accessories may be hot after prolonged use.

Check to see that keys and adjusting wrenches are removed from the drill before switching the tool "ON". Keys or wrenches can fly away at high velocity striking you or a bystander.

Do not run the drill while carrying it at your side. A spinning drill bit could become entangled with clothing and injury may result.

Safety Rules for Cordless Hammer Drills

Wear ear protectors when impact drilling. Exposure to noise can cause hearing loss.

Use auxiliary handle(s), if supplied with the tool. Loss of control can cause personal injury.

Hold power tool by insulated gripping surfaces, when performing an operation where the cutting accessory may contact hidden wiring. Cutting accessory contacting a "live" wire may make exposed metal parts of the power tool "live" and could give the operator an electric shock.

Use clamps or another practical way to secure and support the workpiece to a stable platform. Holding the work by hand or against your body leaves it unstable and may lead to loss of control.

Do not drill, fasten or break into existing walls or other blind areas where electrical wiring may exist. If this situation is unavoidable, disconnect all fuses or circuit breakers feeding this worksite.

Always wear safety goggles or eye protection when using this tool. Use a dust mask or respirator for applications which generate dust.

Use thick cushioned gloves and limit the exposure time by taking frequent rest periods. Vibration caused by hammer-drill action may be harmful to your hands and arms.

Secure the material being drilled. Never hold it in your hand or across legs.

Unstable support can cause the drill bit to bind causing loss of control and injury.

Disconnect battery pack from tool before making any assembly, adjustments or changing accessories. Such preventive safety measures reduce the risk of starting the tool accidentally.

Position yourself to avoid being caught between the tool or side handle and walls or posts. Should the bit become bound or jammed in the work, the reaction torque of the tool could crush your hand or leg.

If the bit becomes bound in the workpiece, release the trigger immediately, reverse the direction of rotation and slowly squeeze the trigger to back out the bit. Be ready for a strong reaction torque. The drill body will tend to twist in the opposite direction as the drill bit is rotating.

Do not grasp the tool or place your hands too close to the spinning chuck or drill bit. Your hand may be lacerated.

When installing a drill bit, insert the shank of the bit well within the jaws of the chuck. If the bit is not inserted deep enough, the grip of the jaws over the bit is reduced and the loss of control is increased.

Do not use dull or damaged bits and accessories. Dull or damaged bits have a greater tendency to bind in the workpiece.

When removing the bit from the tool avoid contact with skin and use proper protective

gloves when grasping the bit or accessory. Accessories may be hot after prolonged use.

Check to see that keys and adjusting wrenches are removed from the drill before switching the tool "ON". Keys or wrenches

can fly away at high velocity striking you or a bystander.

Do not run the tool while carrying it at your side. A spinning drill bit could become entangled with clothing and injury may result.

Additional Safety Warnings

GFCI and personal protection devices like electrician's rubber gloves and footwear will further enhance your personal safety.

Do not use AC only rated tools with a DC power supply. While the tool may appear to work, the electrical components of the AC rated tool are likely to fail and create a hazard to the operator.

Keep handles dry, clean and free from oil and grease. Slippery hands cannot safely control the power tool.

Develop a periodic maintenance schedule for your tool. When cleaning a tool be careful not to disassemble any portion of the tool since internal wires may be misplaced or pinched or safety guard return springs may be improperly mounted. Certain cleaning agents such as gasoline, carbon tetrachloride, ammonia, etc. may damage plastic parts.

Ensure the switch is in the off position before inserting battery pack. Inserting the

battery pack into power tools that have the switch on invites accidents.




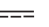








⚠ WARNING Some dust created by power sanding, sawing, grinding, drilling, and other construction activities contains chemicals known to cause cancer, birth defects or other reproductive harm. Some examples of these chemicals are:

- Lead from lead-based paints,
- Crystalline silica from bricks and cement and other masonry products, and
- Arsenic and chromium from chemically-treated lumber.

Your risk from these exposures varies, depending on how often you do this type of work. To reduce your exposure to these chemicals: work in a well ventilated area, and work with approved safety equipment, such as those dust masks that are specially designed to filter out microscopic particles.

Symbols

IMPORTANT: Some of the following symbols may be used on your tool. Please study them and learn their meaning. Proper interpretation of these symbols will allow you to operate the tool better and safer.

Symbol	Name	Designation/Explanation
V	Volts	Voltage (potential)
A	Amperes	Current
Hz	Hertz	Frequency (cycles per second)
W	Watt	Power
kg	Kilograms	Weight
min	Minutes	Time
s	Seconds	Time
∅	Diameter	Size of drill bits, grinding wheels, etc.
n_0	No load speed	Rotational speed, at no load
n	Rated speed	Maximum attainable speed
.../min	Revolutions or reciprocation per minute	Revolutions, strokes, surface speed, orbits etc. per minute
0	Off position	Zero speed, zero torque...
1, 2, 3, ... I, II, III,	Selector settings	Speed, torque or position settings. Higher number means greater speed
	Infinitely variable selector with off	Speed is increasing from 0 setting
	Arrow	Action in the direction of arrow
	Alternating current	Type or a characteristic of current
	Direct current	Type or a characteristic of current
	Alternating or direct current	Type or a characteristic of current
	Class II construction	Designates Double Insulated Construction tools.
	Earthing terminal	Grounding terminal
	Warning symbol	Alerts user to warning messages
	Li-ion RBRC seal	Designates Li-ion battery recycling program
	Ni-Cad RBRC seal	Designates Ni-Cad battery recycling program
	Read manual symbol	Alerts user to read manual
	Wear eye protection symbol	Alerts user to wear eye protection

Symbols (continued)

IMPORTANT: Some of the following symbols may be used on your tool. Please study them and learn their meaning. Proper interpretation of these symbols will allow you to operate the tool better and safer.



This symbol designates that this tool is listed by Underwriters Laboratories.



This symbol designates that this component is recognized by Underwriters Laboratories.



This symbol designates that this tool is listed by Underwriters Laboratories, to United States and Canadian Standards.



This symbol designates that this tool is listed by the Canadian Standards Association.



This symbol designates that this tool is listed by the Canadian Standards Association, to United States and Canadian Standards.



This symbol designates that this tool is listed by the Intertek Testing Services, to United States and Canadian Standards.



This symbol designates that this tool complies to NOM Mexican Standards.

Functional Description and Specifications

WARNING Disconnect battery pack from tool before making any assembly, adjustments or changing accessories. Such preventive safety measures reduce the risk of starting the tool accidentally.

Cordless Drill/Drivers and Cordless Hammer Drills

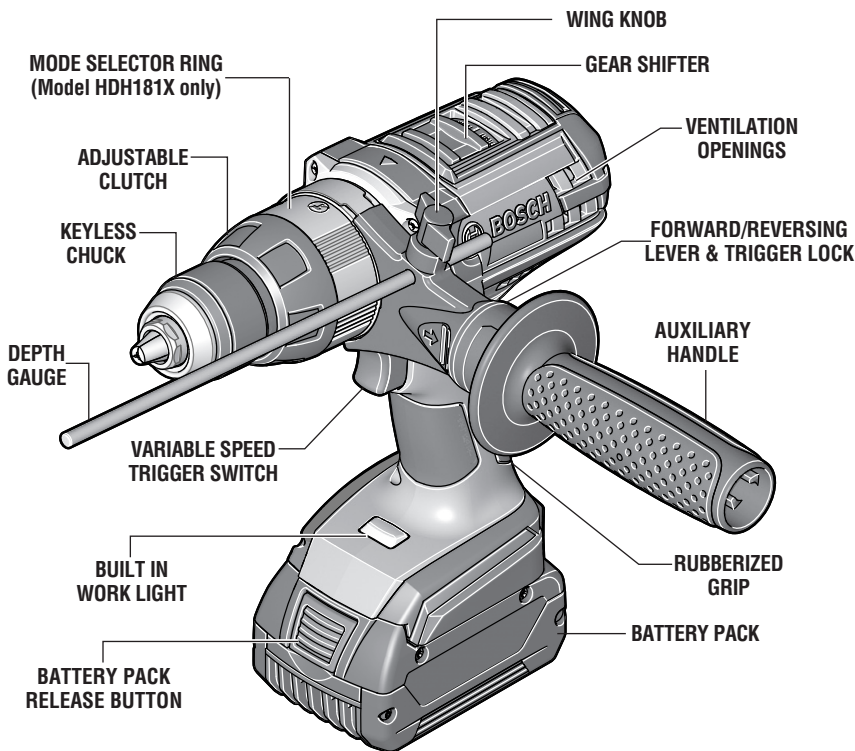


FIG. 1

Model number	DDH181X	HDH181X
Voltage rating	18 V \equiv	18 V \equiv
No load speed 1	n_0 0-400/min	n_0 0-440/min
No load speed 2	n_0 0-1700/min	n_0 0-1850/min
Impact rate	NA	0-27750 BPM
Maximum Capacities		
Chuck size	1/2"	1/2"
Screw sizes	#14 x 3"	#16 x 3"
Mild metal	1/2"	1/2"
Hard wood	1-1/2"	1-3/8"
Soft wood	2"	1-7/8"
Masonry	NA	5/8"

Battery Packs/Chargers

Please refer to the Charger Manual included with your tool.

NOTE: For tool specifications refer to the nameplate on your tool.

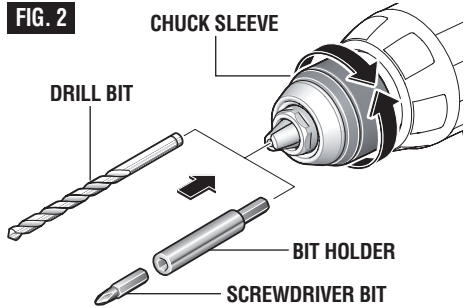
Assembly

⚠ WARNING Disconnect battery pack from tool before making any assembly, adjustments or changing accessories. Such preventive safety measures reduce the risk of starting the tool accidentally.

INSERTING BITS

Move reverse switch lever to the center "OFF" position. Remove battery pack and rotate the clutch ring to the drill bit symbol "▬▬▬". Rotate the chuck sleeve counter-clockwise viewing from chuck end, and open chuck to approximate drill bit diameter. Insert a clean bit up to the drill bit flutes for small bits, or as far as it will go for large bits. Close chuck by rotating the chuck sleeve clockwise and securely tighten by hand (Fig. 2).

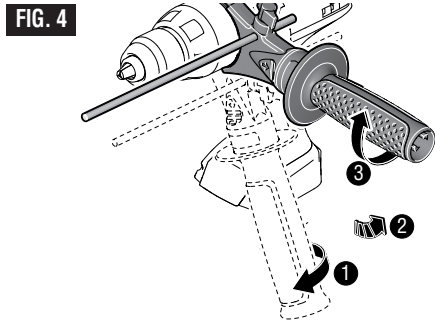
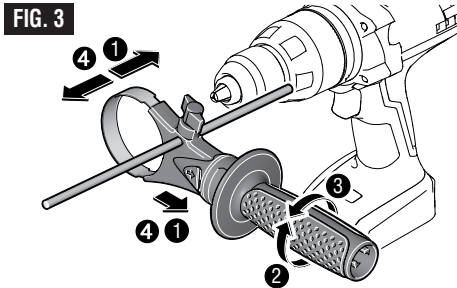
⚠ WARNING Do not use the power of the drill while grasping chuck to loosen or tighten bit. Friction burn or hand injury is possible if attempting to grasp the spinning chuck.



AUXILIARY HANDLE

The tool must be supported with the auxiliary handle, which can be swiveled 320°. To reposition and/or swivel the handle, loosen the

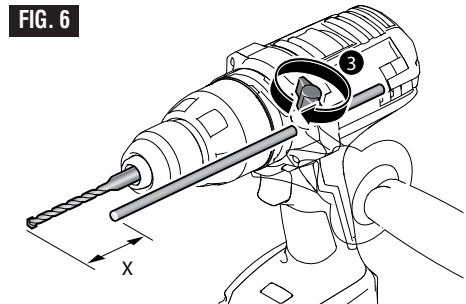
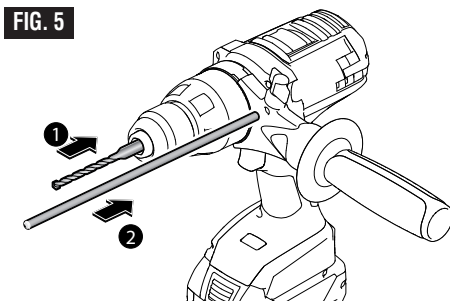
hand grip, move the handle to the desired position along the barrel and securely retighten the hand grip (Fig. 3 & 4).



DEPTH GAUGE

Your drilling depth can be pre-set and/or repeated by using the depth gauge.

Setting depth: After the auxiliary handle is installed, slide the depth gauge to desired depth and securely tighten wing knob (Fig. 5 & 6).



Operating Instructions

VARIABLE SPEED CONTROLLED TRIGGER SWITCH

Your tool is equipped with a variable speed trigger switch. The tool can be turned "ON" or "OFF" by squeezing or releasing the trigger. The speed can be adjusted from the minimum to maximum nameplate RPM by the pressure you apply to the trigger. Apply more pressure to increase the speed and release pressure to decrease speed (Fig. 1).

FORWARD/REVERSING LEVER & TRIGGER LOCK

WARNING After tool use, lock trigger in "OFF" position to help prevent accidental starts and accidental discharge.

Your tool is equipped with a forward/reversing lever and trigger lock located above the trigger (Fig. 7). This lever was designed for changing rotation of the bit, and for locking the trigger in an "OFF" position.

For forward rotation, (with chuck pointed away from you) move the lever to the far left (Fig. 7).

For reverse rotation move the lever to the far right (Fig. 8). To activate trigger lock move lever to the center off position.

CAUTION Do not change direction of rotation until the tool comes to a complete stop. Shifting during rotation of the chuck can cause damage to the tool.

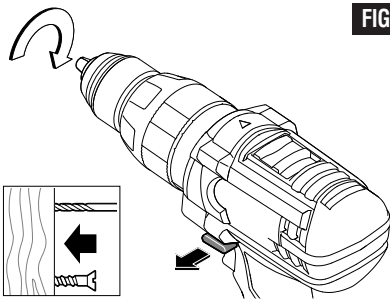


FIG. 7

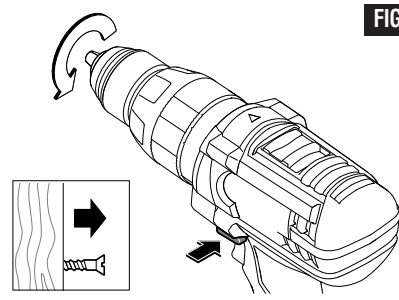


FIG. 8

ACTIVE RESPONSE TECHNOLOGY™

Active Response Technology™ is a feature that detects rapid twisting of the drill handle and quickly cuts power to the motor in order to limit the movement of the handle. You are most likely to encounter this condition when the drilling bit binds in the material or a fastener binds or bottoms-out to a hard stop in the material.

In the event a binding condition occurs, an internal sensor will detect the rapid handle rotation and quickly cut-off power to the motor, even while the variable speed trigger switch is still depressed. The work light on the foot of the tool will then flash to indicate the system has been engaged. The light will continue to flash until the tool's trigger switch is released. Note that the feature can only function if the drill handle has freedom to rotate. If you are working in a confined space, the handle may not have the ability to rotate such that the feature can activate.

To free a bound bit, release the trigger and reposition the handle to a comfortable working

position. Change your forward/reversing lever to reverse. Hold on tightly, with a stable body position to the drill's main and auxiliary handles. Slowly pull the trigger to release the bit from the work piece. Once the bit is freed, you can reestablish the drilling/driving operation and continue work.

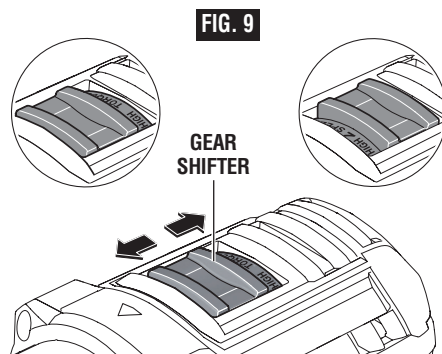
WARNING The Active Response Technology™ feature is not intended to replace any safety feature or any warnings or operating instructions in this manual. To reduce the risk of injury when using the tool, follow all operating and safety practices listed in this manual.

WARNING If the Active Response Technology™ feature engages and you fail to reposition the handle and unbind the bit, the handle will continue to rotate when you reengage the trigger and you may lose control. To reduce the risk of injury when using the tool, follow the operating instructions for releasing a bound bit and returning to normal operation.

GEAR SHIFTING

Your tool is equipped with two separate gear ranges, low gear and high gear. Low gear provides high-torque and slower drilling speeds for heavy duty work or for driving screws. High gear provides faster speeds for drilling lighter work. To change speeds slide switch, to high speed or high torque position. (Fig. 9).

ATTENTION: If your tool appears to be running, but the chuck will not turn, check to make sure the gear shifting switch is pushed fully into desired setting.



ADJUSTABLE CLUTCH


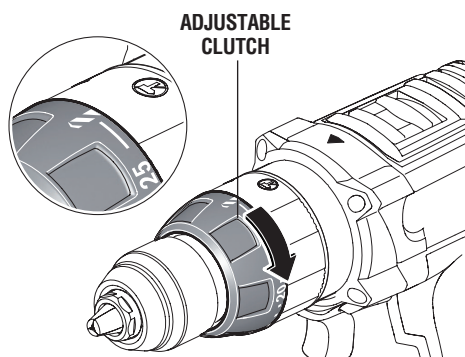
Your tool features 25 clutch settings. Output torque will increase as the clutch ring, is rotated from 1 to 25. The drill “” position will lock up the clutch to permit drilling and driving heavyduty work, and also enables bits to be changed quickly and easily in the keyless chuck (Fig. 10).

FIG. 10



ADJUSTABLE CLUTCH

BRAKE

When the trigger switch is released it activates the brake to stop the chuck quickly. This is especially useful in the repetitive driving and removal of screws.

BUILT IN WORK LIGHT

Your tool is also equipped with a light that turns on automatically when the switch is activated, for better visibility when drilling/driving (Fig. 1).

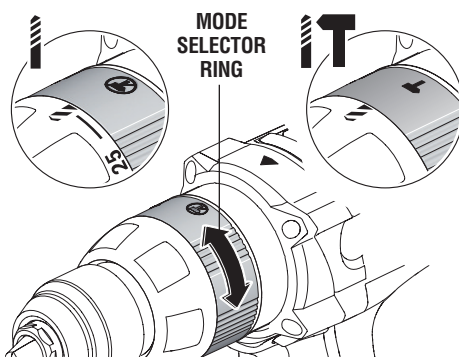
DRILL/HAMMER DRILL SELECTOR RING (Model HDH181X only)

The selector ring allows the tool to be set for various drilling/hammer drilling applications. Rotate the selector dial right or left depending on the below applications (Fig. 11).

Drill only action: For drilling in woods, metals, plastics or other non concrete materials.

Drill with hammer action: For drilling in concrete, asphalt, tile or other similar hard materials. The hammer drill position overrides the clutch for hammer drilling.

FIG. 11



MODE SELECTOR RING

INSERTING AND RELEASING BATTERY PACK

Set Forward/Reversing lever to the center (off position). Slide charged battery pack into the housing until the battery pack locks into position (Fig. 12).

Your tool is equipped with a secondary locking latch to prevent the battery pack from completely falling out of the handle, should it become loose due to vibration.

To remove the battery pack, press the battery pack release button and slide the battery pack forward (Fig. 13).

Press the battery pack release button again and slide the battery pack completely out of tool housing (Fig. 13).

FIG. 12

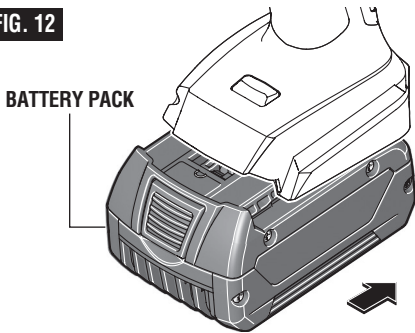
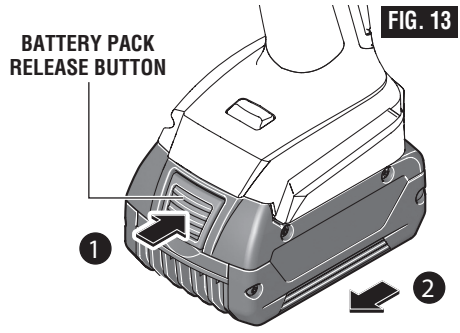


FIG. 13



Operating Tips

You will extend the life of your bits and do neater work if you always put the bit in contact with the work before pulling the trigger. During the operation, hold the tool firmly and exert light, steady pressure. Too much pressure at low speed will stall the tool. Too little pressure will keep the bit from cutting and cause excess friction by sliding over the surface. This can be damaging to both tool and bit.

DRILLING WITH VARIABLE SPEED

The trigger controlled variable speed feature will eliminate the need for center punches in hard materials. The variable speed trigger allows you to slowly increase RPM. By using a slow starting speed, you are able to keep the bit from “wandering”. You can increase the speed as the bit “bites” into the work by squeezing the trigger.

DRIVING WITH VARIABLE SPEED

Variable speed drills will double as a power screwdriver by using a screwdriver bit in the drill mode. The technique is to start slowly, increasing the speed as the screw runs down. Set the screw snugly by slowing to a stop. Prior to driving screws, pilot and clearance holes should be drilled.

FASTENING WITH SCREWS

This procedure shown in (Fig. 14) will enable you to fasten materials together with your Cordless Drill/Screwdriver without stripping, splitting or separating the material.

First, clamp the pieces together and drill the first hole 2/3 the diameter of the screw. If the material is soft, drill only 2/3 the proper length. If it is hard, drill the entire length.

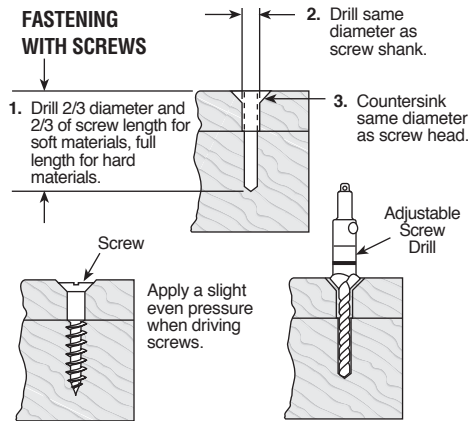


FIG. 14

Second, unclamp the pieces and drill the second hole the same diameter as the screw shank in the first or top piece of wood.

Third, if flat head screw is used, countersink the hole to make the screw flush with the surface. Then, simply apply even pressure when driving the screw. The screw shank clearance hole in the first piece allows the screw head to pull the pieces tightly together.

The adjustable screw drill accessory will do all of these operations quickly and easily. Screw drills are available for screw sizes No. 6, 8, 10 and 12.

DRILL BITS

Always inspect drill bits for excessive wear. Use only bits that are sharp and in good condition.

TWIST BITS: Available with straight and reduced shanks for wood and light duty metal drilling. High speed bits cut faster and last longer on hard materials.

CARBIDE TIPPED BITS: Used for drilling stone, concrete, plaster, cement and other unusually hard nonmetals. Use continuous heavy feed pressure when employing carbide tip bits.

DRILLING WOOD

Be certain workpiece is clamped or anchored firmly. Always apply pressure in a straight line with the drill bit. Maintain enough pressure to keep the drill "biting".

When drilling holes in wood, twist bits can be used. Twist bits may overheat unless pulled out frequently to clear chips from flutes.

Use a "back-up" block of wood for work that is likely to splinter, such as thin materials.

You will drill a cleaner hole if you ease up on the pressure just before the bit breaks through the wood. Then complete the hole from the back side.

DRILLING METAL

There are two rules for drilling hard materials. First, the harder the material, the greater the pressure you need to apply to the tool. Second, the harder the material, the slower the speed. Here are a couple of tips for drilling in metal. Lubricate the tip of the bit occasionally with cutting oil except when drilling soft metals such as aluminum, copper or cast iron. If the hole to be drilled is fairly large, drill a smaller hole first, then enlarge to the required size, it's often faster in the long run. Maintain enough pressure to assure that the bit does not just

spin in the hole. This will dull the bit and greatly shorten its life.

DRILLING MASONRY

Soft materials such as brick are relatively easy to drill. Concrete however, will require much more pressure to keep the bit from spinning. Be sure to use carbide tip bits for all masonry work.



WARNING

Before using an accessory, be certain that its maximum safe operating speed is not exceeded by the nameplate speed of the tool. Do not exceed the recommended wheel diameter.

SANDING AND POLISHING

Fine sanding and polishing require "touch". Select the most efficient speed.

When using polishing bonnets, always be sure the excess string that secures the bonnet is tucked well within the bonnet during operation.

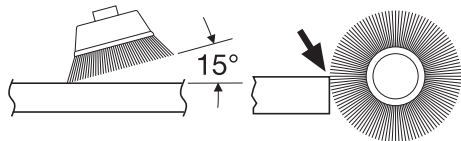
WIRE BRUSHES

Work with brushes requires high speeds.

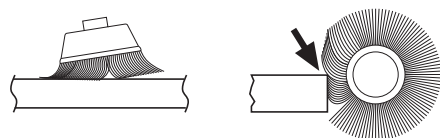
BRUSHING PRESSURE

1. Remember, the tips of a wire brush do the work. Operate the brush with the lightest pressure so only the tips of the wire come in contact with the work.
2. If heavier pressures are used, the wires will be overstressed, resulting in a wiping action; and if this is continued, the life of the brush will be shortened due to wire fatigue.
3. Apply the brush to the work in such a way that as much of the brush face as possible is in full contact with the work. Applying the side or edge of the brush to the work will result in wire breakage and shortened brush life.

CORRECT: Wire tips doing the work.



INCORRECT: Excessive pressure can cause wire breakage.



RUNNING NUTS AND BOLTS

Variable speed control must be used with caution for driving nuts and bolts with socket set attachments. The technique is to start slowly, increasing speed as the nut or bolt runs

down. Set the nut or bolt snugly by slowing the drill to a stop. If this procedure is not followed, the tool will have a tendency to torque or twist in your hands when the nut or bolt seats.

Maintenance

Service

⚠ WARNING **NO USER SERVICEABLE PARTS INSIDE. Preventive maintenance performed by unauthorized personnel may result in misplacing of internal wires and components which could cause serious hazard.** We recommend that all tool service be performed by a Bosch Factory Service Center or Authorized Bosch Service Station. **SERVICEMEN:** Disconnect tool and/or charger from power source before servicing.

BATTERIES

Be alert for battery packs that are nearing their end of life. If you notice decreased tool performance or significantly shorter running time between charges then it is time to replace the battery pack. Failure to do so can cause the tool to operate improperly or damage the charger.

TOOL LUBRICATION

Your Bosch tool has been properly lubricated and is ready for use.

MOTOR

The motor in your tool has been engineered for many hours of dependable service. To maintain peak efficiency of the motor, we recommend it be examined every six months. Only a genuine Bosch replacement motor specially designed for your tool should be used.

Cleaning

⚠ WARNING **To avoid accidents, always disconnect the tool and/or charger from the power supply before cleaning.** The tool may be cleaned most effectively with compressed dry air. **Always wear safety goggles when cleaning tools with compressed air.**

Ventilation openings and switch levers must be kept clean and free of foreign matter. Do not attempt to clean by inserting pointed objects through opening.

⚠ CAUTION **Certain cleaning agents and solvents damage plastic parts.** Some of these are: gasoline, carbon tetrachloride, chlorinated cleaning solvents, ammonia and household detergents that contain ammonia.

Accessories

(* = standard equipment)

(** = optional accessories)

* Screwdriver bit

* Carrying case

Avertissements généraux concernant la sécurité des outils électroportatifs



AVERTISSEMENT

Veillez lire tous les avertissements et toutes les consignes de sécurité. Si l'on n'observe pas ces avertissements et ces consignes de sécurité, il existe un risque de choc électrique, d'incendie et/ou de blessures corporelles graves.

CONSERVEZ TOUS LES AVERTISSEMENTS ET TOUTES LES CONSIGNES DE SÉCURITÉ POUR RÉFÉRENCE FUTURE.

Dans les avertissements, le terme « outil électroportatif » se rapporte à votre outil branché sur le secteur (avec fil) ou à votre outil alimenté par piles (sans fil).

Sécurité du lieu de travail

Maintenez le lieu de travail propre et bien éclairé. Les risques d'accident sont plus élevés quand on travaille dans un endroit encombré ou sombre.

N'utilisez pas d'outils électroportatifs dans des atmosphères explosives, comme par exemple en présence de gaz, de poussières ou de liquides inflammables. Les outils électroportatifs produisent des étincelles qui risquent d'enflammer les poussières ou les vapeurs.

Éloignez les enfants et les visiteurs quand vous vous servez d'un outil électroportatif. Vous risquez une perte de contrôle si on vous distrait.

Sécurité électrique

Les fiches des outils électroportatifs doivent correspondre à la prise. Il ne faut absolument jamais modifier la fiche. N'utilisez pas d'adaptateur de prise avec des outils électroportatifs munis d'une fiche de terre. Le risque de choc électrique est moindre si on utilise une fiche non modifiée sur une prise qui lui correspond.

Évitez tout contact du corps avec des surfaces reliées à la terre tels que tuyaux, radiateurs, gazinières ou réfrigérateurs. Le risque de choc électrique augmente si votre corps est relié à la terre.

N'exposez pas les outils électroportatifs à la pluie ou à l'humidité. Si de l'eau pénètre dans un outil électroportatif, le risque de choc électrique augmente.

Ne maltraitez pas le cordon. Ne vous en servez jamais pour transporter l'outil électroportatif, pour le tirer ou pour le débrancher. Éloignez le cordon de la chaleur, des huiles, des arêtes coupantes ou des pièces mobiles. Les cordons abîmés ou emmêlés augmentent les risques de choc électrique.

Si vous utilisez un outil électroportatif à l'extérieur, employez une rallonge conçue pour l'extérieur. Ces rallonges sont faites pour l'extérieur et réduisent le risque de choc électrique.

S'il est absolument nécessaire d'utiliser l'outil électroportatif dans un endroit humide, utilisez une alimentation protégée par un disjoncteur de fuite de terre (GFCI). L'utilisation d'un disjoncteur GFCI réduit les risques de choc électrique.

Sécurité personnelle

Restez concentré, faites attention à ce que vous faites, et servez-vous de votre bon sens lorsque vous utilisez un outil électroportatif. N'employez pas d'outils électroportatifs quand vous êtes fatigué ou sous l'emprise de drogues, d'alcool ou de médicaments. Quand on utilise des outils électroportatifs, il suffit d'un moment d'inattention pour causer des blessures corporelles graves.

Utilisez des équipements de sécurité personnelle. Portez toujours une protection oculaire. Le port d'équipements de sécurité tels que des masques antipoussières, des chaussures de sécurité antidérapantes, des casques de chantier et des protecteurs d'oreilles dans des conditions appropriées réduira le risque de blessure corporelle.

Évitez les démarrages intempestifs. Assurez-vous que l'interrupteur est dans la position arrêt (Off) avant de brancher l'outil dans une prise de courant et/ou un bloc-piles, de le ramasser ou de le transporter. Le transport d'un outil électroportatif avec le doigt sur la gâchette ou le branchement de cet outil quand l'interrupteur est en position de marche (ON) est une invite aux accidents.

Enlevez toutes les clés de réglage avant de mettre l'outil électroportatif en marche. Si on laisse une clé sur une pièce tournante de l'outil électroportatif, il y a risque de blessure corporelle.

Ne vous penchez pas. Conservez toujours une bonne assise et un bon équilibre. Ceci vous permettra de mieux maîtriser l'outil électroportatif dans des situations inattendues.

Habillez-vous de manière appropriée. Ne portez pas de vêtements amples ou de bijoux. Attachez les cheveux longs. N'approchez pas les cheveux, les vêtements ou les gants des pièces en mouvement. Les vêtements amples, les bijoux ou les cheveux longs risquent d'être happés par les pièces en mouvement.

Si l'outil est muni de dispositifs permettant le raccordement d'un système d'aspiration et de collecte des poussières, assurez-vous que ces dispositifs sont raccordés et utilisés correctement. L'utilisation d'un dépoussiéreur peut réduire les dangers associés à l'accumulation de poussière.

Utilisation et entretien des outils électroportatifs

Ne forcez pas sur l'outil électroportatif. Utilisez l'outil électroportatif qui convient à la tâche à effectuer. L'outil qui convient à la tâche fait un meilleur travail et est plus sûr à la vitesse pour lequel il a été conçu.

Ne vous servez pas de l'outil électroportatif si son interrupteur ne parvient pas à le mettre en marche ou à l'arrêter. Tout outil électroportatif qui ne peut pas être commandé par son interrupteur est dangereux et doit être réparé.

Débranchez la fiche de la prise ou enlevez le bloc-pile de l'outil électroportatif avant tout réglage, changement d'accessoires ou avant de ranger l'outil électroportatif. De telles mesures de sécurité préventive réduisent le risque de démarrage intempestif de l'outil électroportatif.

Rangez les outils électroportatifs dont vous ne vous servez pas hors de portée des enfants et ne permettez pas à des personnes qui ne connaissent pas l'outil électroportatif ou qui ignorent ces consignes de s'en servir. Les outils électroportatifs sont dangereux dans les mains d'utilisateurs inexpérimentés.

Entretenez les outils électroportatifs. Vérifiez que les pièces mobiles sont alignées correctement et ne coïncident pas. Vérifiez qu'il n'y a pas de pièces cassées ou d'autre circonstance qui risquent d'affecter le fonctionnement de l'outil électroportatif. Si l'outil est abîmé, faites-le réparer avant de l'utiliser. De nombreux accidents sont causés par des outils électroportatifs mal entretenus.

Maintenez les outils coupants affûtés et propres. Les outils coupants entretenus correctement et dotés de bords tranchants affûtés sont moins susceptibles de coincer et sont plus faciles à maîtriser.

Utilisez l'outil électroportatif, les accessoires et les embouts d'outil, etc. conformément à ces instructions, en tenant compte des conditions de travail et des travaux à réaliser. L'emploi d'outils électroportatifs pour des tâches différentes de celles pour lesquelles ils ont été prévus peut résulter en une situation dangereuse.

Utilisation et entretien des outils à piles

Rechargez les piles uniquement avec le chargeur spécifié par le fabricant. Un chargeur qui convient à un type de bloc-piles peut entraîner un risque d'incendie quand il est utilisé avec un autre bloc-piles.

Utilisez des outils électroportatifs uniquement avec les bloc-piles spécifiquement désignés pour eux. L'utilisation de tout autre bloc-piles peut créer un risque de blessures et d'incendie.

Lorsque le bloc-piles n'est pas utilisé, gardez-le à distances d'autres objets métalliques tels que des trombones, des pièces de monnaie, des clés, des clous, des vis ou de tout autre objet métallique pouvant faire une connexion entre une borne et une autre. Court-circuiter les bornes des piles peut causer des brûlures ou un incendie.

Dans des conditions abusives, du liquide peut être éjecté de la pile ; dans un tel cas, évitez tout contact avec ce liquide. Si un contact se produit accidentellement, rincez avec de l'eau. Si le liquide entre en contact avec les yeux, consultez un médecin. Du liquide éjecté de la pile peut causer des irritations ou des brûlures.

Entretien

Faites réparer votre outil électroportatif par un agent de service qualifié n'utilisant que des pièces de rechange identiques. Ceci assure que la sécurité de l'outil électroportatif est préservée.

Consignes de sécurité pour perceuses/tournevis sans cordon

Utilisez la ou les poignée(s) auxiliaire(s) si elle est/elles sont fournie(s), avec l'outil. Une perte de contrôle pourrait causer des blessures physiques.

Tenez l'outil électroportatif par ses surfaces de préhension isolées lorsque vous effectuez une opération à l'occasion de laquelle l'accessoire de coupe risque d'entrer en contact avec un fil caché. Tout contact de l'accessoire de coupe avec un fil sous tension risque de mettre aussi sous tension les parties métalliques exposées de l'outil électroportatif, ce qui pourrait causer un choc électrique pour l'opérateur.

Utilisez des brides ou d'autres moyens pratiques de brider ou de supporter la pièce sur une plate-forme stable. Tenir la pièce à la main ou contre le corps est instable et risque de résulter en une perte de contrôle.

Ne percez, fixez et ne rentrez pas dans des murs existants ou autres endroits aveugles pouvant

abriter des fils électriques. Si cette situation est inévitable, débranchez tous les fusibles ou les disjoncteurs alimentant ce site.

Tenez toujours l'outil à deux mains. Si le foret venait à se coincer, vous serez plus à même de maîtriser le couple de réaction ou le rebond de l'outil.

Portez toujours des lunettes à coques latérales ou des lunettes de protection en utilisant cet outil. Utilisez un respirateur ou un masque anti-poussières pour les applications produisant de la poussière.

Assujettissez l'ouvrage à percer. Ne le tenez jamais dans votre main ou par-dessus vos jambes. Un support instable peut faire gripper le foret, provoquant ainsi une perte de contrôle et des blessures.

Débranchez le bloc-piles de l'outil ou placez l'interrupteur à la position de blocage ou d'arrêt

avant d'effectuer tout assemblage ou réglage ou de changer les accessoires. Ces mesures de sécurité préventives réduisent le risque d'une mise en marche accidentelle de l'outil.

Placez-vous de manière à éviter d'être pris entre l'outil ou la poignée latérale et les murs ou les montants. Si le foret se coince ou grippe dans l'ouvrage, le couple de réaction de l'outil pourrait écraser votre main ou votre pied.

Si le foret grippe dans l'ouvrage, relâchez la gâchette immédiatement, inversez le sens de rotation et appuyez lentement sur la gâchette pour faire ressortir le foret. Soyez prêt à un fort couple de réaction. Le corps de la perceuse aura tendance à tordre en sens opposé à mesure que le foret tourne.

Ne saisissez pas l'outil et ne placez vos mains trop près du foret ou du mandrin en rotation. Votre main pourrait être lacérée.

En installant un foret, insérez la tige de ce dernier bien à l'intérieur de la pince du mandrin. Si le foret

n'est pas inséré assez profondément, la prise de la pince sur le foret est réduite et la perte de contrôle est accrue. Après avoir inséré le foret, tirez sur celui-ci pour vous assurer qu'il est bien verrouillé.

N'utilisez pas de forets et d'accessoires émoussés ou endommagés. Les forets émoussés ou endommagés ont tendance à gripper dans l'ouvrage.

En retirant le foret de l'outil, évitez tout contact avec la peau et utilisez des gants protecteurs appropriés en saisissant le foret ou l'accessoire. Les accessoires peuvent être chauds après une utilisation prolongée.

Assurez-vous que les clés de serrage et de réglage sont retirées de la perceuse avant de mettre l'outil en marche. Les clés de serrage ou de réglage peuvent être projetées à grande vitesse et frapper une personne présente ou vous-même.

Ne faites pas fonctionner la perceuse en la portant à votre côté. Un foret en rotation pourrait s'emmêler à vos vêtements, ce qui pourrait causer des blessures.

Consignes de sécurité pour perceuses à percussion sans cordon

Portez des protecteurs d'oreilles quand vous utilisez des perceuses à percussion. L'exposition au bruit peut causer une perte d'acuité auditive.

Utilisez la ou les poignée(s) auxiliaire(s) si elle est/elles sont fournie(s), avec l'outil. Une perte de contrôle pourrait causer des blessures physiques.

Tenez l'outil électroportatif par ses surfaces de préhension isolées lorsque vous effectuez une opération à l'occasion de laquelle l'accessoire de coupe risque d'entrer en contact avec un fil caché. Tout contact de l'accessoire de coupe avec un fil sous tension risque de mettre aussi sous tension les parties métalliques exposées de l'outil électroportatif, ce qui pourrait causer un choc électrique pour l'opérateur.

Utilisez des brides ou d'autres moyens pratiques de brider ou de supporter la pièce sur une plate-forme stable. Tenir la pièce à la main ou contre le corps est instable et risque de résulter en une perte de contrôle.

Ne percez, fixez et ne rentrez pas dans des murs existants ou autres endroits aveugles pouvant abriter des fils électriques. Si cette situation est inévitable, débranchez tous les fusibles ou les disjoncteurs alimentant ce site.

Portez toujours des lunettes à coques latérales ou des lunettes de protection en utilisant cet outil. Utilisez un respirateur ou un masque anti-poussières pour les applications produisant de la poussière.

Utilisez des gants rembourrés épais et limitez le temps d'exposition en prenant des pauses fréquentes. Les vibrations causées par l'action du marteau-perceuse peuvent être nocives pour vos mains et vos bras.

Assujettissez l'ouvrage à percer. Ne le tenez jamais dans votre main ou par-dessus vos jambes. Un support instable peut faire gripper le foret, provoquant ainsi une perte de contrôle et des blessures.

Débranchez le bloc-piles de l'outil avant d'effectuer tout assemblage ou réglage, ou de changer des accessoires. Ces mesures de sécurité préventives réduisent le risque d'une mise en marche accidentelle de l'outil.

Placez-vous de manière à éviter d'être pris entre l'outil ou la poignée latérale et les murs ou les montants. Si le foret se coince ou grippe dans l'ouvrage, le couple de réaction de l'outil pourrait écraser votre main ou votre pied.

Si le foret grippe dans l'ouvrage, relâchez la gâchette immédiatement, inversez le sens de rotation et appuyez lentement sur la gâchette pour faire ressortir le foret. Soyez prêt à un fort couple de réaction. Le corps de la perceuse aura tendance à tordre en sens opposé à mesure que le foret tourne.

Ne saisissez pas l'outil et ne placez vos mains trop près du foret ou du mandrin en rotation. Votre main pourrait être lacérée.

En installant un foret, insérez la tige du foret bien à l'intérieur des mâchoires du mandrin. Si le foret n'est pas inséré assez profondément, la prise des mâchoires sur le foret est réduite et la perte de contrôle est accrue.

N'utilisez pas de forets et d'accessoires émoussés ou endommagés. Les forets émoussés ou endommagés ont tendance à gripper dans l'ouvrage.

En retirant le foret de l'outil, évitez tout contact avec la peau et utilisez des gants protecteurs appropriés en saisissant le foret ou l'accessoire. Les accessoires peuvent être chauds après une utilisation prolongée.

Assurez-vous que les clés de serrage et de réglage sont retirées de la perceuse avant de mettre l'outil

en marche. Les clés de serrage ou de réglage peuvent être projetées à grande vitesse et frapper une personne présente ou vous-même.

Ne faites pas fonctionner la outli en la portant à votre côté. Un foret en rotation pourrait s'emmêler à vos vêtements, ce qui pourrait causer des blessures.

Avertissements supplémentaires concernant la sécurité

L'emploi d'un GFCI et de dispositifs de protection personnelle tels que gants et chaussures d'électricien en caoutchouc améliorent votre sécurité personnelle.

N'utilisez pas un outil conçu uniquement pour le C.A. sur une alimentation en C.C. Même si l'outil semble fonctionner, les composants électriques d'un outil prévu pour le C.A. tomberont probablement en panne et risquent de créer un danger pour l'utilisateur.

Maintenez les poignées sèches et exemptes d'huile et de graisse. On ne peut pas maîtriser un outil électroportatif en toute sécurité quand on a les mains glissantes.

Créez un agenda d'entretien périodique pour votre outil. Quand vous nettoyez un outil, faites attention de n'en démonter aucune pièce car il est toujours possible de mal remonter ou de pincer les fils internes ou de remonter incorrectement les ressorts de rappel des capots de protection. Certains agents de nettoyage tels que l'essence, le tétrachlorure de carbone, l'ammoniaque, etc. risquent d'abîmer les plastiques.

Veillez à ce que l'interrupteur soit dans la position de fermeture avant d'insérer le bloc-piles. L'insertion d'un bloc-piles dans un outil électroportatif dont

l'interrupteur est dans la position de marche est une invite aux accidents.

AVERTISSEMENT




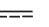








Les travaux à la machine tel que ponçage, sciage, meulage, perçage et autres travaux du bâtiment peuvent créer des poussières contenant des produits chimiques qui sont des causes reconnues de cancer, de malformation congénitale ou d'autres problèmes reproductifs. Ces produits chimiques sont, par exemple :

- Le plomb provenant des peintures à base de plomb,
- Les cristaux de silices provenant des briques et du ciment et d'autres produits de maçonnerie, et
- L'arsenic et le chrome provenant des bois traités chimiquement.

Le niveau de risque dû à cette exposition varie avec la fréquence de ces types de travaux. Pour réduire l'exposition à ces produits chimiques, il faut travailler dans un lieu bien ventilé et porter un équipement de sécurité approprié tel que certains masques à poussière conçus spécialement pour filtrer les particules microscopiques.

Symboles

IMPORTANT : Certains des symboles suivants peuvent être utilisés sur votre outil. Veuillez les étudier et apprendre leur signification. Une interprétation appropriée de ces symboles vous permettra d'utiliser l'outil de façon plus efficace et plus sûre.

Symbole	Nom	Désignation/Explication
V	Volts	Tension (potentielle)
A	Ampères	Courant
Hz	Hertz	Fréquence (cycles par seconde)
W	Watt	Puissance
kg	Kilogrammes	Poids
min	Minutes	Temps
s	Secondes	Temps
∅	Diamètre	Taille des mèches de perceuse, meules, etc.
n_0	Vitesse à vide	Vitesse de rotation, à vide
n	Vitesse nominale	Vitesse maximum pouvant être atteinte
.../min	Tours ou mouvement alternatif par minute	Tours, coups, vitesse en surface, orbites, etc., par minute
0	Position d'arrêt	Vitesse zéro, couple zéro ...
1, 2, 3, ... I, II, III, ...	Réglages du sélecteur	Réglages de vitesse, de couple ou de position. Un nombre plus élevé signifie une vitesse plus grande
	Sélecteur variable à l'infini avec arrêt	La vitesse augmente depuis le réglage 0
	Flèche	Action dans la direction de la flèche
	Courant alternatif	Type ou caractéristique du courant
	Courant continu	Type ou caractéristique du courant
	Courant alternatif ou continu	Type ou caractéristique du courant
	Construction classe II	Désigne des outils construits avec double isolation
	Borne de terre	Borne de mise à la terre
	Symbole d'avertissement	Alerte l'utilisateur aux messages d'avertissement.
	Sceau Li-ion RBRC	Désigne le programme de recyclage des piles Li-ion.
	Sceau Ni-Cad RBRC	Désigne le programme de recyclage des piles Ni-Cad.
	Symbole de lecture du mode d'emploi	Alerte l'utilisateur pour lire le mode d'emploi
	Symbole de port de lunettes de sécurité	Alerte l'utilisateur pour porter des lunettes de sécurité

Symboles (suite)

IMPORTANT : Certains des symboles suivants peuvent être utilisés sur votre outil. Veuillez les étudier et apprendre leur signification. Une interprétation appropriée de ces symboles vous permettra d'utiliser l'outil de façon plus efficace et plus sûre.



Ce symbole signifie que cet outil est approuvé par Underwriters Laboratories.



Ce symbole indique que ce composant est reconnu par Underwriters Laboratories.



Ce symbole signifie que cet outil est approuvé par Underwriters Laboratories selon les normes des États-Unis et du Canada.



Ce symbole signifie que cet outil est approuvé par l'Association canadienne de normalisation.



Ce symbole signifie que cet outil est approuvé par l'Association canadienne de normalisation selon les normes des États-Unis et du Canada.



Ce symbole signifie que cet outil est approuvé par Intertek Testing Services selon les normes des États-Unis et du Canada.



Ce symbole signifie que cet outil se conforme aux normes mexicaines NOM.

Description fonctionnelle et spécifications

AVERTISSEMENT Débranchez le bloc-piles de l'outil avant d'effectuer tout assemblage ou réglage, ou de changer des accessoires. Ces mesures de sécurité préventives réduisent le risque d'une mise en marche accidentelle de l'outil.

Perceuses/tournevis sans cordon et perceuses à percussion sans cordon

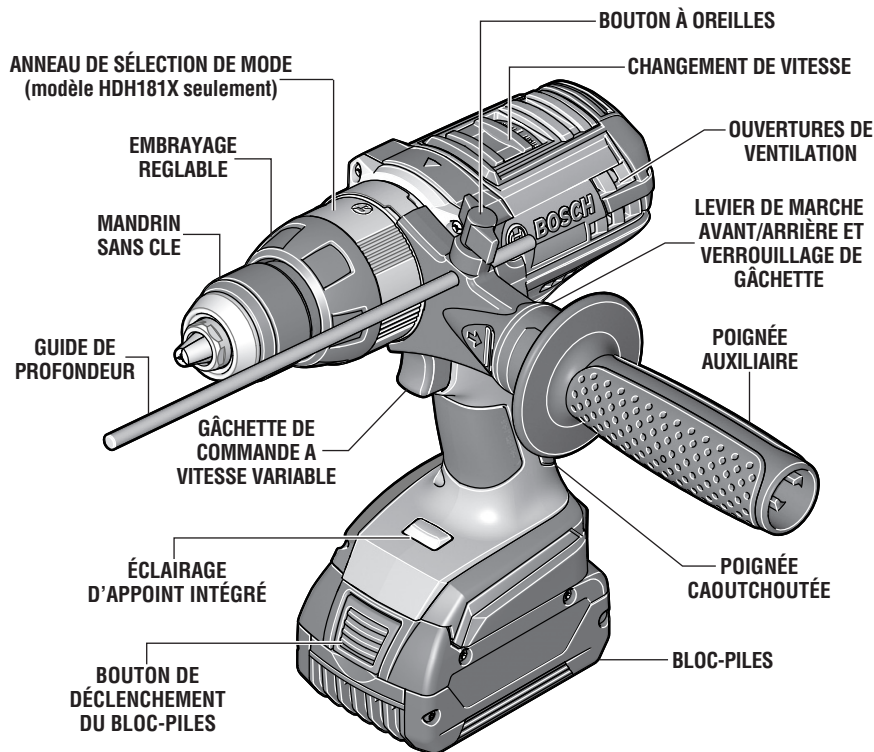


FIG. 1

Numéro de modèle	DDH181X	HDH181X
Tension nominale	18 V ===	18 V ===
Régime à vide 1	n ₀ 0-400/min	n ₀ 0-440/min
Régime à vide 2	n ₀ 0-1 700/min	n ₀ 0-1 850/min
Taux de percussion	NA	27 750 b/mn
Capacités maximales		
Dimension de mandrin	13 mm	13 mm
Tailles de vis	#14 x 76 mm	#16 x 76 mm
Métal doux	13 mm	13 mm
Bois dur	38 mm	35 mm
Bois tendre	51 mm	47 mm

Bloc-piles/chargeurs


Veillez vous reporter au mode d'emploi de votre pile / chargeur qui accompagne votre outil.

REMARQUE : Pour spécifications de l'outil, reportez-vous à la plaque signalétique de votre outil.

Assemblage

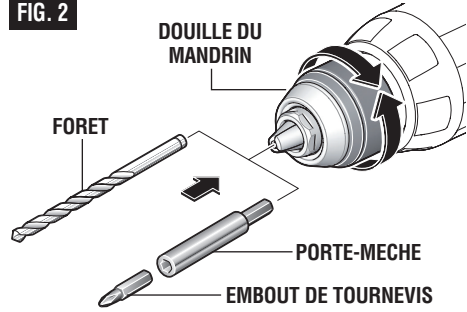
AVERTISSEMENT Débranchez le bloc-piles de l'outil avant d'effectuer tout assemblage ou réglage, ou de changer des accessoires. Ces mesures de sécurité préventives réduisent le risque d'une mise en marche accidentelle de l'outil.

INSERTION DES FORETS

Placez le levier inverseur de marche à la position centrale « OFF ». Retirez le bloc-piles et tournez l'anneau de l'embrayage jusqu'au symbole de foret «  ». Tournez le manchon du mandrin dans le sens opposé à celui des aiguilles d'une montre en le regardant depuis l'extrémité mandrin, et ouvrez le mandrin pour le faire correspondre environ au diamètre du foret. Insérez un foret propre jusqu'aux cannelures du foret pour les petits forets, ou aussi loin que possible pour les gros forets. Fermez le mandrin en tournant le manchon du mandrin dans le sens des aiguilles d'une montre et en serrant fermement à la main (Fig. 2).

AVERTISSEMENT N'utilisez pas la puissance de la perceuse en saisissant le mandrin pour desserrer ou resserrer le foret. Si vous tentez de saisir le mandrin en rotation, vous pourriez être blessé à la main ou subir une brûlure de friction.

FIG. 2



POIGNEE AUXILIAIRE

La poignée auxiliaire, qui pivote sur 360°, doit être utilisée pour supporter l'outil. Pour repositionner et/ou

faire pivoter la poignée, desserrez la manette, déplacez la poignée à la position désiré le long du cylindre, puis resserrez fermement la manette (Fig. 3 ou 4).

FIG. 3

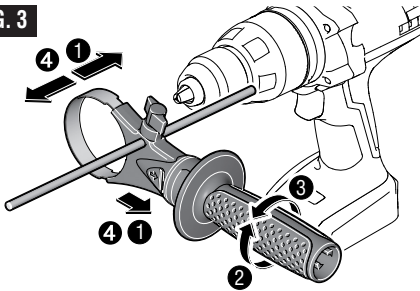
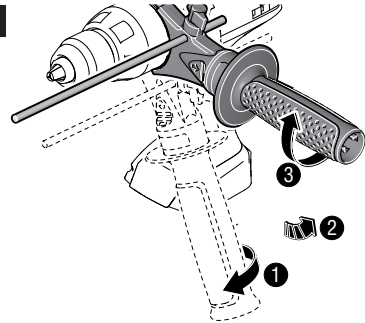


FIG. 4



GUIDE DE PROFONDEUR

Grâce au guide, il est possible de régler et/ou d'obtenir successivement la profondeur.

Réglage de la profondeur: Après l'installation de la poignée auxiliaire, glissez le guide à la profondeur voulue et serrez solidement le bouton à oreilles (Fig. 5 ou 6).

FIG. 5

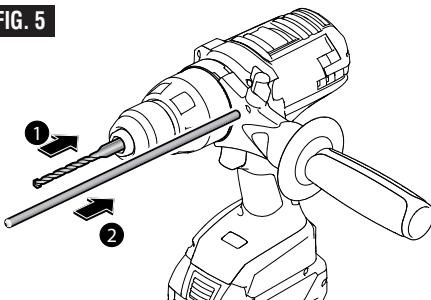
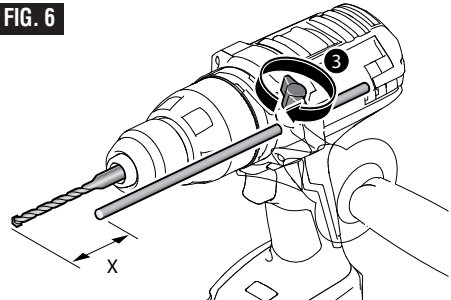


FIG. 6



Consignes de fonctionnement

GÂCHETTE DE COMMANDE A VITESSE VARIABLE

Votre outil est équipé d'une gâchette de commande à vitesse variable. Vous pouvez mettre le tournevis en marche ou à l'arrêt en appuyant sur la gâchette ou en la relâchant, suivant le cas. En fonction de la pression exercée sur la gâchette, il est possible de régler la vitesse dans les limites minimale et maximale spécifiées sur la plaquette emblématique. Exercez plus de pression pour augmenter la vitesse et moins pour la diminuer (Fig. 1).

LEVIER DE MARCHÉ AVANT/ARRIÈRE ET VERROUILLAGE DE GÂCHETTE

AVERTISSEMENT Après avoir utilisé l'outil, verrouillez la gâchette en position d'arrêt pour éviter les risques de démarrage accidentel et de décharge accidentelle.

Votre outil est équipé d'un levier de marche avant/arrière et d'un verrouillage de gâchette se trouvant au-dessus de la gâchette (Fig. 7). Ce levier a été conçu de manière à changer la rotation de l'embout et verrouiller la gâchette en position d'arrêt.

Pour la rotation avant (le mandrin étant dirigé en sens opposé à vous), déplacez le levier à l'extrême gauche (Fig. 7).

Pour la rotation inverse, déplacez le levier à l'extrême droite (Fig. 8). Pour actionner le verrouillage de gâchette, déplacez le levier à la position centrale (arrêt).

MISE EN GARDE Ne changez pas le sens de rotation avant que l'outil ne se soit complètement immobilisé. Un changement durant la rotation du mandrin pourrait endommager l'outil.

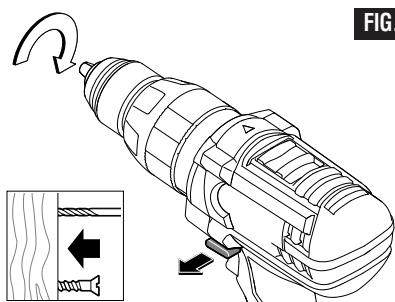


FIG. 7

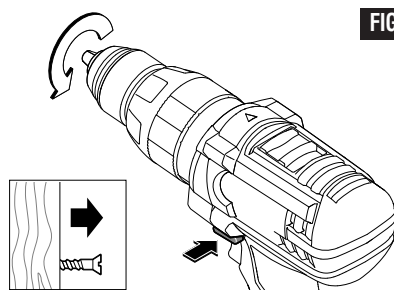


FIG. 8

“ACTIVE RESPONSE TECHNOLOGY™”

La fonction “Active Response Technology™” détecte tout mouvement de torsion rapide de la poignée de la perceuse et coupe rapidement l'alimentation électrique du moteur afin de limiter le mouvement de la poignée. Il est vraisemblable que vous ne vous trouverez guère dans cette situation que si la mèche de perçage se coince dans le matériau ou si un élément de fixation se coince ou atteint une butée encastrée profondément dans le matériau.

Si une mèche ou un élément de fixation se coince, un détecteur interne détectera le mouvement de torsion rapide de la poignée et coupera rapidement l'alimentation électrique du moteur, même si l'interrupteur à gâchette à vitesse variable est toujours enfoncé. La lumière de travail sur le pied de l'outil clignotera alors pour indiquer que le système a été engagé. Elle continuera à clignoter jusqu'à ce que l'interrupteur à gâchette de l'outil soit relâché. Notez que cette fonctionnalité ne peut s'activer que si la poignée de la perceuse a de la place pour tourner. Si vous travaillez dans un espace exigu, la poignée n'aura peut-être pas assez de place pour tourner, et cette fonctionnalité ne pourra alors pas être activée.

Pour libérer une mèche coincée, relâchez la gâchette et repositionnez la poignée pour la mettre dans une position de travail confortable. Mettez votre levier de

fonctionnement en sens normal/inverse dans la position de fonctionnement en sens inverse. Tenez-le fermement, en vous mettant dans une position corporelle stable pour bien contrôler la poignée principale aussi bien que la poignée auxiliaire de la perceuse. Tirez lentement sur la gâchette pour libérer la mèche de l'ouvrage. Une fois que la mèche aura été libérée, vous pourrez recommencer l'opération de perçage/vissage et continuer à travailler.

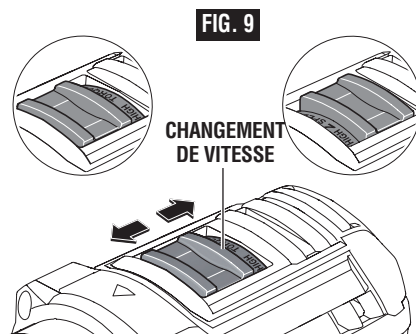
AVERTISSEMENT La fonction “Active Response Technology™” n'est pas prévue pour remplacer un quelconque dispositif de sécurité, ou des avertissements ou des instructions d'utilisation contenus dans ce manuel. Pour réduire le risque de blessure en utilisant cet outil, suivez toutes les consignes de sécurité et d'utilisation figurant dans ce manuel.

AVERTISSEMENT Si la fonction “Active Response Technology™” s'engage et si vous ne parvenez pas à changer la position de la poignée et à libérer la mèche, la poignée continuera à tourner quand vous réenclencherez la gâchette, et vous risquez de perdre le contrôle. Pour réduire le risque de blessure en utilisant cet outil, suivez les consignes d'utilisation concernant la libération d'une mèche coincée et le retour au mode de fonctionnement normal.

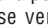
CHANGEMENT DE VITESSES

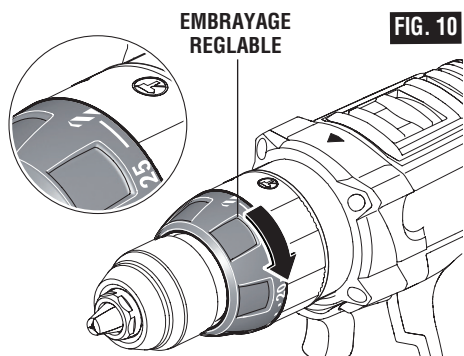
Votre outil comporte deux régimes distincts, le bas régime et le haut régime. Le bas régime produit un couple élevé et des vitesses de perçage plus lentes pour le travail à grand rendement ou pour enfoncer des vis. Le haut régime produit des vitesses plus rapides pour le perçage moins exigeant. Pour changer de vitesse, faites glisser le commutateur à la position haut ou bas régime (Fig. 9).

ATTENTION : Si votre outil semble fonctionner, mais le mandrin ne tourne pas, assurez-vous que l'interrupteur de changement de vitesses est poussé à fond dans le réglage désiré.



EMBRAYAGE REGLABLE

Votre outil comporte 25 réglages d'embrayage. Le couple produit augmentera à mesure que l'anneau de l'embrayage est tourné de la position 1 à la position 25. La position «  » de la perceuse verrouillera l'embrayage de manière à pouvoir percer et visser dans des matériaux difficiles. Cette même position permet également de changer rapidement et facilement les forets dans le mandrin sans clé (Fig. 10).



FREIN
Le relâchement de la gâchette active le frein qui immobilise le mandrin en rapidité, ce qui est surtout pratique pour l'enfoncement et l'enlèvement répétitifs des vis.

ÉCLAIRAGE D'APPOINT INTÉGRÉ

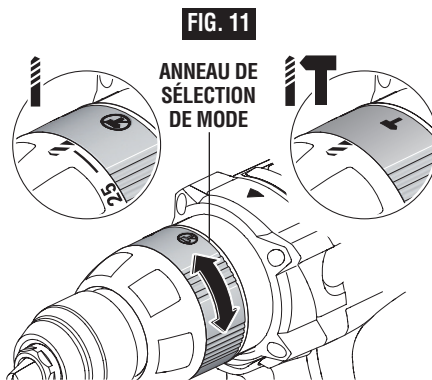
Votre outil est également doté d'une lampe qui s'allume automatiquement quand on appuie sur la gâchette pour améliorer la visibilité lors du perçage/vissage (Fig. 1).

ANNEAU DE SÉLECTION DE LA PERCEUSE/PERCEUSE À PERCUSSION (modèle HDH181X seulement)

L'anneau de sélection permet de régler l'outil pour diverses applications de perçage, avec ou sans percussion. Faites tourner le cadran de sélection vers la droite ou vers la gauche en fonction des applications décrites ci-dessous (Fig. 11).

Action de perçage seulement : pour percer dans des bois, des métaux, des plastiques ou d'autres matériaux, à l'exclusion du béton.

Action de perçage à percussion : pour percer dans du béton, de l'asphalte, du carrelage ou d'autres matériaux durs similaires. La position de perçage à percussion verrouille l'embrayage pour permettre le perçage à percussion.

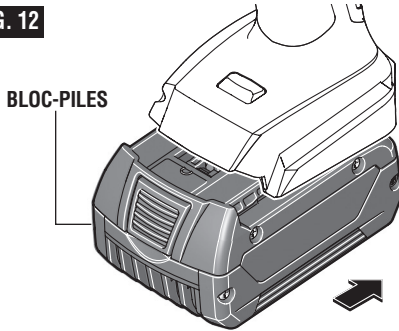


INSERTION ET RETRAIT DU BLOC-PILES

Mettez le levier de marche avant/arrière au centre (en position d'arrêt). Faites glisser le bloc-piles chargé dans le bâti jusqu'à ce que le bloc-piles se bloque en position (Fig. 12).

Votre outil est muni d'un loquet de verrouillage secondaire qui empêche le bloc-piles de se séparer complètement de la poignée et de tomber au cas où il viendrait à se décrocher à cause des vibrations.

FIG. 12

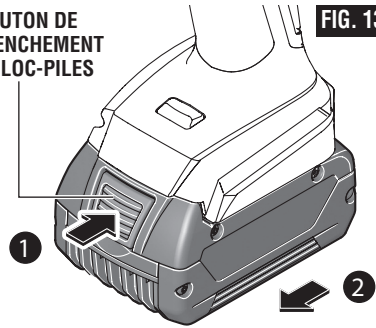


Pour retirer le bloc-piles, appuyez sur le bouton de déclenchement du bloc-piles et faites glisser le bloc-piles vers l'avant (Fig. 13).

Appuyez une fois de plus sur le bouton de déclenchement du bloc-piles et faites glisser le bloc-piles jusqu'à ce qu'il sorte complètement du bâti de l'outil (Fig. 13).

BOUTON DE DÉCLENCHEMENT DU BLOC-PILES

FIG. 13



Consignes de fonctionnement

Vous prolongerez la durée de vos forets et accomplirez un travail plus net si vous mettez toujours le foret en contact avec le matériau avant d'appuyer sur la gâchette. Durant le fonctionnement, tenez l'outil fermement et exercez une pression légère et constante. Une trop grande pression à basse vitesse bloquera l'outil. Une pression insuffisante empêchera le foret de couper et causera une friction excessive en glissant par-dessus la surface. L'outil et le foret peuvent ainsi être abîmés.

PERÇAGE À VITESSE VARIABLE

La fonction de vitesse variable commandée par gâchette éliminera la nécessité de poinçonner un trou central dans les matériaux durs. La gâchette à vitesse variable vous permet d'augmenter lentement le régime. En utilisant une vitesse lente au départ, vous pouvez empêcher le foret d'« errer ». Vous pouvez augmenter la vitesse à mesure que le foret « mord » dans le matériau en appuyant sur la gâchette.

ENFONCEMENT À VITESSE VARIABLE

Les perceuses à vitesse variable peuvent également servir de tournevis motorisé en utilisant un foret de tournevis en mode de perçage. La technique consiste à commencer lentement, puis à augmenter la vitesse à mesure que la vis s'enfonce. Posez la vis de manière à obtenir un ajustement doux en ralentissant jusqu'à l'arrêt. Avant d'enfoncer des vis, il faut percer des trous de positionnement et de dégagement.

FIXATION À L'AIDE DE VIS

La procédure illustrée à la (Fig. 14) vous permettra de fixer des matériaux ensemble à l'aide de votre perceuse/tournevis sans cordon sans dénuder, fendre ni séparer le matériau.

FIXATION À L'AIDE DE VIS

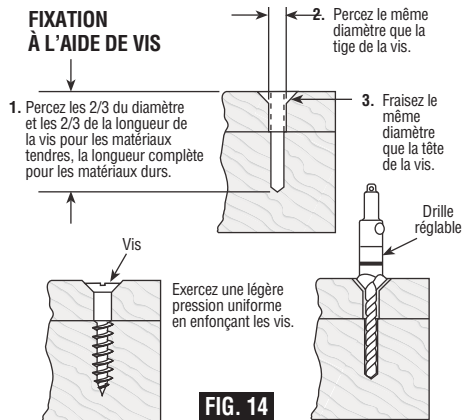


FIG. 14

Fixez d'abord les pièces ensemble à l'aide d'une bride, et percez le premier trou aux 2/3 du diamètre de la vis. Si le matériau est tendre, percez uniquement les 2/3 de la longueur voulue. Si le matériau est dur, percez toute la longueur.

Détachez ensuite les pièces et percez le deuxième trou du même diamètre que la tige de la vis dans la première pièce ou la pièce supérieure de bois.

En troisième lieu, si une vis à tête plate est employée, fraisez le trou pour mettre la vis de niveau avec la surface. Puis, exercez tout simplement une pression uniforme en enfonçant la vis. Le trou de dégagement de la tige de la vis dans la première pièce permet à la tête de la vis de tirer les pièces fermement ensemble.

L'accessoire réglable de drille exécutera rapidement et facilement toutes ces opérations. Des drilles sont offertes pour vis de tailles 6, 8, 10 et 12.

FORETS

Inspectez toujours les forets pour y relever toute usure excessive. N'utilisez que des forets affilés et en bon état.

FORETS À SIMPLE SPIRALE : Offerts avec tiges droites et réduites pour le perçage du bois et le perçage non exigeant des métaux. Les forets à grande vitesse coupent plus rapidement et durent plus longtemps sur les matériaux durs.

FORETS À POINTE EN CARBURE : S'utilisent pour percer la pierre, le béton, le plâtre, le ciment et les autres matériaux non métalliques exceptionnellement durs. Exercez une forte pression continue d'alimentation lorsque vous employez des forets à pointe en carbure.

PERÇAGE DU BOIS

Assurez-vous que le matériau est assujéti par brides de fixation ou ancré fermement. Exercez toujours une pression en ligne droite avec le foret. Maintenez suffisamment de pression pour que le foret continue à « mordre ».

Vous pouvez utiliser des forets à simple spirale pour percer des trous dans le bois. Ces forets peuvent surchauffer à moins que vous ne les retiriez fréquemment pour enlever les copeaux sur les cannelures.

Utilisez un bloc d'appui en bois pour les matériaux susceptibles de voler en éclats tels que les matériaux minces.

Vous percerez un trou plus net si vous relâchez la pression immédiatement avant que le foret ne traverse le bois. Terminez ensuite le trou à l'arrière.

PERÇAGE DES MÉTAUX

Il existe deux règles pour percer les matériaux durs. En premier lieu, plus le matériau est dur, plus il vous faut exercer de pression sur l'outil. En deuxième lieu, plus le matériau est dur, plus vous devez percer lentement. Voici quelques conseils pour percer les métaux. Lubrifiez la pointe du foret à l'occasion à l'aide d'huile de coupe, sauf lorsque vous percez des métaux tendres tels que l'aluminium, le cuivre ou la fonte de fer. Si le trou à percer est assez grand, percez d'abord un plus petit trou, puis agrandissez-le aux dimensions nécessaires. C'est souvent plus rapide à long terme. Maintenez suffisamment de pression pour faire en sorte

que le foret ne fasse pas seulement tourner dans le trou. Ceci émoûssera le foret et réduira considérablement sa vie utile.

PERÇAGE DE LA MAÇONNERIE

Les matériaux tendres tels que la brique sont relativement faciles à percer. Cependant, le béton nécessitera une pression beaucoup plus grande pour empêcher le foret de tourner. Veillez à utiliser des forets à pointe en carbure pour tout le travail de maçonnerie.

⚠ AVERTISSEMENT

Avant d'utiliser un accessoire, assurez-vous que sa vitesse maximale de fonctionnement sûr n'est pas dépassée par la vitesse indiquée sur la plaque signalétique de l'outil. Ne dépassez pas le diamètre recommandé de la meule.

PONÇAGE ET POLISSAGE

Le polissage et le ponçage de finition nécessitent une « touche ». Choisissez la vitesse la plus efficace.

En utilisant les bonnets de polissage, assurez-vous toujours que l'excédent de corde qui fixe le bonnet est bien rentré à l'intérieur du bonnet durant le fonctionnement.

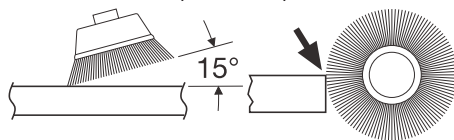
BROSSES MÉTALLIQUES

Le travail avec les brosses nécessite des grandes vitesses.

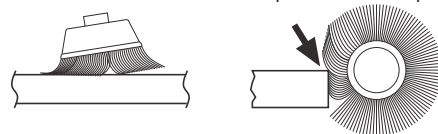
PRESSIION DE BROSSAGE

1. Souvenez-vous : ce sont les pointes d'une brosse métallique qui font le travail. N'appliquez qu'une pression très légère sur la brosse de sorte que seules les pointes des poils viennent en contact avec la pièce.
2. Si vous appliquez une pression trop importante, les poils seront surchargés, résultant en un balayage de la pièce. Si ceci se prolonge, la durée de vie de la brosse s'en trouvera écourtée à cause de la fatigue des poils.
3. Appliquez la brosse sur la pièce de manière à ce que la plus grande partie possible de sa tranche soit en contact total avec la pièce. Appliquer le côté ou le bord de la brosse sur la pièce résulterait en une cassure des poils et écourterait sa durée de vie.

CORRECT Les pointes des poils font le travail.



INCORRECT Pression excessive risquant de briser les poils.



POSE DES ÉCROUS ET DES BOULONS

La commande à vitesse variable doit être utilisée soigneusement pour poser des écrous et des boulons avec des accessoires de douille. La technique consiste à commencer lentement, puis à augmenter la vitesse à

mesure que l'écrou ou le boulon s'enfonce. Posez l'écrou ou le boulon de manière à obtenir un ajustement doux en ralentissant la perceuse jusqu'à l'arrêt. Si cette technique n'est pas suivie, l'outil aura tendance à tordre dans vos mains lorsque l'écrou ou le boulon se calera.

Entretien

Service

AVERTISSEMENT IL N'EXISTE À L'INTÉRIEUR AUCUNE PIÈCE SUSCEPTIBLE D'ÊTRE ENTRETENUE PAR L'UTILISATEUR. L'entretien préventif exécuté par des personnes non autorisés peut entraîner un positionnement erroné des composants et des fils internes, ce qui peut présenter de graves dangers.

Nous recommandons de confier toute intervention d'entretien sur l'outil à un centre de service-usine Bosch ou à un centre de service après-vente Bosch agréé. TECHNICIENS : Débranchez l'outil et/ou le chargeur de la source de courant avant d'entretenir.

PILES

Faire attention aux blocs-piles qui approchent la fin de leur vie. Si vous remarquez une diminution dans les performances de votre outil ou une durée de fonctionnement réduite de manière significative entre charges, il est temps de remplacer le bloc-piles. S'il n'est pas remplacé, il se peut qu'il endommage le chargeur ou que l'outil fonctionne incorrectement.

GRAISSAGE DE L'OUTIL

Votre outil Bosch a été graissé de manière appropriée et il est prêt à l'usage.

MOTEUR

Le moteur de votre outil a été conçu pour de nombreuses heures d'utilisation fiable. Pour maintenir l'efficacité maximale du moteur, nous recommandons de l'examiner tous les six mois. Seul un moteur de remplacement Bosch authentique, conçu spécialement pour votre outil, doit être utilisé.

Nettoyage

AVERTISSEMENT Pour éviter les accidents, débranchez toujours l'outil et/ou le chargeur de la source de courant avant de nettoyer. La façon la plus efficace de nettoyer l'outil est à l'aide d'air sec comprimé. Portez toujours des lunettes de sécurité en nettoyant les outils à l'air comprimé.

Les prises d'air et les leviers de commutation doivent être gardés propres et exempts de corps étrangers. Ne tentez pas de nettoyer en insérant des objets pointus à travers l'ouverture.

AVERTISSEMENT Certains agents de nettoyages et certains dissolvants abîment les pièces en plastique. Parmi ceux-ci se trouvent: l'essence, le tétrachlorure de carbone, les dissolvants de nettoyage chlorés, l'ammoniaque ainsi que les détergents domestiques qui en contiennent.

Accessoires

(* = équipement standard)
(** = accessoire en option)

* Lame de tournevis
* Étui

Advertencias generales de seguridad para herramientas mecánicas



ADVERTENCIA

Lea todas las advertencias de seguridad y todas las instrucciones. Si no se siguen las advertencias e instrucciones, el resultado podría ser sacudidas eléctricas, incendio y/o lesiones graves.

GUARDE TODAS LAS ADVERTENCIAS E INSTRUCCIONES PARA REFERENCIA FUTURA

La expresión "herramienta mecánica" en las advertencias se refiere a su herramienta mecánica alimentada por la red eléctrica (herramienta alámbrica) o su herramienta mecánica alimentada por baterías (herramienta inalámbrica).

Seguridad del área de trabajo

Mantenga el área de trabajo limpia y bien iluminada. Las áreas desordenadas u oscuras invitan a que se produzcan accidentes.

No utilice herramientas mecánicas en atmósferas explosivas, como por ejemplo en presencia de líquidos, gases o polvos inflamables. Las herramientas mecánicas generan chispas que pueden incendiar el polvo o los vapores.

Mantenga alejados a los niños y a las personas que estén presentes mientras esté utilizando una herramienta mecánica. Las distracciones pueden hacerle perder el control de la herramienta.

Seguridad eléctrica

Los enchufes de las herramientas mecánicas deben coincidir con el tomacorriente. No modifique nunca el enchufe de ningún modo. No use enchufes adaptadores con herramientas mecánicas conectadas a tierra (puestas a tierra). Los enchufes no modificados y los tomacorrientes coincidentes reducirán el riesgo de sacudidas eléctricas.

Evite el contacto del cuerpo con las superficies conectadas o puestas a tierra, tales como tuberías, radiadores, estufas y refrigeradores. Hay un aumento del riesgo de sacudidas eléctricas si el cuerpo del operador se conecta o pone a tierra.

No exponga las herramientas mecánicas a la lluvia o a condiciones mojadas. La entrada de agua en una herramienta mecánica aumentará el riesgo de que se produzcan sacudidas eléctricas.

No maltrate el cordón de energía. No use nunca el cordón para transportar la herramienta mecánica, tirar de ella o desenchufarla. Mantenga el cordón alejado del calor, el aceite, los bordes afilados o las piezas móviles. Los cordones dañados o enganchados aumentan el riesgo de que se produzcan sacudidas eléctricas.

Cuando utilice una herramienta mecánica en el exterior, use un cordón de extensión adecuado para uso a la intemperie. La utilización de un cordón adecuado para uso a la intemperie reduce el riesgo de que se produzcan sacudidas eléctricas.

Si es inevitable utilizar una herramienta mecánica en un lugar húmedo, utilice una fuente de energía protegida por un interruptor de circuito accionado por corriente de pérdida a tierra (GFCI). El uso de un GFCI reduce el riesgo de sacudidas eléctricas.

Seguridad personal

Manténgase alerta, fíjese en lo que está haciendo y use el sentido común cuando esté utilizando una herramienta mecánica. No use una herramienta mecánica cuando esté cansado o bajo la influencia de drogas, alcohol o medicamentos. Un momento de distracción mientras esté utilizando herramientas mecánicas podría causar lesiones corporales graves.

Use equipo de protección personal. Use siempre protección de los ojos. El equipo de protección, como por ejemplo una máscara antipolvo, calzado de seguridad antideslizante, casco o protección de oídos, utilizado para las condiciones apropiadas, reducirá las lesiones corporales.

Evite el arranque accidental. Asegúrese de que el interruptor esté en la posición de apagado antes de conectar la herramienta a la fuente de energía y / o al paquete de batería, levantar la herramienta o transportarla. Transportar herramientas mecánicas con un dedo en el interruptor o encender herramientas mecánicas que tengan el interruptor en la posición de encendido invita a que se produzcan accidentes.

Quite todas las llaves de ajuste o de tuerca antes de encender la herramienta mecánica. Una llave de tuerca o de ajuste que se deje colocada en una pieza giratoria de la herramienta mecánica podría causar lesiones corporales.

No intente alcanzar demasiado lejos. Mantenga un apoyo de los pies y un equilibrio apropiados en todo momento. Esto permite controlar mejor la herramienta mecánica en situaciones inesperadas.

Vístase adecuadamente. No use ropa holgada ni alhajas holgadas. Mantenga el pelo, la ropa y los guantes alejados de las piezas móviles. La ropa holgada, las alhajas holgadas o el pelo largo pueden quedar atrapados en las piezas móviles.

Si se proporcionan dispositivos para la conexión de instalaciones de extracción y recolección de polvo, asegúrese de que dichas instalaciones estén conectadas y se usen correctamente. El uso de dispositivos de recolección de polvo puede reducir los peligros relacionados con el polvo.

Uso y cuidado de las herramientas mecánicas

No fuerce la herramienta mecánica. Use la herramienta mecánica correcta para la aplicación que desee realizar. La herramienta mecánica correcta hará

el trabajo mejor y con más seguridad a la capacidad nominal para la que fue diseñada.

No use la herramienta mecánica si el interruptor no la enciende y apaga. Toda herramienta mecánica que no se pueda controlar con el interruptor es peligrosa y debe ser reparada.

Desconecte el enchufe de la fuente de energía y/o el paquete de batería de la herramienta mecánica antes de hacer cualquier ajuste, cambiar accesorios o almacenar herramientas mecánicas. Dichas medidas preventivas de seguridad reducen el riesgo de arrancar accidentalmente la herramienta mecánica.

Guarde las herramientas que no esté usando fuera del alcance de los niños y no deje que personas que no estén familiarizadas con la herramienta mecánica o con estas instrucciones utilicen la herramienta. Las herramientas mecánicas son peligrosas en manos de usuarios que no hayan recibido capacitación.

Mantenga las herramientas mecánicas. Compruebe si hay piezas móviles desalineadas o que se atorán, si hay piezas rotas y si existe cualquier otra situación que podría afectar el funcionamiento de la herramienta mecánica. Si la herramienta mecánica está dañada, haga que la reparen antes de usarla. Muchos accidentes son causados por herramientas mecánicas mantenidas deficientemente.

Mantenga las herramientas de corte afiladas y limpias. Es menos probable que las herramientas de corte mantenidas apropiadamente, con bordes de corte afilados, se atoren, y dichas herramientas son más fáciles de controlar.

Utilice la herramienta mecánica, los accesorios, las brocas de la herramienta, etc., de acuerdo con estas instrucciones, teniendo en cuenta las condiciones de trabajo y el trabajo que se vaya a realizar. El uso de la

herramienta mecánica para operaciones distintas a aquéllas para las que fue diseñada podría causar una situación peligrosa.

Uso y cuidado de las herramientas alimentadas por baterías

Recargue las baterías solamente con el cargador especificado por el fabricante. Un cargador que es adecuado para un tipo de paquete de batería puede crear un riesgo de incendio cuando se utiliza con otro paquete de batería.

Utilice las herramientas mecánicas solamente con paquetes de batería designados específicamente. El uso de cualquier otro paquete de batería puede crear un riesgo de lesiones e incendio.

Cuando el paquete de batería no se esté usando, manténgalo alejado de otros objetos metálicos, tales como sujetapapeles, monedas, llaves, clavos, tornillos u otros objetos metálicos pequeños que pueden hacer una conexión de un terminal a otro. Si se cortocircuitan los terminales de la batería uno con otro, se pueden causar quemaduras o un incendio.

En condiciones abusivas, es posible que se eyecte líquido de la batería. Evite el contacto. Si se produce un contacto accidental, enjuáguese con agua. Si el líquido entra en contacto con los ojos, obtenga además ayuda médica. El líquido que salga eyectado de la batería puede causar irritación o quemaduras.

Servicio de ajustes y reparaciones

Haga que su herramienta mecánica reciba servicio de un técnico de reparaciones calificado, utilizando únicamente piezas de repuesto idénticas. Esto asegurará que se mantenga la seguridad de la herramienta mecánica.

Normas de seguridad para taladros/destornilladores sin cordón

Utilice el mango o mangos auxiliares, si se suministran con la herramienta. La pérdida de control puede causar lesiones corporales.

Agarre la herramienta eléctrica por las superficies de agarre con aislamiento cuando realice una operación en la que el accesorio de corte pueda entrar en contacto con cables ocultos. El accesorio de corte que entre en contacto con un cable que tenga corriente puede hacer que las partes metálicas de la herramienta eléctrica que estén al descubierto tengan corriente y podrían causar una descarga eléctrica al operador.

Use abrazaderas u otro modo práctico de sujetar y soportar la pieza de trabajo en una plataforma estable. Si se sujeta la pieza de trabajo con la mano o contra el cuerpo, se crea una situación inestable que podría causar pérdida de control.

No taladre, rompa, ni haga trabajo de sujeción en paredes existentes ni en otras áreas ciegas donde

pueda haber cables eléctricos. Si esta situación es inevitable, desconecte todos los fusibles o cortacircuitos que alimentan este sitio de trabajo.

Agarre siempre la herramienta con las dos manos. Si la broca se atasca, las dos manos le darán máximo control sobre la reacción de par motor o el retroceso.

Use siempre gafas de seguridad o protección de los ojos cuando utilice esta herramienta. Use una máscara antipolvo o un respirador para aplicaciones que generan polvo.

Fije el material que se está taladrando. Nunca lo tenga en las manos ni sobre las piernas. Un soporte inestable puede hacer que la broca taladradora se atasque, causando pérdida de control y lesiones.

Desconecte el paquete de baterías de la herramienta o ponga el interruptor en la posición fijada o de apagado antes de hacer cualquier

ensamblaje, ajustes o cambiar accesorios. Dichas medidas preventivas de seguridad reducen el riesgo de arrancar la herramienta accidentalmente.

Sitúese de modo que evite ser atrapado entre la herramienta o el mango lateral y las paredes o los postes. Si la broca se atasca o se engancha en la pieza de trabajo, el par motor de reacción de la herramienta podría aplastarle la mano o la pierna.

Si la broca se atasca en la pieza de trabajo, suelte el gatillo inmediatamente, invierta el sentido de giro y apriete lentamente el gatillo para sacar la broca. Está preparado para un fuerte par motor de reacción. El cuerpo del taladro tenderá a torcerse en sentido contrario al del giro de la broca.

No agarre la herramienta ni ponga las manos demasiado cerca del mandril o la broca taladradora que gira. Podría sufrir laceraciones en la mano.

Al instalar una broca taladradora, introduzca el cuerpo de la broca bien a fondo en el mandril. Si la broca no se introduce hasta una profundidad suficiente, se reduce el agarre del mandril sobre la

broca y se aumenta la pérdida de control. Después de introducir la broca, tire de ella para asegurarse de que haya quedado fija.

No utilice brocas ni accesorios desafilados o dañados. Las brocas o accesorios desafilados o dañados tienen mayor tendencia a atascarse en la pieza de trabajo.

Al sacar la broca de la herramienta, evite el contacto con la piel y use guantes protectores adecuados al agarrar la broca o el accesorio. Los accesorios pueden estar calientes después de un uso prolongado.

Compruebe que las llaves de ajuste y de tuerca se hayan quitado del taladro antes de encender la herramienta. Las llaves de ajuste o de tuerca pueden salir despedidas a gran velocidad y golpearle a usted o golpear a alguien que se esté presente.

No tenga en marcha el taladro mientras lo lleva a su lado. Una broca taladradora que gira podría engancharse en la ropa y producir lesiones.

Normas de seguridad para taladros de percusión sin cordón

Use protectores de oídos con los taladros de percusión. La exposición al ruido puede causar pérdida de audición.

Utilice el mango o mangos auxiliares, si se suministran con la herramienta. La pérdida de control puede causar lesiones corporales.

Agarre la herramienta eléctrica por las superficies de agarre con aislamiento cuando realice una operación en la que el accesorio de corte pueda entrar en contacto con cables ocultos. El accesorio de corte que entre en contacto con un cable que tenga corriente puede hacer que las partes metálicas de la herramienta eléctrica que estén al descubierto tengan corriente y podrían causar una descarga eléctrica al operador.

Use abrazaderas u otro modo práctico de sujetar y soportar la pieza de trabajo en una plataforma estable. Si se sujeta la pieza de trabajo con la mano o contra el cuerpo, se crea una situación inestable que podría causar pérdida de control.

No taladre, rompa, ni haga trabajo de sujeción en paredes existentes ni en otras áreas ciegas donde pueda haber cables eléctricos. Si esta situación es inevitable, desconecte todos los fusibles o cortacircuitos que alimentan este sitio de trabajo.

Use siempre gafas de seguridad o protección de los ojos cuando utilice esta herramienta. Use una máscara antipolvo o un respirador para aplicaciones que generen polvo.

Use guantes con almohadillado grueso y limite el tiempo de exposición tomando frecuentes períodos de

descanso. La vibración causada por la acción de percusión y taladro puede ser perjudicial para las manos y los brazos.

Fije el material que se está taladrando. Nunca lo tenga en las manos ni sobre las piernas. Un soporte inestable puede hacer que la broca taladradora se atasque, causando pérdida de control y lesiones.

Desconecte el paquete de batería de la herramienta antes de realizar cualquier ensamblaje, ajuste o cambio de accesorios. Dichas medidas preventivas de seguridad reducen el riesgo de arrancar la herramienta accidentalmente.

Sitúese de modo que evite ser atrapado entre la herramienta o el mango lateral y las paredes o los postes. Si la broca se atasca o se engancha en la pieza de trabajo, el par motor de reacción de la herramienta podría aplastarle la mano o la pierna.

Si la broca se atasca en la pieza de trabajo, suelte el gatillo inmediatamente, invierta el sentido de giro y apriete lentamente el gatillo para sacar la broca. Está preparado para un fuerte par motor de reacción. El cuerpo del taladro tenderá a torcerse en sentido contrario al del giro de la broca.

No agarre la herramienta ni ponga las manos demasiado cerca del mandril o la broca taladradora que gira. Podría sufrir laceraciones en la mano.

Al instalar una broca taladradora, introduzca el cuerpo de la broca bien a fondo entre las mordazas del mandril. Si la broca no se introduce hasta una profundidad suficiente, se reduce el agarre de las mordazas sobre la broca y se aumenta la pérdida de control.

No utilice brocas ni accesorios desafilados o dañados. Las brocas o accesorios desafilados o dañados tienen mayor tendencia a atascarse en la pieza de trabajo.

Al sacar la broca de la herramienta, evite el contacto con la piel y use guantes protectores adecuados al agarrar la broca o el accesorio. Los accesorios pueden estar calientes después de un uso prolongado.

Compruebe que las llaves de ajuste y de tuerca se hayan quitado del taladro antes de encender la herramienta. Las llaves de ajuste o de tuerca pueden salir despedidas a gran velocidad y golpearle a usted o golpear a alguien que se esté presente.

No tenga en marcha la herramienta mientras lo lleva a su lado. Una broca taladradora que gira podría engancharse en la ropa y producir lesiones.

Advertencias de seguridad adicionales

Un GFCI y los dispositivos de protección personal, como guantes de goma y calzado de goma de electricista, mejorarán más su seguridad personal.

No use herramientas mecánicas con capacidad nominal solamente para CA con una fuente de energía de CC. Aunque pueda parecer que la herramienta funciona correctamente, es probable que los componentes eléctricos de la herramienta con capacidad nominal para CA fallen y creen un peligro para el operador.

Mantenga los mangos secos, limpios y libres de aceite y grasa. Las manos resbalosas no pueden controlar de modo seguro la herramienta mecánica.

Desarrolle un programa de mantenimiento periódico de la herramienta. Cuando limpie una herramienta, tenga cuidado de no desmontar ninguna de sus partes, ya que los cables internos podrían reubicarse incorrectamente o pellizcarse, o los resortes de retorno de los protectores de seguridad podrían montarse incorrectamente. Ciertos agentes de limpieza, tales como gasolina, tetracloruro de carbono, amoníaco, etc., podrían dañar las piezas de plástico.

Asegúrese de que el interruptor esté en la posición de apagado antes de introducir el paquete de batería. Si

se introduce el paquete de batería en herramientas mecánicas que tengan el interruptor en la posición de encendido, se invita a que se produzcan accidentes.

⚠ ADVERTENCIA Cierta polvos generados por el lijado, aserrado, amolado y taladrado mecánicos, y por otras actividades de construcción, contienen agentes químicos que se sabe que causan cáncer, defectos de nacimiento u otros daños sobre la reproducción. Algunos ejemplos de estos agentes químicos son:

- Plomo de pinturas a base de plomo,
- Sílice cristalina de ladrillos y cemento y otros productos de mampostería, y
- Arsénico y cromo de madera tratada químicamente.

Su riesgo por causa de estas exposiciones varía, dependiendo de con cuánta frecuencia realice este tipo de trabajo. Para reducir su exposición a estos agentes químicos: trabaje en un área bien ventilada y trabaje con equipo de seguridad aprobado, como por ejemplo máscaras antipolvo que estén diseñadas especialmente para impedir mediante filtración el paso de partículas microscópicas.

Símbolos

IMPORTANTE: Es posible que algunos de los símbolos siguientes se usen en su herramienta. Por favor, estúdielos y aprenda su significado. La interpretación adecuada de estos símbolos le permitirá utilizar la herramienta mejor y con más seguridad.

Símbolo	Nombre	Designación/explicación
V	Volt	Tensión (potencial)
A	Ampere	Corriente
Hz	Hertz	Frecuencia (ciclos por segundo)
W	Watt	Potencia
kg	Kilogramo	Peso
min	Minuto	Tiempo
s	Segundo	Tiempo
\varnothing	Diámetro	Tamaño de las brocas taladradoras, muelas, etc
n_0	Velocidad sin carga	Velocidad rotacional sin carga
n	Velocidad nominal	Máxima velocidad obtenible
.../min	Revoluciones o alternación por minuto	Revoluciones, golpes, velocidad de superficie, órbitas, etc., por minuto
0	Posición "off" (apagado)	Velocidad cero, par motor cero...
1, 2, 3, ... I, II, III,	Graduaciones del selector	Graduaciones de velocidad, par motor o posición. Un número más alto significa mayor velocidad
	Selector infinitamente variable con apagado	La velocidad aumenta desde la graduación de 0
	Flecha	Acción en la dirección de la flecha
	Corriente alterna	Tipo o una característica de corriente
	Corriente continua	Tipo o una característica de corriente
	Corriente alterna o continua	Tipo o una característica de corriente
	Construcción de clase II	Designa las herramientas de construcción con aislamiento doble.
	Terminal de toma de tierra	Terminal de conexión a tierra
	Símbolo de advertencia	Alerta al usuario sobre mensajes de advertencia
	Sello RBRC de Li-ion	Designa el programa de reciclaje de baterías de Li-ion
	Sello RBRC de Ni-Cd	Designa el programa de reciclaje de baterías de Ni-Cd
	Símbolo de lectura del manual	Alerta al usuario para que lea el manual
	Símbolo de uso de protección de los ojos	Alerta al usuario para que use protección de los ojos

Símbolos (continuación)

IMPORTANTE: Es posible que algunos de los símbolos siguientes se usen en su herramienta. Por favor, estúdielos y aprenda su significado. La interpretación adecuada de estos símbolos le permitirá utilizar la herramienta mejor y con más seguridad.



Este símbolo indica que esta herramienta está catalogada por Underwriters Laboratories.



Este símbolo indica que este componente está reconocido por Underwriters Laboratories.



Este símbolo indica que Underwriters Laboratories ha catalogado esta herramienta indicando que cumple con las normas estadounidenses y canadienses.



Este símbolo indica que esta herramienta está catalogada por la Canadian Standards Association.



Este símbolo indica que la Canadian Standards Association ha catalogado esta herramienta indicando que cumple con las normas estadounidenses y canadienses.



Este símbolo indica que Intertek Testing Services ha catalogado esta herramienta indicando que cumple con las normas estadounidenses y canadienses.



Este símbolo indica que esta herramienta cumple con la norma mexicana oficial (NOM).

Descripción funcional y especificaciones

ADVERTENCIA Desconecte el paquete de batería de la herramienta antes de realizar cualquier ensamblaje, ajuste o cambio de accesorios. Dichas medidas preventivas de seguridad reducen el riesgo de arrancar la herramienta accidentalmente.

Taladros/destornilladores sin cordón y taladros de percusión sin cordón

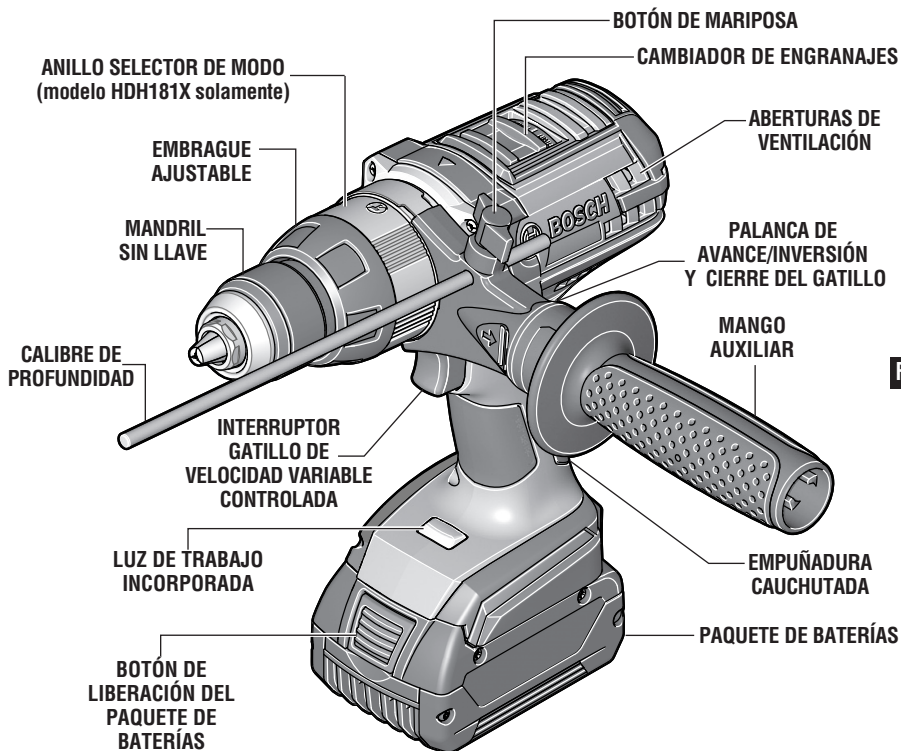


FIG. 1

Número de modelo	DDH181X	HDH181X
Tensión nominal	18 V \equiv	18 V \equiv
Velocidad sin carga 1	n_0 0-400/min	n_0 0-440/min
Velocidad sin carga 2	n_0 0-1 700/min	n_0 0-1 850/min
Frecuencia de impactos	NA	0-27 750 GPM
Capacidades máximas		
Tamaño de mandril	13 mm	13 mm
Tamaños de tornillo	#14 x 76 mm	#16 x 76 mm
Metal suave	13 mm	13 mm
Madera dura	38 mm	35 mm
Madera blanda	51 mm	47 mm

Paquetes de batería/Cargadores de baterías

Sírvase consultar el Manual de la batería/cargador que se incluye con su herramienta.

NOTA: Para obtener las especificaciones de la herramienta, consulte la placa del fabricante colocada en la herramienta.

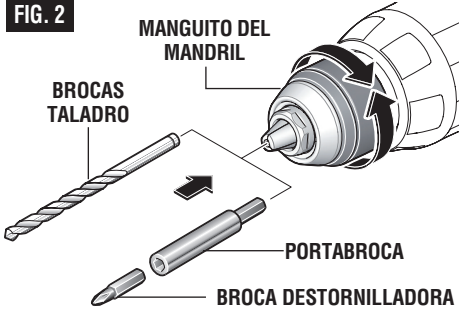
Ensamblaje

ADVERTENCIA Desconecte el paquete de batería de la herramienta antes de realizar cualquier ensamblaje, ajuste o cambio de accesorios. Dichas medidas preventivas de seguridad reducen el riesgo de arrancar la herramienta accidentalmente.

COLOCACION DE LAS BROCAS

Mueva la palanca del interruptor de inversión hacia la posición central "OFF" (desconectado). Quite el paquete de baterías y gire la anilla del embrague hasta el símbolo de broca taladradora "▲". Gire el manguito del mandril en sentido contrario al de las agujas del reloj según se ve desde el extremo del mandril y abra el mandril hasta aproximadamente el diámetro de la broca taladradora. Introduzca un broca limpia hasta las estrías de la broca taladradora para brocas pequeñas o hasta donde se pueda para brocas grandes. Cierre el mandril girando el manguito del mandril en el sentido de las agujas del reloj y apriételo firmemente a mano (Fig. 2).

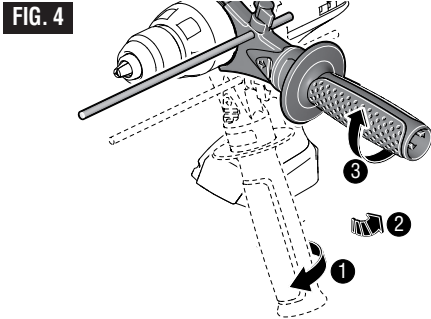
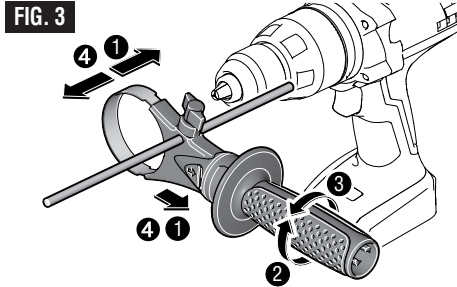
ADVERTENCIA No use la potencia del taladro mientras agarra el mandril para aflojar o apretar la broca. Es posible que se produzcan quemaduras por fricción o lesiones en las manos si se intenta agarrar el mandril que gira.



MANGO AUXILIAR

La herramienta se debe sujetar con el mango auxiliar, el cual se puede girar 360°. Para reposicionar y/o hacer girar el mango, afloje la empuñadura, mueva el

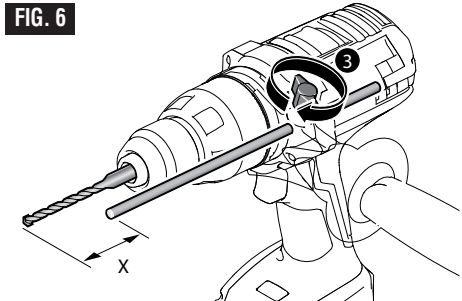
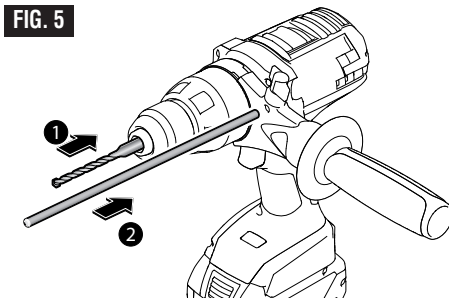
mango hasta la posición deseada a lo largo del cuerpo cilíndrico y vuelva a apretar firmemente la empuñadura (Fig. 3 o 4).



CALIBRE DE PROFUNDIDAD

La profundidad de perforación se puede prefijar y/o repetir utilizando el calibre de profundidad.

Ajuste de profundidad: Después de instalar el mango auxiliar, deslice el calibre de profundidad hasta la profundidad deseada y apriete firmemente el botón de mariposa (Fig. 5 o 6).



Instrucciones de funcionamiento

INTERRUPTOR GATILLO DE VELOCIDAD VARIABLE CONTROLADA

La herramienta está provista de un interruptor gatillo de velocidad variable. La herramienta se puede encender (posición "ON") o apagar (posición "OFF") al apretar o soltar el gatillo. La velocidad se puede ajustar desde el valor mínimo hasta el máximo de las RPM nominales mediante la presión ejercida sobre el gatillo. Ejercer más presión para aumentar la velocidad y disminuir la presión para reducir la velocidad (Fig. 1).

PALANCA DE AVANCE/INVERSIÓN Y CIERRE DEL GATILLO

ADVERTENCIA Después de utilizar la herramienta, fije el gatillo en la posición de apagado ("OFF") para ayudar a evitar los arranques accidentales y la descarga accidental de las baterías.

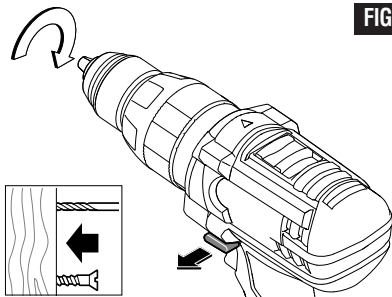


FIG. 7

La herramienta está equipada con una palanca de avance/inversión y un cierre del gatillo con ubicación encima del gatillo (Fig. 7). Esta palanca fue diseñada para invertir el sentido de rotación de la broca y para fijar el gatillo en la posición de apagado.

Para la rotación de "Avance" (con el mandril orientado en sentido opuesto a usted), mueva la palanca completamente hacia la izquierda (Fig. 7).

Para la rotación inversa, mueva la palanca completamente hacia la derecha (Fig. 8). Para activar el cierre del gatillo, mueva la palanca hasta la posición central "OFF".

PRECAUTION No cambie el sentido de giro hasta que la herramienta se haya detenido por completo. El cambio durante el giro del mandril puede causar daños a la herramienta.

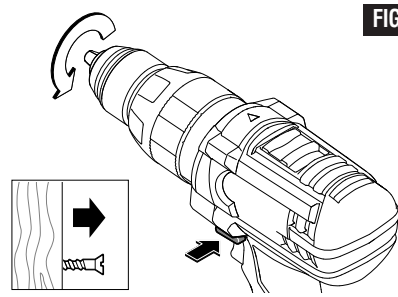


FIG. 8

"ACTIVE RESPONSE TECHNOLOGY™"

El "Active Response Technology™" es una función que detecta el giro rápido del mango del taladro y corta rápidamente la alimentación eléctrica al motor para limitar el movimiento del mango. Lo más probable es que usted encuentre esta situación cuando la broca taladradora se atore en el material o un sujetador se atore o toque fondo en un tope duro del material.

En el caso de que ocurra una situación de atoramiento, un sensor interno detectará la rotación rápida del mango y cortará rápidamente la alimentación eléctrica al motor, incluso mientras el interruptor gatillo de velocidad variable aún esté presionado. Entonces la luz de trabajo ubicada en el pie de la herramienta parpadeará para indicar que el sistema se ha activado. La luz seguirá parpadeando hasta que se suelte el interruptor gatillo de la herramienta. Tenga presente que esta función sólo puede actuar si el mango del taladro tiene libertad para rotar. Si está trabajando en un espacio confinado, puede que el mango no tenga capacidad para rotar de manera que la función se pueda activar.

Para liberar una broca atorada, suelte el gatillo y reposicione el mango a una posición de trabajo cómoda. Cambie la palanca de avance/inversión a la

posición de inversión. Con una posición estable del cuerpo, sujete firmemente los mangos principal y auxiliar del taladro. Jale lentamente el gatillo para soltar la broca de la pieza de trabajo. Una vez que la broca haya sido liberada, usted podrá restablecer la operación de taladrado/atornillado y continuar el trabajo.

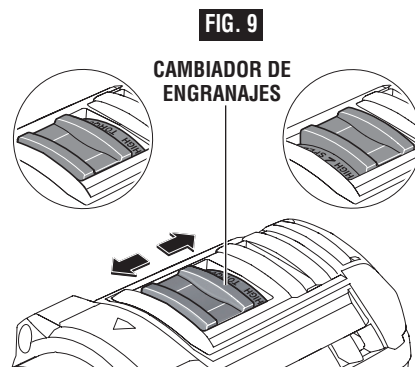
ADVERTENCIA La función de "Active Response Technology™" no está diseñada para reemplazar a ninguna función de seguridad ni las advertencias o instrucciones de utilización contenidas en este manual. Para reducir el riesgo de lesiones cuando se utilice la herramienta, siga todas las prácticas de utilización y de seguridad indicadas en este manual.

ADVERTENCIA Si la función de "Active Response Technology™" se acopla y usted no reposiciona el mango y desatora la broca, el mango seguirá rotando cuando usted reacople el gatillo y es posible que pierda el control. Para reducir el riesgo de lesiones cuando se utilice la herramienta, siga las instrucciones de utilización para soltar una broca atorada y regresar al funcionamiento normal.

CAMBIO DE ENGRANAJES

La herramienta está equipada con dos intervalos distintos de engranajes, engranaje de baja velocidad y engranaje de alta velocidad. El engranaje de baja velocidad proporciona un par motor alto y velocidades de taladrado más lentas para trabajo pesado o para apretar tornillos. El engranaje de alta velocidad proporciona velocidades más rápidas para taladrar cuando se trata de trabajo más ligero. Para cambiar velocidades, deslice el conmutador hasta la posición alta o baja (Fig. 9).

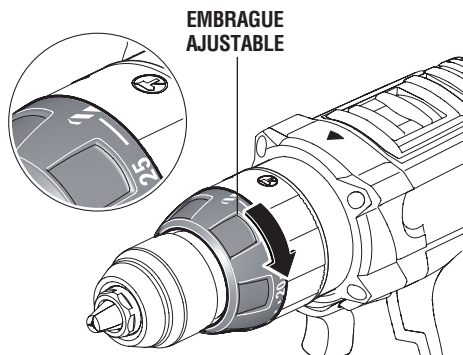
ATENCIÓN: Si parece que la herramienta está en marcha, pero el mandril no gira, asegúrese de que el interruptor de cambio de engranajes está empujado completamente hasta la posición deseada.



EMBRAGUE AJUSTABLE

La herramienta cuenta con 25 posiciones de embrague. El par motor de salida aumentará a medida que la anilla del embrague sea girada del 1 al 25. La posición de taladro "██████" fijará el embrague para permitir el taladrado y atornillado de piezas que requieren trabajo pesado y también permite cambiar las brocas rápida y fácilmente en el mandril de apriete sin llave (Fig. 10).

FIG. 10



FRENO

Cuando se suelta el interruptor gatillo, éste activa el freno para detener el mandril rápidamente. Esto es especialmente útil para apretar y remover tornillos repetidamente.

LUZ DE TRABAJO INCORPORADA

La herramienta también está equipada con una luz que se enciende automáticamente cuando se activa el

interruptor, para tener mejor visibilidad al taladrar/apretar (Fig. 1).

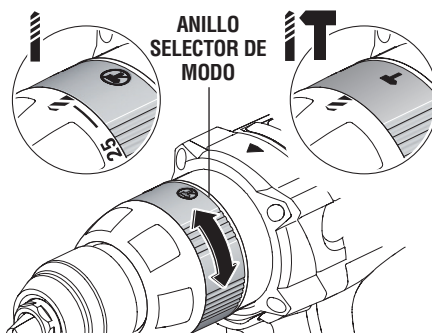
ANILLO SELECTOR DE TALADRO / TALADRO DE PERCUSIÓN (modelo HDH181X solamente)

El anillo selector permite ajustar la herramienta para varias aplicaciones de taladrado y taladrado de percusión. Gire el dial selector hacia la derecha o hacia la izquierda, dependiendo de las aplicaciones que se indican a continuación (Fig. 11).

Acción de taladro solamente: Para taladrar en maderas, metales, plásticos u otros materiales que no sean concreto.

Acción de taladro con percusión: Para taladrar en concreto, asfalto, loseta u otros materiales duros similares. La posición de taladro de percusión anula el embrague para realizar taladrado de percusión.

FIG. 11



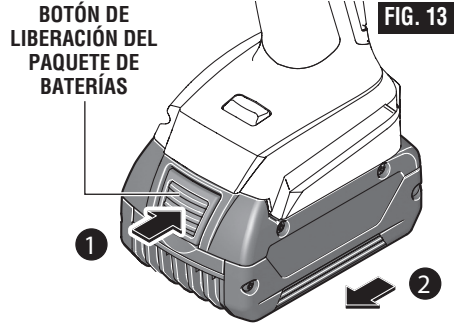
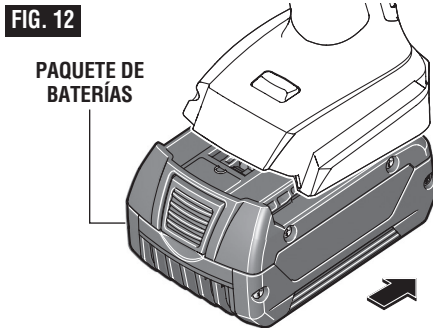
INTRODUCCIÓN Y SUELTA DEL PAQUETE DE BATERÍAS

Ponga la palanca de avance/inversión en la posición central (de apagado). Deslice el paquete de baterías cargado al interior de la carcasa hasta que dicho paquete se acople en su sitio (Fig. 12).

La herramienta está equipada con un pestillo de fijación secundario para impedir que dicho paquete se caiga y salga completamente del mango, en caso de que se afloje debido a la vibración.

Para quitar el paquete de baterías, oprima el botón de liberación del paquete de baterías y deslice dicho paquete hacia delante (Fig. 13).

Oprima de nuevo el botón de liberación del paquete de baterías y deslice dicho paquete completamente hacia afuera hasta sacarlo de la carcasa de la herramienta (Fig. 13).



Consejos de funcionamiento

Usted prolongará la vida de las brocas y realizará un trabajo mejor ejecutado si siempre pone la broca en contacto con la pieza de trabajo antes de apretar el gatillo. Durante el funcionamiento, sujete firmemente la herramienta y ejerza una presión ligera y uniforme. Una presión excesiva a baja velocidad hará que la herramienta se detenga. Una presión demasiado pequeña no permitirá que la broca corte y producirá un exceso de fricción al patinar sobre la superficie. Esto puede ser perjudicial tanto para la herramienta como para la broca.

TALADRADO CON VELOCIDAD VARIABLE

El dispositivo de velocidad variable controlada por gatillo eliminará la necesidad de punzonaduras para marcar en materiales duros. El gatillo de velocidad variable le permite a usted aumentar las RPM lentamente. Mediante la utilización de una velocidad inicial lenta, usted puede evitar que la broca se desvíe. Puede aumentar la velocidad apretando el gatillo a medida que la broca se va introduciendo en la pieza de trabajo.

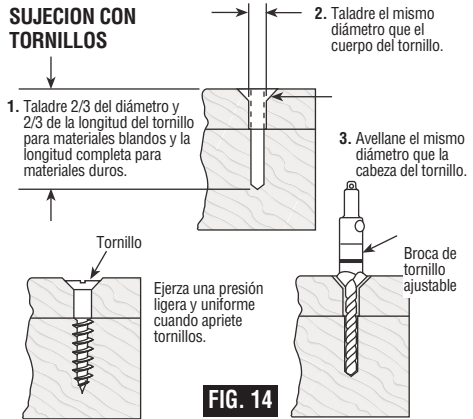
APRIETE DE TORNILLOS CON VELOCIDAD VARIABLE

Los taladros de velocidad variable servirán al mismo tiempo de destornillador mecánico mediante la utilización de una broca de destornillador. La técnica consiste en empezar despacio, aumentando la velocidad a medida que el tornillo avanza. Coloque el tornillo de manera que ajuste perfectamente mediante la disminución de la velocidad hasta detenerse. Antes de apretar los tornillos, se deben taladrar agujeros piloto y de paso.

SUJECION CON TORNILLOS

El procedimiento mostrado en la (Fig. 14) le permitirá a usted sujetar unos materiales a otros usando el taladro/destornillador sin cordón sin desforrar, rajar ni separar el material.

SUJECION CON TORNILLOS



Primero, fije las piezas una a otra y taladre el primer agujero con 2/3 del diámetro del tornillo. Si el material es blando, taladre únicamente 2/3 de la longitud correspondiente. Si es duro, taladre la longitud completa.

Segundo, suelte las piezas y taladre el segundo agujero con el mismo diámetro que el cuerpo del tornillo en la primera pieza, o pieza superior, de madera.

Tercero, si se utiliza un tornillo de cabeza plana, avellane el agujero para hacer que el tornillo quede al ras con la superficie. Luego, simplemente ejerza una presión uniforme cuando apriete el tornillo. El agujero de paso del cuerpo del tornillo en la primera pieza permite que la cabeza del tornillo mantenga las piezas unidas firmemente.

El accesorio de broca de tornillo ajustable realizará todas estas operaciones rápida y fácilmente. Hay brocas de tornillo disponibles para tamaños de tornillo No. 6, 8, 10 y 12.

BROCAS PARA TALADRO

Inspeccione siempre las brocas para ver si se ha producido un desgaste excesivo. Utilice únicamente brocas que están afiladas y en buenas condiciones.

BROCAS DE ESPIRAL: Disponibles con cuerpos rectos y acortados para taladrado de madera y taladrado ligero de metal. Las brocas de alta velocidad cortan más rápido y duran más en materiales duros.

BROCAS CON PUNTA DE CARBURO: Utilizadas para taladrar piedra, hormigón, escayola, cemento y otros no metales extraordinariamente duros. Utilice una fuerte presión de avance continua cuando emplee brocas con punta de carburo.

TALADRADO DE MADERA

Asegúrese de que la pieza de trabajo está fija o sujeta firmemente. Ejerza presión siempre en línea recta con la broca. Mantenga una presión suficiente para que la broca continúe penetrando.

Al taladrar agujeros en madera, se pueden utilizar brocas de espiral. Las brocas de espiral pueden recalentarse a menos que se saquen con frecuencia para quitar las virutas de las estrías.

Utilice un bloque de madera de "refuerzo" para piezas de trabajo que es posible que se astillen, tales como materiales delgados.

Usted taladrará un agujero mejor hecho si disminuye la presión justo antes de que la broca atraviese la madera completamente. Luego, termine el agujero desde la parte posterior.

TALADRADO DE METAL

Hay dos reglas para taladrar materiales duros. Primero, cuanto más duro sea el material, mayor es la presión que usted necesita ejercer sobre la herramienta. Segundo, cuanto más duro sea el material, más lenta ha de ser la velocidad. He aquí unos cuantos consejos para taladrar metal. Lubrique la punta de la broca de vez en cuando con aceite para cortar, excepto al taladrar metales blandos tales como aluminio, cobre o hierro fundido. Si el agujero que se va a taladrar es bastante grande, primero taladre un agujero más pequeño y luego agrándelo hasta el tamaño requerido; a la larga, esto

suele ser más rápido. Mantenga suficiente presión para asegurar que la broca no se limita a dar vueltas sin avanzar dentro del agujero. Esto desafilará la broca y acortará mucho la vida de ésta.

TALADRADO DE MAMPOSTERÍA

Los materiales blandos tales como el ladrillo son relativamente fáciles de taladrar. Sin embargo, el hormigón requerirá mucha más presión para evitar que la broca dé vueltas sin avanzar. Asegúrese de utilizar brocas con punta de carburo para todo el trabajo de mampostería.

⚠ ADVERTENCIA Antes de utilizar un accesorio, asegúrese de que la velocidad especificada en la placa del fabricante de la herramienta no exceda la velocidad máxima de funcionamiento con seguridad de dicho accesorio. No exceda el diámetro de rueda recomendado.

LIJADO Y PULIDO

El lijado fino y el pulido requieren "toque". Seleccione la velocidad más eficaz.

Al utilizar bonetes para pulir, asegúrese siempre de que el exceso de cordel que fija el bonete esté bien recogido dentro del bonete durante el funcionamiento.

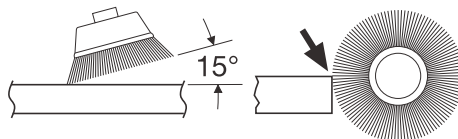
ESCOBILLAS DE ALAMBRE

El trabajo con escobillas requiere altas velocidades.

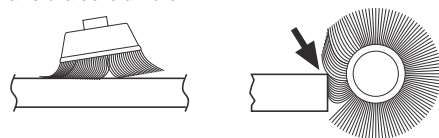
PRESIÓN DE CEPILLADO

1. Recuerde que las puntas de un cepillo de alambre hacen el trabajo. Utilice el cepillo con la presión más ligera para que solamente las puntas del alambre entren en contacto con la pieza de trabajo.
2. Si se utilizan presiones más grandes, se someterá a los alambres a una tensión excesiva, lo cual dará como resultado una acción de barrido, y si se continúa haciendo esto, podrá acortarse la duración del cepillo debido a la fatiga del alambre.
3. Aplique el cepillo a la pieza de trabajo de manera que tanta cara del cepillo como sea posible esté en contacto completo con la pieza de trabajo. La aplicación del lado o del borde del cepillo a la pieza de trabajo causará la rotura del alambre y acortará la duración del cepillo.

CORRECTO: Las puntas de alambre hacen el trabajo.



INCORRECTO: Una presión excesiva puede causar la rotura del alambre.



APRIETE DE TUERCAS Y PERNOS

El control de velocidad variable se debe utilizar con precaución para apretar tuercas y pernos con accesorios del juego de tubos. La técnica consiste en empezar despacio, aumentando la velocidad a medida que la tuerca o el perno avanza. Coloque la tuerca o el perno de

manera que encaje perfectamente mediante la disminución de la velocidad del taladro hasta que éste se detenga. Si no se sigue este procedimiento, la herramienta tendrá tendencia a experimentar un par motor o a torcerse en las manos cuando la tuerca o el perno se asiente en su sitio.

Mantenimiento

Servicio

⚠ ADVERTENCIA **NO HAY PIEZAS EN EL INTERIOR QUE PUEDAN SER AJUSTADAS O REPARADAS POR EL USUARIO. El mantenimiento preventivo realizado por personal no autorizado puede dar lugar a la colocación incorrecta de cables y componentes internos que podría constituir un peligro serio.** Recomendamos que todo el servicio de las herramientas sea realizado en un Centro de servicio de fábrica Bosch o en una Estación de servicio Bosch autorizada. **TECNICOS DE REPARACIONES:** Desconecten la herramienta y/o el cargador de la fuente de energía antes de realizar servicio de ajustes y reparaciones.

BATERÍAS

Esté alerta a los paquetes de baterías que estén aproximándose al final de su vida útil. Si observa una disminución del rendimiento de la herramienta o un tiempo de funcionamiento significativamente más corto entre cargas, entonces ha llegado el momento de cambiar el paquete de baterías. Si no se hace esto, el resultado puede ser que la herramienta funcione incorrectamente o que el cargador se dañe.

LUBRICACION DE LAS HERRAMIENTAS

Su herramienta Bosch ha sido lubricada adecuadamente y está lista para la utilización.

MOTOR

El motor de la herramienta ha sido diseñado para muchas horas de servicio fiable. Para mantener un rendimiento óptimo del motor, recomendamos que éste sea examinado cada seis meses. Sólo se debe usar un motor de repuesto Bosch genuino diseñado especialmente para la herramienta.

Limpieza

⚠ ADVERTENCIA **Para evitar accidentes, desconecte siempre la herramienta y/o el cargador de la fuente de energía antes de la limpieza.** La herramienta se puede limpiar más eficazmente con aire comprimido seco. **Use gafas de seguridad siempre que limpie herramientas con aire comprimido.**

Las aberturas de ventilación y las palancas de interruptor deben mantenerse limpias y libres de materias extrañas. No intente limpiar introduciendo objetos puntiagudos a través de las aberturas.

⚠ PRECAUCION **Ciertos agentes de limpieza y disolventes dañan las piezas de plástico.** Algunos de estos son: gasolina, tetracloruro de carbono, disolventes de limpieza clorados, amoníaco y detergentes domésticos que contienen amoníaco.

Accesorios

(* = equipo estándar)
(** = accesorios opcionales)

* Broca de destornillador
* Estuche de transporte

Notes:

Remarques :

Notas:

LIMITED WARRANTY OF BOSCH PORTABLE AND BENCHTOP POWER TOOLS

Robert Bosch Tool Corporation ("Seller") warrants to the original purchaser only, that all BOSCH portable and benchtop power tools will be free from defects in material or workmanship for a period of one year from date of purchase. SELLER'S SOLE OBLIGATION AND YOUR EXCLUSIVE REMEDY under this Limited Warranty and, to the extent permitted by law, any warranty or condition implied by law, shall be the repair or replacement of parts, without charge, which are defective in material or workmanship and which have not been misused, carelessly handled, or misrepaired by persons other than Seller or Authorized Service Station. To make a claim under this Limited Warranty, you must return the complete portable or benchtop power tool product, transportation prepaid, to any BOSCH Factory Service Center or Authorized Service Station. For Authorized BOSCH Power Tool Service Stations, please refer to your phone directory.

THIS LIMITED WARRANTY DOES NOT APPLY TO ACCESSORY ITEMS SUCH AS CIRCULAR SAW BLADES, DRILL BITS, ROUTER BITS, JIGSAW BLADES, SANDING BELTS, GRINDING WHEELS AND OTHER RELATED ITEMS.

ANY IMPLIED WARRANTIES SHALL BE LIMITED IN DURATION TO ONE YEAR FROM DATE OF PURCHASE. SOME STATES IN THE U.S., SOME CANADIAN PROVINCES DO NOT ALLOW LIMITATIONS ON HOW LONG AN IMPLIED WARRANTY LASTS, SO THE ABOVE LIMITATION MAY NOT APPLY TO YOU.

IN NO EVENT SHALL SELLER BE LIABLE FOR ANY INCIDENTAL OR CONSEQUENTIAL DAMAGES (INCLUDING BUT NOT LIMITED TO LIABILITY FOR LOSS OF PROFITS) ARISING FROM THE SALE OR USE OF THIS PRODUCT. SOME STATES IN THE U.S. AND SOME CANADIAN PROVINCES DO NOT ALLOW THE EXCLUSION OR LIMITATION OF INCIDENTAL OR CONSEQUENTIAL DAMAGES, SO THE ABOVE LIMITATION OR EXCLUSION MAY NOT APPLY TO YOU.

THIS LIMITED WARRANTY GIVES YOU SPECIFIC LEGAL RIGHTS, AND YOU MAY ALSO HAVE OTHER RIGHTS WHICH VARY FROM STATE TO STATE IN THE U.S., PROVINCE TO PROVINCE IN CANADA AND FROM COUNTRY TO COUNTRY.

THIS LIMITED WARRANTY APPLIES ONLY TO PORTABLE AND BENCHTOP ELECTRIC TOOLS SOLD WITHIN THE UNITED STATES OF AMERICA, CANADA AND THE COMMONWEALTH OF PUERTO RICO. FOR WARRANTY COVERAGE WITHIN OTHER COUNTRIES, CONTACT YOUR LOCAL BOSCH DEALER OR IMPORTER.

GARANTIE LIMITÉE DES OUTILS ÉLECTRIQUES PORTATIFS ET D'ÉTABLI BOSCH

Robert Bosch Tool Corporation (le « vendeur ») garantit à l'acheteur initial seulement que tous les outils électriques portatifs et d'établi BOSCH seront exempts de vices de matériaux ou d'exécution pendant une période d'un an depuis la date d'achat. LA SEULE OBLIGATION DU VENDEUR ET LE SEUL RECOURS DE L'ACHETEUR sous la présente garantie limitée, et en autant que la loi le permette sous toute garantie ou condition implicite qui en découlerait, sera l'obligation de remplacer ou réparer gratuitement les pièces défectueuses matériellement ou comme fabrication, pourvu que lesdites défectuosités ne soient pas attribuables à un usage abusif ou à quelque réparation bricolée par quelqu'un d'autre que le vendeur ou le personnel d'une station-service agréée. Pour présenter une réclamation en vertu de cette garantie limitée, vous devez renvoyer l'outil électrique portatif ou d'établi complet, port payé, à tout centre de service agréé ou centre de service usine. Veuillez consulter votre annuaire téléphonique pour les adresses.

LA PRÉSENTE GARANTIE NE S'APPLIQUE PAS AUX ACCESSOIRES TELS QUE LAMES DE SCIES CIRCULAIRES, MÊCHES DE PERCEUSES, FERS DE TOUPIES, LAMES DE SCIES SAUTEUSES, COURROIES DE PONÇAGE, MEULES ET AUTRES ARTICLES DU GENRE.

TOUTE GARANTIE IMPLICITE SERA LIMITÉE COMME DURÉE À UN AN À COMPTER DE LA DATE D'ACHAT. CERTAINS ÉTATS AMÉRICAINS, CERTAINES PROVINCES CANADIENNES N'ADMETTANT PAS LE PRINCIPE DE LA LIMITATION DE LA DURÉE DES GARANTIES IMPLICITES, IL EST POSSIBLE QUE LES LIMITATIONS CI-DESSUS NE S'APPLIQUENT PAS À VOTRE CAS.

EN AUCUN CAS LE VENDEUR NE SAURAIT ÊTRE TEMU POUR RESPONSABLE DES INCIDENTS OU DOMMAGES INDIRECTS (INCLUANT, MAIS NE SE LIMITANT PAS AUX PERTES DE PROFITS) CONSÉCUTIFS À LA VENTE OU L'USAGE DE CE PRODUIT. CERTAINS ÉTATS AMÉRICAINS ET CERTAINES PROVINCES CANADIENNES N'ADMETTANT PAS LE PRINCIPE DE LA LIMITATION NI L'EXCLUSION DES DOMMAGES INDIRECTS ET CONSÉQUENTIELS, IL EST POSSIBLE QUE LES LIMITATIONS OU EXCLUSIONS CI-DESSUS NE S'APPLIQUENT PAS À VOTRE CAS.

LA PRÉSENTE GARANTIE VOUS ACCORDE DES DROITS BIEN DÉTERMINÉS, Y COMPRIS POSSIBLEMENT CERTAINS DROITS VARIABLES DANS LES DIFFÉRENTS ÉTATS AMÉRICAINS, PROVINCES CANADIENNE ET DE PAYS À PAYS.

CETTE GARANTIE LIMITÉE NE S'APPLIQUE QU'ÀUX OUTILS ÉLECTRIQUES PORTATIFS ET D'ÉTABLI VENDUS AUX ÉTATS-UNIS D'AMÉRIQUE, AU CANADA ET AU COMMONWEALTH DE PORTO RICO. POUR COUVERTURE DE GARANTIE DANS LES AUTRES PAYS, CONTACTEZ VOTRE IMPORTATEUR OU REVENDEUR BOSCH LOCAL.

GARANTIA LIMITADA PARA HERRAMIENTAS MECANICAS PORTATILES Y PARA TABLERO DE BANCO BOSCH

Robert Bosch Tool Corporation ("el Vendedor") garantiza, únicamente al comprador original, que todas las herramientas mecánicas portátiles y para tablero de banco BOSCH estarán libres de defectos de material o de fabricación durante un período de un año a partir de la fecha de compra. LA ÚNICA OBLIGACION DEL VENDEADOR Y EL RECURSO EXCLUSIVO QUE USTED TIENE bajo esta Garantía Limitada y, hasta donde la ley lo permita, bajo cualquier garantía o condición implícita por ley, consistirá en la reparación o sustitución sin costo de las piezas que presenten defectos de material o de fabricación y que no hayan sido utilizadas incorrectamente, manejadas descuidadamente o reparadas incorrectamente por personas que no sean el Vendedor o una Estación de servicio autorizada. Para efectuar una reclamación bajo esta Garantía Limitada, usted debe devolver el producto, que consiste en la herramienta mecánica portátil o para tablero de banco completa, con el transporte pagado, a cualquier Centro de servicio de fábrica o Estación de servicio autorizada. Para Estaciones de servicio autorizadas de herramientas mecánicas BOSCH, por favor, consulte el directorio telefónico.

ESTA GARANTIA LIMITADA NO SE APLICA A ARTICULOS ACCESORIOS TALES COMO HOJAS PARA SIERRAS CIRCULARES, BROCAS PARA TALADROS, BROCAS PARA FRESADORAS, HOJAS PARA SIERRAS DE VAIVEN, CORREAS PARA LIJAR, RUEDAS DE AMOLAR Y OTROS ARTICULOS RELACIONADOS.

TODAS LAS GARANTIAS IMPLICITAS TENDRAN UNA DURACION LIMITADA A UN AÑO A PARTIR DE LA FECHA DE COMPRA. ALGUNOS ESTADOS DE LOS EE.UU. Y ALGUNAS PROVINCIAS CANADIENSES NO PERMITEN LIMITACIONES EN CUANTO A LA DURACION DE UNA GARANTIA IMPLICITA, POR LO QUE ES POSIBLE QUE LA LIMITACION ANTERIOR NO SEA APLICABLE EN EL CASO DE USTED.

EL VENDEADOR NO SERA RESPONSABLE EN NINGUN CASO DE NINGUN DAÑO INCIDENTAL O EMERGENTE (INCLUYENDO PERO NO LIMITADO A RESPONSABILIDAD POR PERDIDA DE BENEFICIOS) QUE SE PRODUZCA COMO CONSECUENCIA DE LA VENTA O UTILIZACION DE ESTE PRODUCTO. ALGUNOS ESTADOS DE LOS EE.UU. Y ALGUNAS PROVINCIAS CANADIENSES NO PERMITEN LA EXCLUSION O LIMITACION DE LOS DAÑOS INCIDENTALES O EMERGENTES, POR LO QUE ES POSIBLE QUE LA LIMITACION O EXCLUSION ANTERIOR NO SEA APLICABLE EN EL CASO DE USTED.

ESTA GARANTIA LIMITADA LE CONFIERE A USTED DERECHOS LEGALES ESPECIFICOS Y ES POSIBLE QUE USTED TAMBIEN TENGA OTROS DERECHOS QUE VARIAN DE ESTADO A ESTADO EN LOS EE.UU., DE PROVINCIA A PROVINCIA EN CANADA Y DE UN PAIS A OTRO.

ESTA GARANTIA LIMITADA SE APLICA SOLAMENTE A HERRAMIENTAS ELECTRICAS PORTATILES Y PARA TABLERO DE BANCO VENDIDAS EN LOS ESTADOS UNIDOS DE AMERICA, CANADA Y EL ESTADO LIBRE ASOCIADO DE PUERTO RICO. PARA COBERTURA DE GARANTIA EN OTROS PAISES, PONGASE EN CONTACTO CON SU DISTRIBUIDOR O IMPORTADOR LOCAL DE BOSCH.

© Robert Bosch Tool Corporation 1800 W. Central Road Mt. Prospect, IL 60056-2230

Exportado por: Robert Bosch Tool Corporation Mt. Prospect, IL 60056-2230, E.U.A.

Importado a México por: Robert Bosch, S.A. de C.V., Calle Robert Bosch No. 405, Zona Industrial, Toluca, Edo. de México, C.P. 50070, Tel. (722) 2792300

2610032842 04/14



2 6 1 0 0 3 2 8 4 2

