

Max Electric Winch-Hoist **AC36B**

MAX SERIES

Features

- **3,000-lb single-line or 6,000-lb double-line lift**
- Trifecta system 115 Volt brake motor with triple brake system for instant stopping
- Worm gear reduction for positive load holding
- Compact, heavy-duty construction
- Low voltage 10' pendant control
- Full power reversible
- Cable tensioner for better cable tracking

Applications

All My-te winches and hoists are designed for material handling usage only.

Heavy-duty lifting

Ideal for in-plant use

Moving equipment

Lifting motors and heavy apparatus

Installation of elevator equipment



Construction Features:

- Heavy-duty base drilled for six 1/2" bolts (9/16" mounting holes) with no welding required
- Fully sealed aluminum housings, with precision-cut gears, run in an oil bath
- First reduction combines spur gears with hardened steel worm and forged bronze worm gear system. Holds load in position when stopped.
- Second reduction uses hardened heavy-duty spur gears
- Gear guard encloses external gear reduction
- Frictionless bearings
- 1430:1 double reduction

Power:

- Universal 18,500 RPM reversible 1.25 HP brake motor (no-load speed)
- 15' power cord plugs into any 115 Volt AC grounded outlet
- 6 amp – No load
- 14 amp – Full load

Lifting Capacity:

- 3,000 lbs – 1-2 layers of cable (54' of 5/16" cable)
- 2,650 lbs – 3 layers of cable (100' of 5/16" cable)
- 2,150 lbs – full drum of cable (160' of 5/16" cable)

Pulling Capacity–Rolling Load:

My-te winch-hoists are rated at the vertical lifting capacity. The chart below represents the weight of a rolling load that may be pulled up a given incline. This chart is for reference only. All capacities are reduced to allow for nominal friction factors.

Incline	Max Load Weight (lbs.)
• 0% – (0°)	75,000
• 10% – (6°)	24,000
• 20% – (11°)	12,200
• 40% – (22°)	6,400
• 60% – (31°)	4,600
• 80% – (39°)	3,800
• 100% – (45°)	3,300

Speeds:

- 11 RPM: No-load drum speed
- 11 FPM: No-load drum speed
- 9 FPM: 1,000 lbs – single-line lift
- 7.25 FPM: 3,000 lbs – single-line lift
- 3.5 FPM: 6,000 lbs – double-line lift

Note: All speeds are based on one layer of cable on drum.

Drum Storage:

- 1/4" – 250'
- 5/16" – 160'
- 3/8" – 110'

For best results, use the minimum amount of cable required for application. Maintain four wraps of cable on the drum at all times. Cable sold separately. Length and size must be specified at time of order.

Cable Strength:

- 5-1 recommended safety factor
- Top-quality galvanized cable available in the following breaking strengths:
 - 1/4" – 7,000 lbs
 - 5/16" – 9,800 lbs
 - 3/8" – 14,400 lbs

Duty Cycle:

- 25% – 15 min/hr when operating at full load

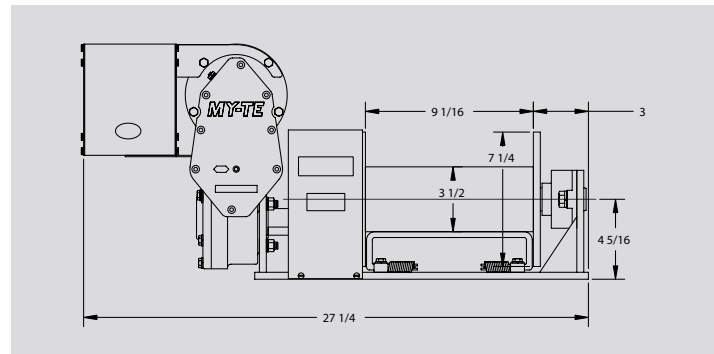
Shipping Weight: 132 lbs

Factory-Installed Options:

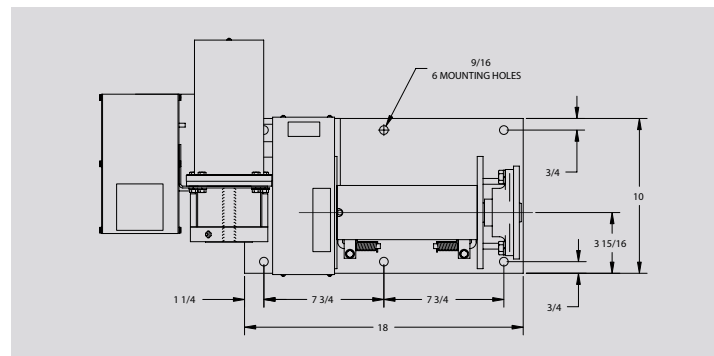
- 208 Volt
- Clutch
- Upside-down mounting
- Model DC48 (12V DC power)
- Divided drum

For custom design and application assistance of a My-te winch-hoist, see your My-te distributor or call My-te Products, Inc. (800) 840-9880. Visit us at www.myte.com

FRONT VIEW



TOP VIEW



SIDE VIEW

