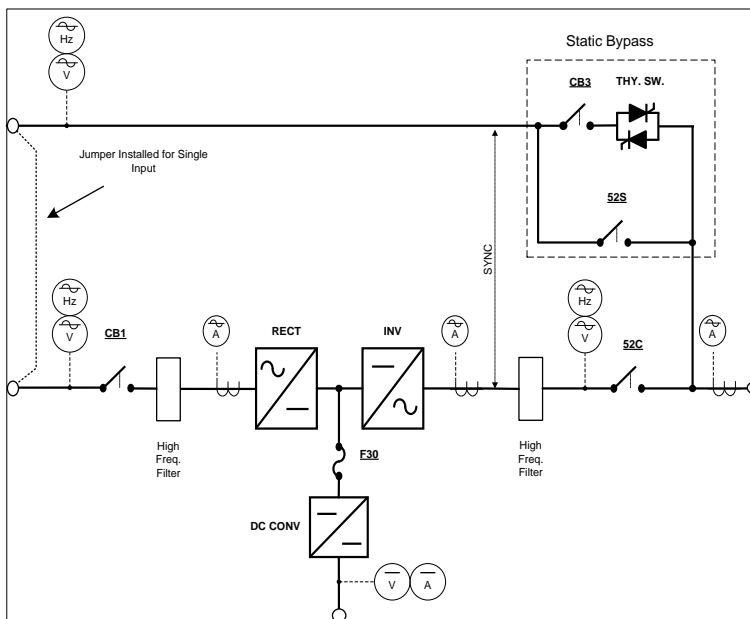


**225 kVA**



**Features at-a-glance**

- |  |  |  |
|--|--|--|
| <ul style="list-style-type: none"> <li>• Single/Parallel in one box for modular design</li> <li>• Parallel up to four units</li> <li>• Redundant Circuitry in each UPS for reliability</li> <li>• True Online, Double-Conversion Technology</li> <li>• Dual Input Design (Alternate Input for bypass)</li> <li>• Hybrid Static Bypass Switch                     <ul style="list-style-type: none"> <li>- Thyristor + Contactor for highest reliability</li> </ul> </li> </ul> | <ul style="list-style-type: none"> <li>• LCD Touch screen Graphic Display</li> <li>• IGBT Inverter – Next Generation Technology</li> <li>• All Digital Signal Processor (DSP) software logic using 12 bit processor</li> <li>• Front Access for Installation and Maintenance.</li> <li>• Bottom or Side Access for Power cables</li> </ul> | <ul style="list-style-type: none"> <li>• Battery Temperature Compensation</li> <li>• Generator Compatible 1.1:1</li> <li>• Monitoring Options                     <ul style="list-style-type: none"> <li>- RemotEye (SNMP/Web)</li> <li>- MODBUS, BACnet, Metasys adapters</li> <li>- Memory Card w/software</li> <li>- Programmable Dry Contacts</li> </ul> </li> </ul> |
|--|--|--|

**G9000 225 kVA UPS Specifications**

<p><b>Input Specifications</b></p> <p>Voltage range: 480V, 3Φ, 3W          Voltage Range: +15% -20%          Frequency range: 60Hz, +/- 10%          Power factor: &gt;0.99          Input current THD: less than 3% at 100% load          Surge protection: Up to 5kA/10kV; Meets EN61643-11</p>	<p><b>Output Specifications: 225 kVA/202.5 kW (0.9PF)</b></p> <p>Voltage: 480V, 3Φ, 3W          Voltage regulation: +/- 1%          Freq. regulation: +/- 0.01% (Free running)          Transient response: +/-2% at 100% load step (recovery in less than 20 ms)</p> <p>Voltage Distortion:          Less than 2% for 100% linear load          Less than 5% for 100% non-linear load</p> <p>Freq. sync range: +/- 1% to +/- 5.0% (in 1% increments)          Freq. slew rate: 1 Hz/s to 5 Hz/s (in 1 Hz/s increments)          Voltage adjustment: +/-5% (user selectable)          Overload capacity: 150% for 1 minute          125% for 2 minutes</p>
<p><b>Battery Specifications</b></p> <p>Cabinets or Racks with DC Breaker          Battery type: Sealed Valve Regulated Lead-Acid (VRLA) or Flooded Batteries          Recharge time: 10 x discharge time to 95% capacity          DC Link: 480VDC Nominal</p>	

# TOSHIBA

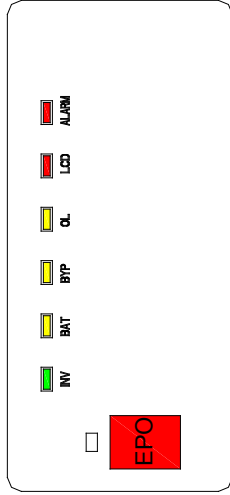
Leading Innovation >>>

## G9000 225 kVA UPS Specifications (cont.)

<b>Bypass Specifications</b> Voltage: 480V, 3Φ, 3W Overload capacity: 500% for 1 cycle	<b>Standards</b> UL/CUL 1778 Listed ISO 9001, ISO 14001 ANSI C62.41 (IEEE 587) All cabinets provide for seismic zone 4 mounting FCC Class A, Article 47, Part 15B
<b>Environmental Specifications</b> Ambient temperature: 0C to +40C Relative humidity: 5%-95% Non-Condensing Altitude: 0 to 7380 feet without derating Audible noise: Less than 70 dBA at 1 meter	<b>Options</b> Toshiba Distribution Cabinet (TDC): MBS and distribution in one line-up-and-match cabinet Slim Matching Maintenance Bypass Cabinet RemotEye™ Network Adapter MODBUS/BACnet/Metasys Adapter Extended Warranty and Maintenance Agreements (Contact Factory for Details)

### Model # : T90S3S22KS6XSN2

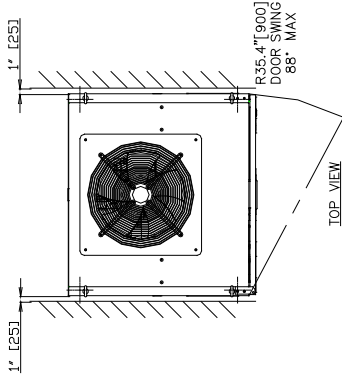
Input			Output		
Input Voltage	Volts	480	Output Voltage	Volts	480
Input Voltage Range	+15% to -20%		Frequency	Hz	60
Minimum	Volts	384	AC Output Current		
Maximum	Volts	552	Nominal Amps	Amps	271
Frequency	Hz	60	2 Minutes Max.	Amps	339
AC Input Current			DC Link		
Nominal Amps	Amps	254	Float Voltage	Volts	545
Maximum Amps	Amps	286	End of Discharge	Volts	400
Bypass			Charger	Amps	56
Bypass Input	Volts	480	Environmental		
Nominal Amps	Amps	271	Efficiency	%	96.8
1 Cycle Max.	Amps	1355	Full Load Heat Dissipation		
			kBTU/Hr.		22.8
			kW Loss		6.69



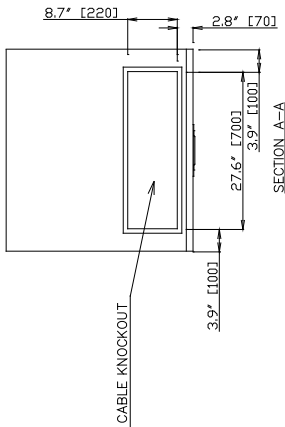
DETAIL "A"

NOTES

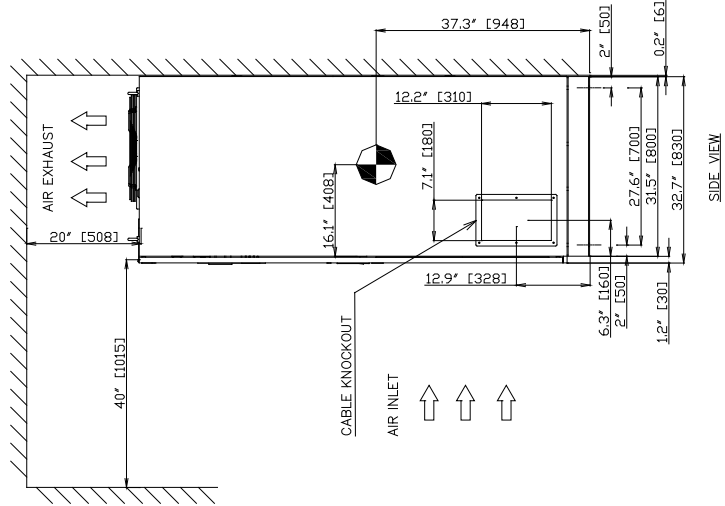
1. DIMENSIONS ARE SHOWN IN INCHES (MILLIMETERS IN BRACKETS[ ]).
2. SIDE CLEARANCE OF 1" [25] IS NOT REQUIRED WITH CABINETS INSTALLED SIDE-BY-SIDE.
3. CABINET SHOULD BE MAINTAINED UPRIGHT WITHIN ±15° DURING MOVING.



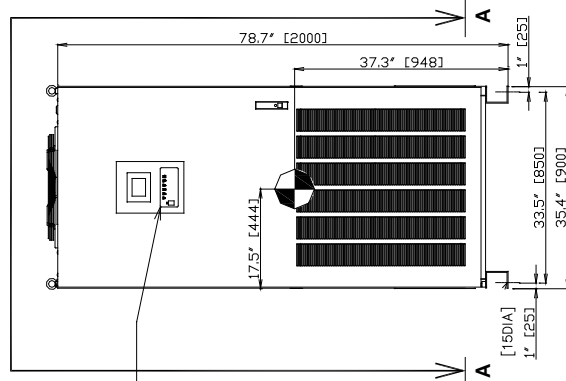
TOP VIEW



SECTION A-A



SIDE VIEW



FRONT VIEW

TYPE	: T90S3S22KS6XSN
RATING	: 225kVA-3P3W-480V-60HZ
APPROX. WEIGHT	: 1,230LBS (558kg)
HEAT REJECTION	: 25.1 MBTU <sub>s</sub> /hour