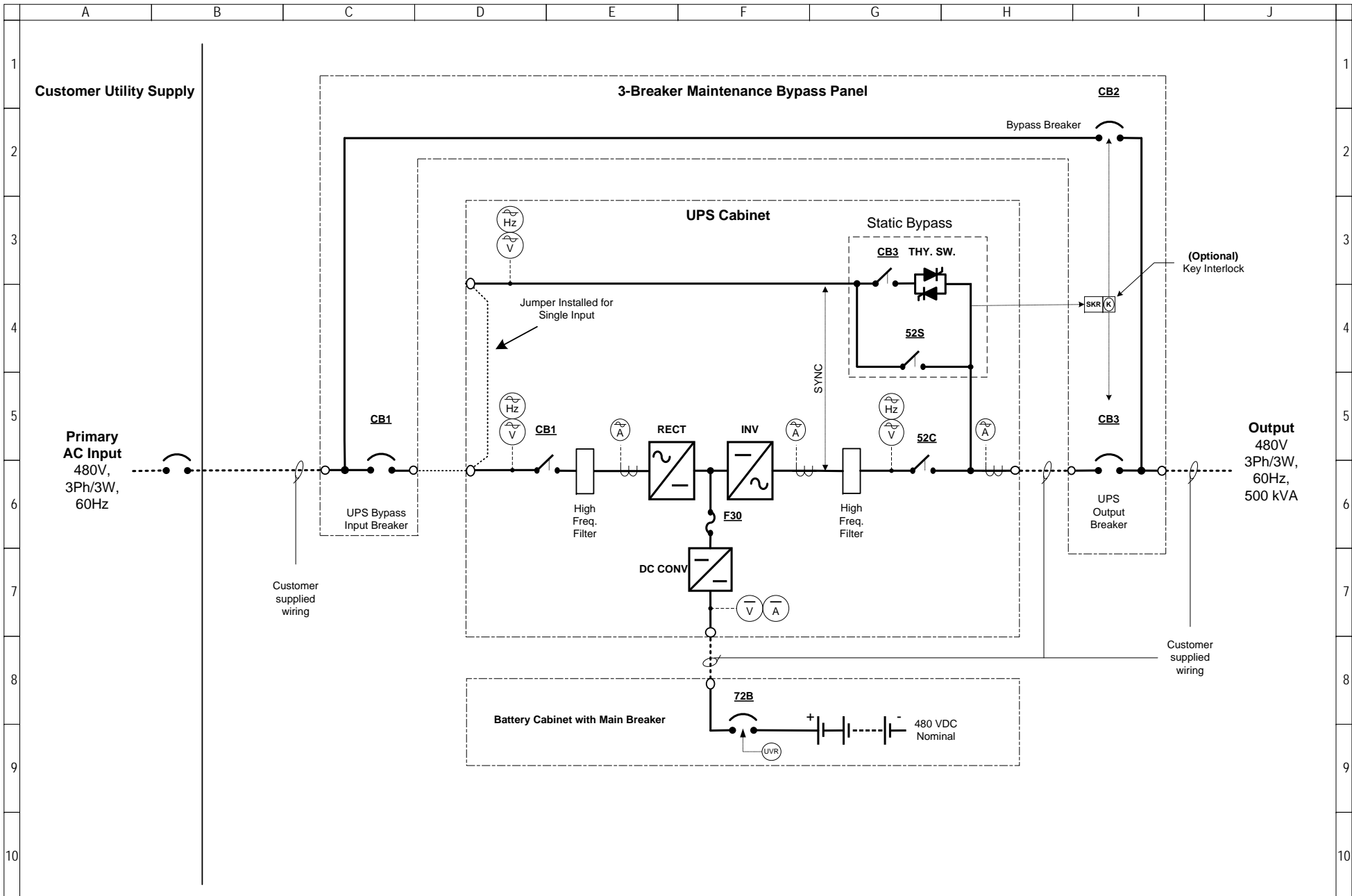
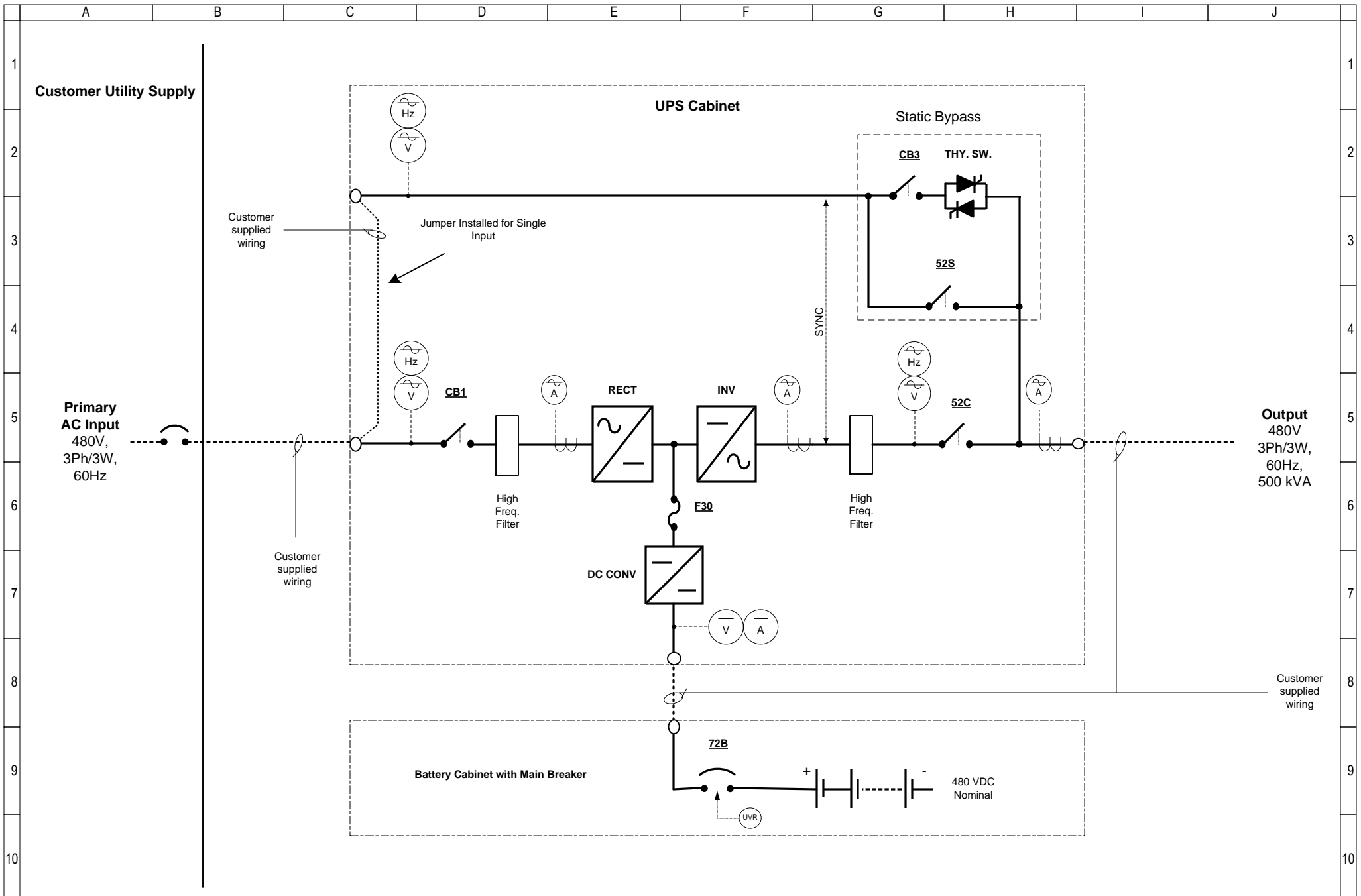


<p>NOTES</p> <p>1) This drawing is for illustration purposes only and is subject to change without notice. TIC is not responsible for any errors or omissions.</p>	<p>Drawn by EKM Date 2/24/10 Approved by</p>	<p>TOSHIBA INTERNATIONAL CORPORATION Houston Texas, USA</p> <p>THIS MATERIAL IS THE EXCLUSIVE PROPERTY OF TOSHIBA INTERNATIONAL CORPORATION AND SHALL NOT BE REPRODUCED, USED, OR DISCLOSED TO OTHERS UNLESS PRIOR WRITTEN AUTHORIZATION IS OBTAINED.</p>	<p>TITLE One-Line Diagram 500 kVA G9000 Series UPS 480V Dual Input, 480V Output, with External 3-Breaker Bypass Panel</p> <p>DRAWING NO. T90S3S50K6XS6-E3-DI</p> <p>REV. 0.0</p>
---	--	--	--



<p>NOTES</p> <p>1) This drawing is for illustration purposes only and is subject to change without notice. TIC is not responsible for any errors or omissions.</p>	<p>Drawn by EKM Date 2/24/10 Approved by</p>	<p align="center">TOSHIBA INTERNATIONAL CORPORATION Houston Texas, USA</p> <p align="center">THIS MATERIAL IS THE EXCLUSIVE PROPERTY OF TOSHIBA INTERNATIONAL CORPORATION AND SHALL NOT BE REPRODUCED, USED, OR DISCLOSED TO OTHERS UNLESS PRIOR WRITTEN AUTHORIZATION IS OBTAINED.</p>	<p>TITLE</p> <p align="center">One-Line Diagram 500 kVA G9000 Series UPS 480V Single Input, 480V Output, with External 3-Breaker Bypass Panel</p> <p>DRAWING NO. T90S3S50KS6XSN-E3-SI</p> <p>REV. 0.0</p>
---	--	--	---



NOTES

1) This drawing is for illustration purposes only and is subject to change without notice. TIC is not responsible for any errors or omissions.

Drawn by
EKM
Date 2/24/10
Approved by

TOSHIBA

INTERNATIONAL CORPORATION
Houston Texas, USA

THIS MATERIAL IS THE EXCLUSIVE PROPERTY OF TOSHIBA INTERNATIONAL CORPORATION AND SHALL NOT BE REPRODUCED, USED, OR DISCLOSED TO OTHERS UNLESS PRIOR WRITTEN AUTHORIZATION IS OBTAINED.

TITLE

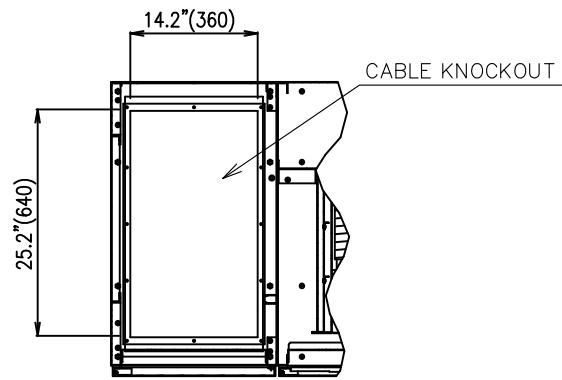
One-Line Diagram
500 kVA **G9000 Series** UPS
480V Single Input, 480V Output

DRAWING NO.

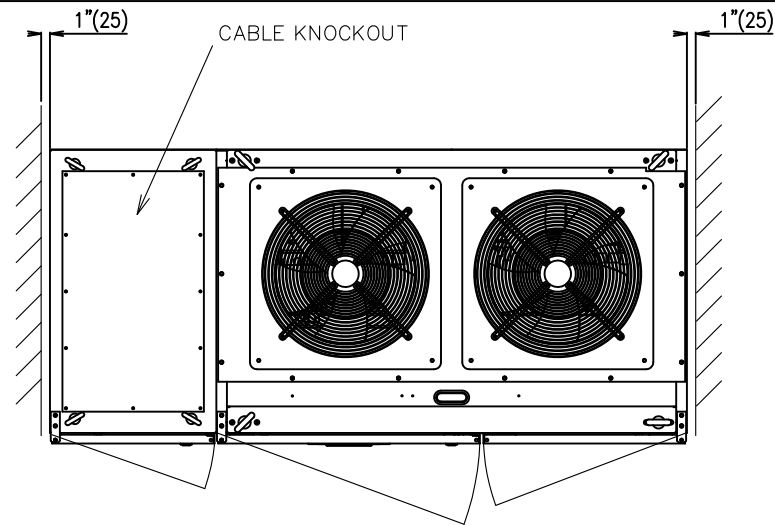
T90S3S50KS6XSN

REV.

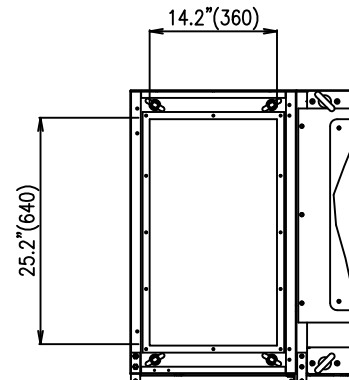
1.0



SECTION A-A
BOTTOM CABLE ENTRY



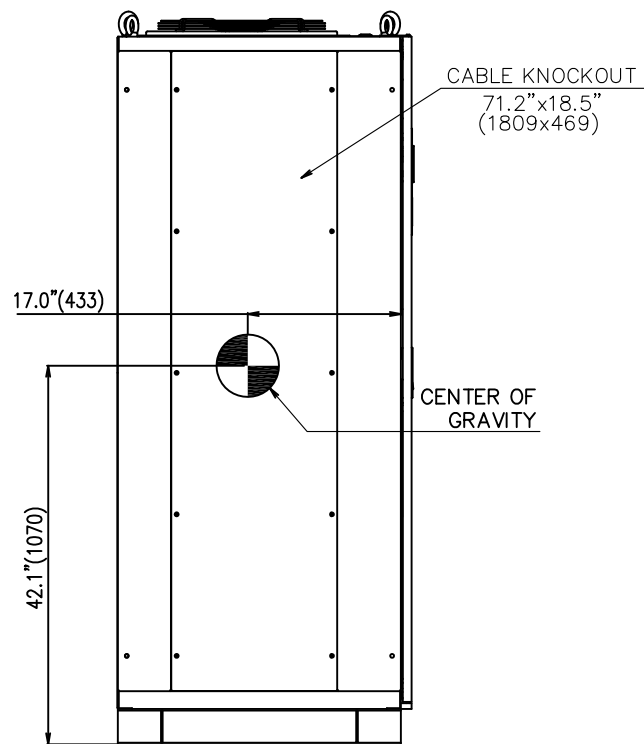
TOP VIEW



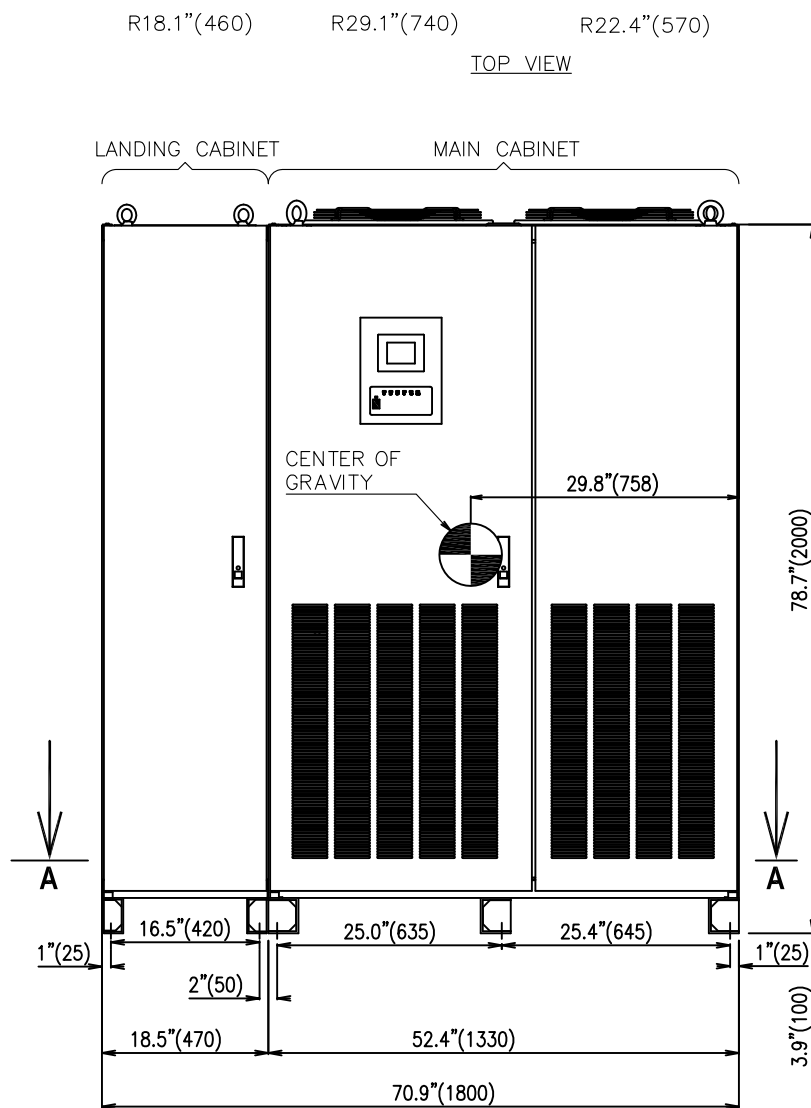
TOP CABLE ENTRY

TYPE : T90S3S50KS6XSN
 RATING : 500kVA-3P3W-480V-60Hz
 APPROX. WEIGHT : 3,300LBS (1500kg)
 HEAT REJECTION : 52.8 kBTUs/hour (TYPICAL)

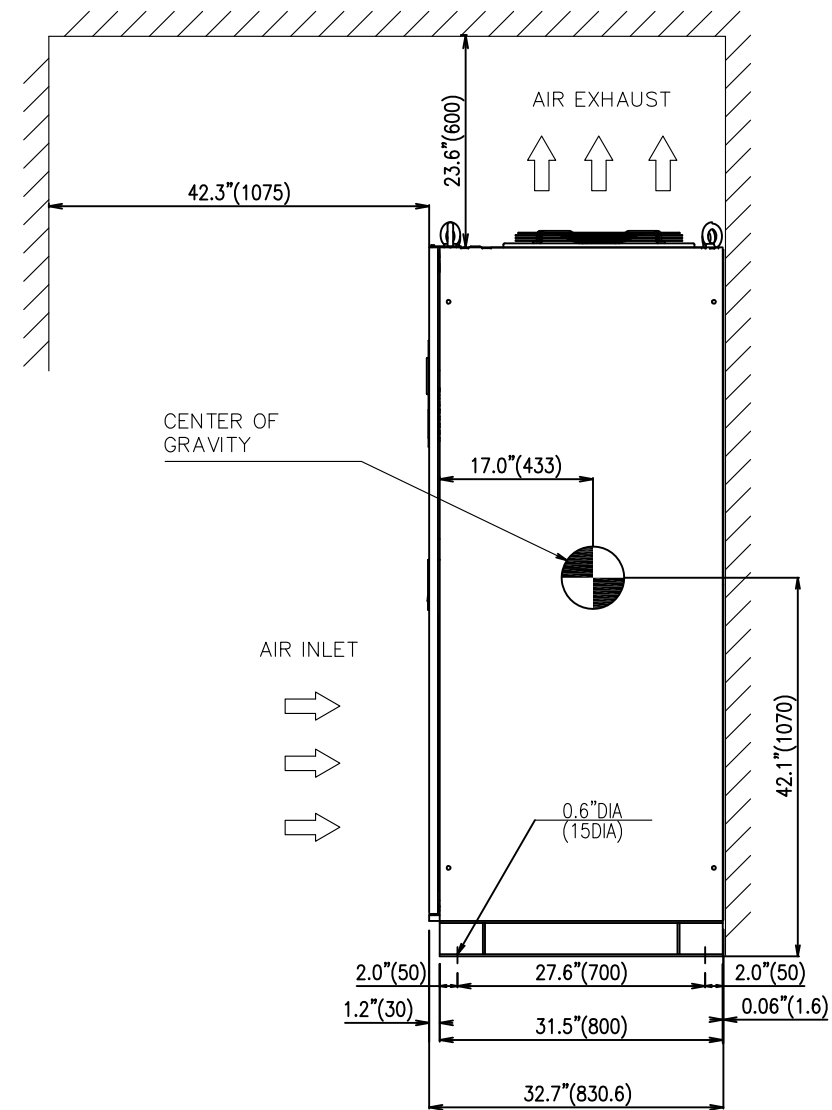
NOTES
 1. DIMENSIONS ARE SHOWN IN INCHES (MILLIMETERS IN PARENTHESIS).
 2. CABINET SHOULD BE MAINTAINED UPRIGHT WITHIN ±15° DURING MOVING.



LEFT SIDE VIEW

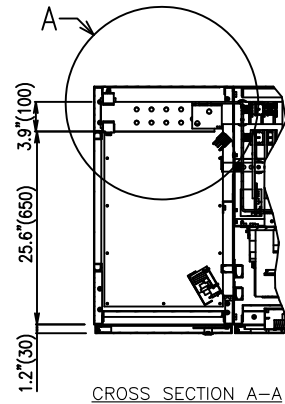


FRONT VIEW



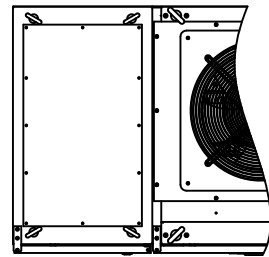
RIGHT SIDE VIEW

FOR QUOTE	QO	JBT	DRAWN BY: JBT	DATE 7/2/10	THIS MATERIAL IS THE EXCLUSIVE PROPERTY OF TOSHIBA INTERNATIONAL CORPORATION AND SHALL NOT BE REPRODUCED, USED OR DISCLOSED TO OTHERS UNLESS PRIOR WRITTEN AUTHORIZATION IS OBTAINED.	TITLE: G9000 500kVA UPS OUTLINE & INSTALLATION DIAGRAM	SCALE NTS	ORDER NO.
			CHECKED BY	DATE			DRAWING NO. 50441C10079JBT-MKTG	
			APPROVED BY	DATE				
TOSHIBA INTERNATIONAL CORPORATION						13131 WEST LITTLE YORK ROAD, HOUSTON, TX, 77041 U.S.A.		SH. 1 OF 2

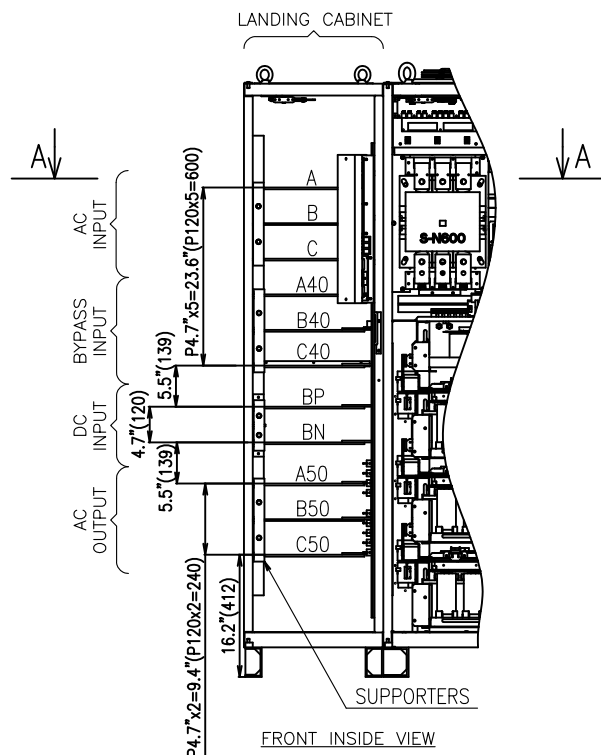


CROSS SECTION A-A

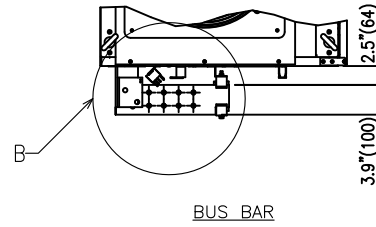
LANDING CABINET



TOP VIEW



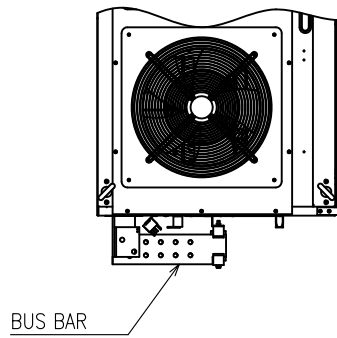
FRONT INSIDE VIEW



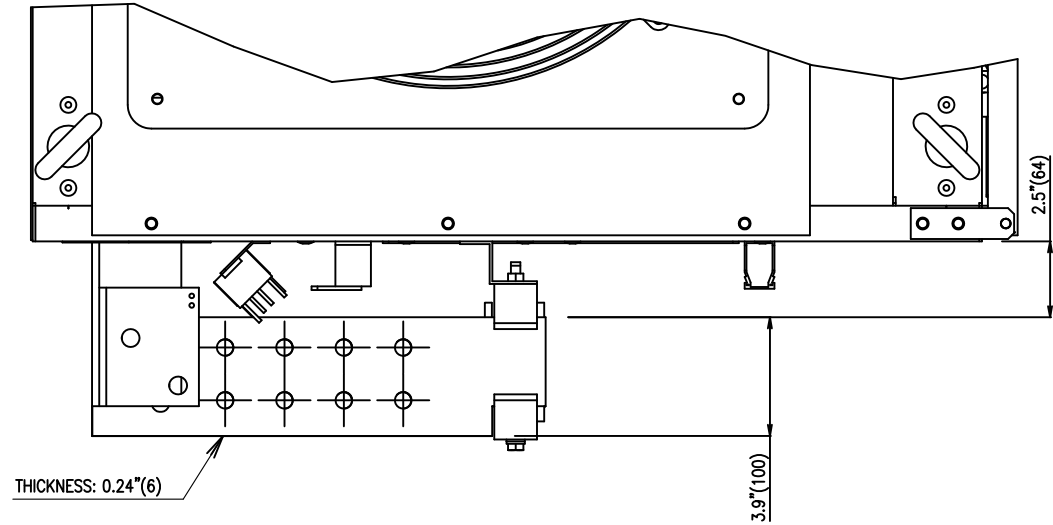
BUS BAR

NOTES

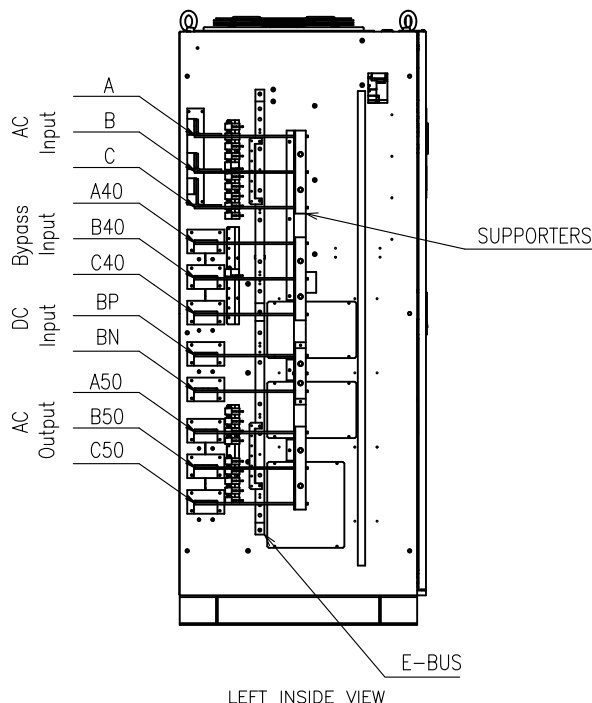
3. CABLES FOR AC INPUT, DC INPUT, BYPASS INPUT, AND AC OUTPUT PROVIDED BY OTHERS.
4. PHASE ROTATION IS A-B-C CLOCKWISE.
5. BUS BARS MAY BE ORIENTED L-R (FRONT INSIDE VIEW, CROSS SECTION Y-Y & DETAIL "A") OR FRONT-REAR (LEFT INSIDE VIEW, CROSS SECTION Z-Z & DETAIL "B")



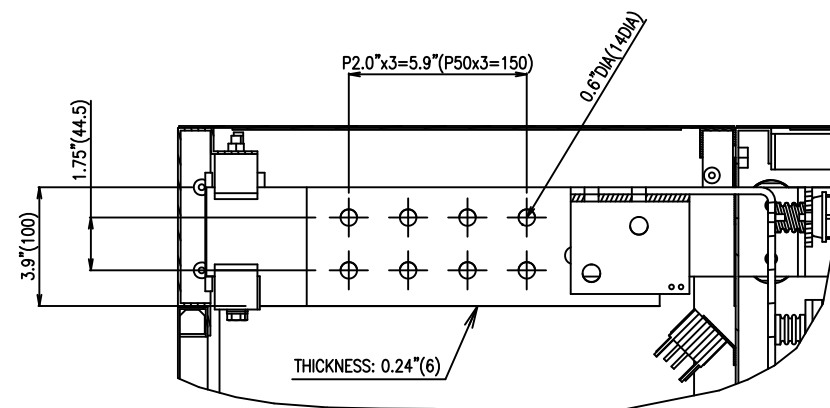
BUS BAR



DETAIL B (SCALE 1:5)



LEFT INSIDE VIEW



DETAIL A (SCALE 1:5)

FOR QUOTE	Q0	JBT	DRAWN BY: JBT	DATE 7/13/10
			CHECKED BY	DATE
			APPROVED BY	DATE

THIS MATERIAL IS THE EXCLUSIVE PROPERTY OF TOSHIBA INTERNATIONAL CORPORATION AND SHALL NOT BE REPRODUCED, USED OR DISCLOSED TO OTHERS UNLESS PRIOR WRITTEN AUTHORIZATION IS OBTAINED.

TITLE: G9000 500kVA UPS
OUTLINE & INSTALLATION DRAWING

SCALE
NTS

ORDER NO.

DRAWING NO.
50441C10079JBT-MKTG

TOSHIBA INTERNATIONAL CORPORATION
13131 WEST LITTLE YORK ROAD, HOUSTON, TX, 77041 U.S.A.