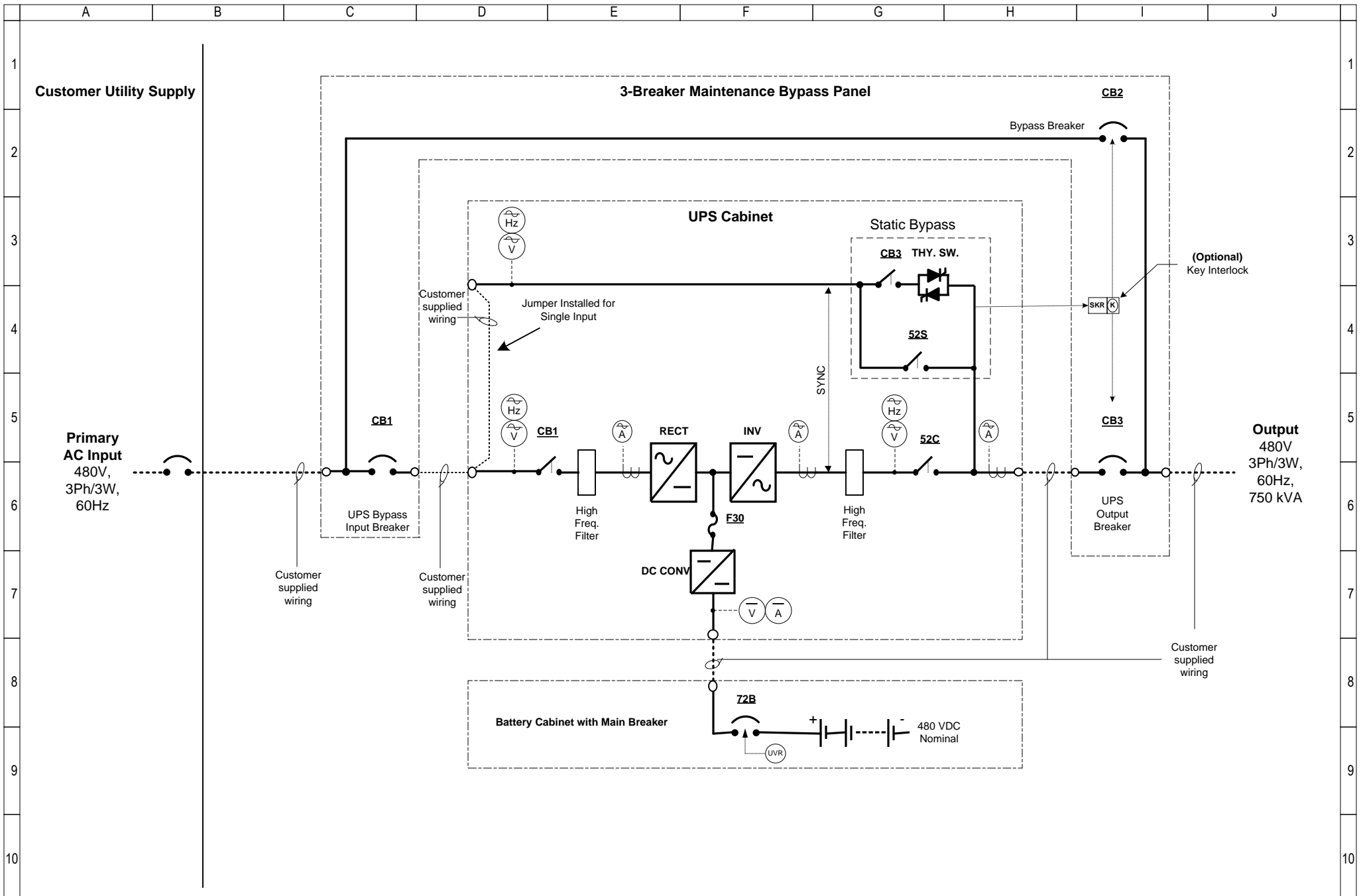


<p>NOTES</p> <p>1) This drawing is for illustration purposes only and is subject to change without notice. TIC is not responsible for any errors or omissions.</p>	<p>Drawn by EKM Date 11/04/08 Approved by</p>	<p style="text-align: center;">TOSHIBA INTERNATIONAL CORPORATION Houston Texas, USA</p> <p style="text-align: center;">THIS MATERIAL IS THE EXCLUSIVE PROPERTY OF TOSHIBA INTERNATIONAL CORPORATION AND SHALL NOT BE REPRODUCED, USED, OR DISCLOSED TO OTHERS UNLESS PRIOR WRITTEN AUTHORIZATION IS OBTAINED.</p>	<p>TITLE</p> <p style="text-align: center;">One-Line Diagram 750 kVA G9000 Series UPS 480V Dual Input, 480V Output, with External 3-Breaker Bypass Panel</p> <table border="1" style="width: 100%;"> <tr> <td data-bbox="1491 1485 1900 1549"> <p>DRAWING NO.</p> <p style="text-align: center;">T90S3S75KS6XSN-E3-DI</p> </td> <td data-bbox="1900 1485 2003 1549"> <p>REV.</p> <p style="text-align: center;">0.0</p> </td> </tr> </table>	<p>DRAWING NO.</p> <p style="text-align: center;">T90S3S75KS6XSN-E3-DI</p>	<p>REV.</p> <p style="text-align: center;">0.0</p>
<p>DRAWING NO.</p> <p style="text-align: center;">T90S3S75KS6XSN-E3-DI</p>	<p>REV.</p> <p style="text-align: center;">0.0</p>				



NOTES

1) This drawing is for illustration purposes only and is subject to change without notice. TIC is not responsible for any errors or omissions.

Drawn by
EKM
Date 11/04/08
Approved by

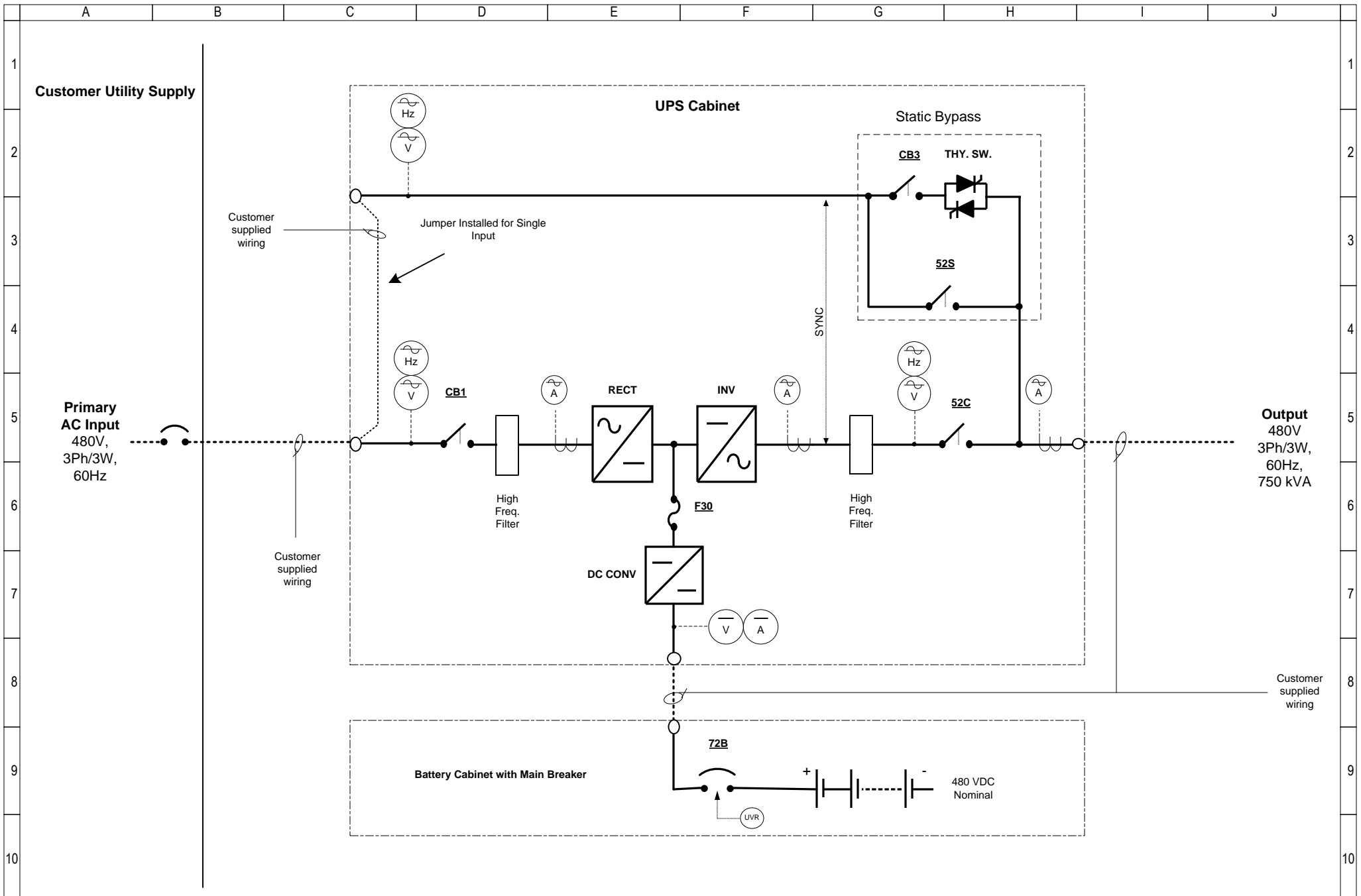
TOSHIBA

INTERNATIONAL CORPORATION
Houston Texas, USA

THIS MATERIAL IS THE EXCLUSIVE PROPERTY OF TOSHIBA INTERNATIONAL CORPORATION AND SHALL NOT BE REPRODUCED, USED, OR DISCLOSED TO OTHERS UNLESS PRIOR WRITTEN AUTHORIZATION IS OBTAINED.

TITLE
One-Line Diagram
750 kVA **G9000 Series** UPS
480V Single Input, 480V Output,
with External 3-Breaker Bypass Panel

DRAWING NO. T90S3S75KS6XSN-E3-SI
REV. 1.0



NOTES

1) This drawing is for illustration purposes only and is subject to change without notice. TIC is not responsible for any errors or omissions.

Drawn by
EKM
Date 11/04/08
Approved by

TOSHIBA

INTERNATIONAL CORPORATION
Houston Texas, USA

THIS MATERIAL IS THE EXCLUSIVE PROPERTY OF TOSHIBA INTERNATIONAL CORPORATION AND SHALL NOT BE REPRODUCED, USED, OR DISCLOSED TO OTHERS UNLESS PRIOR WRITTEN AUTHORIZATION IS OBTAINED.

TITLE

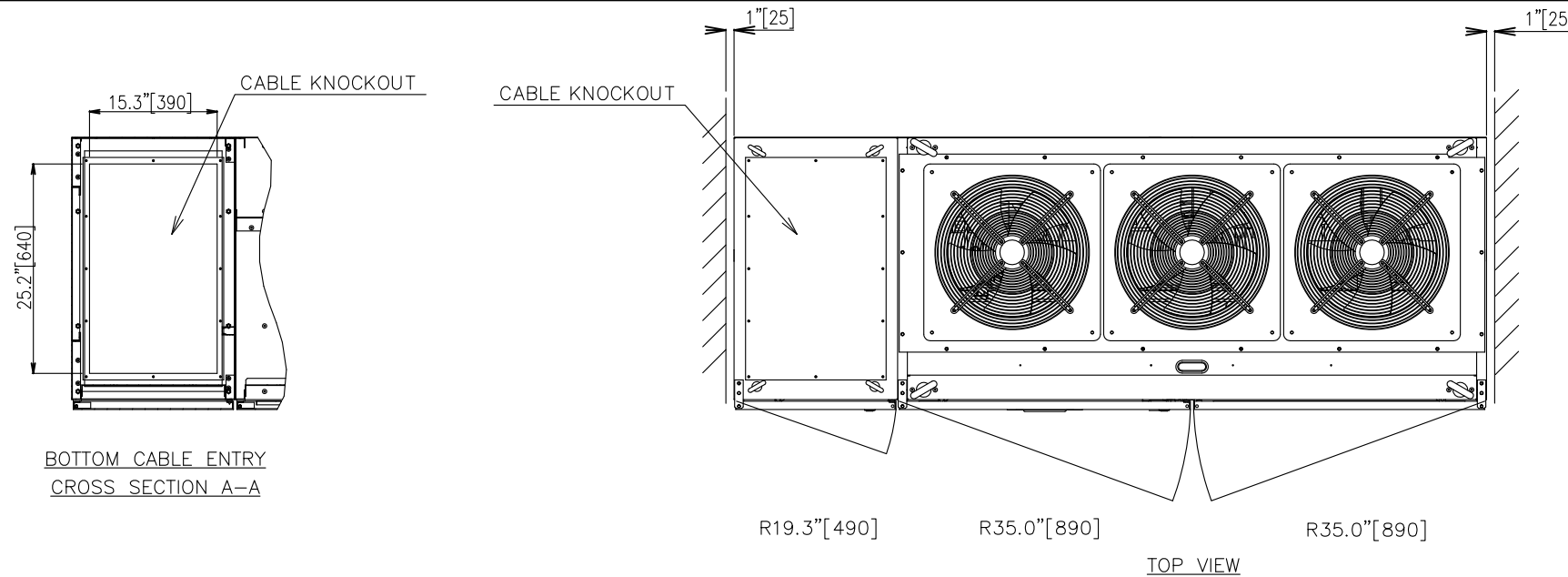
One-Line Diagram
750 kVA G9000 Series UPS
480V Single Input, 480V Output

DRAWING NO.

T90S3S75KS6XSN

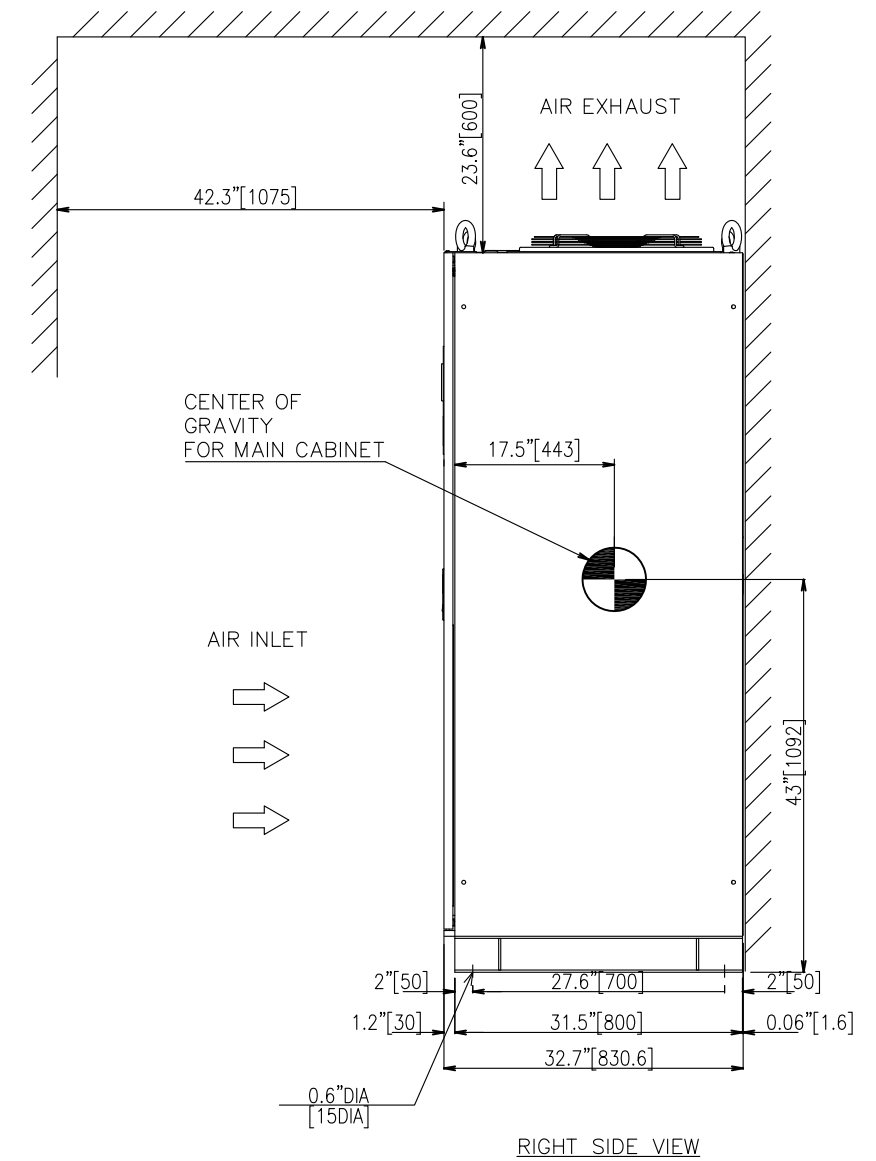
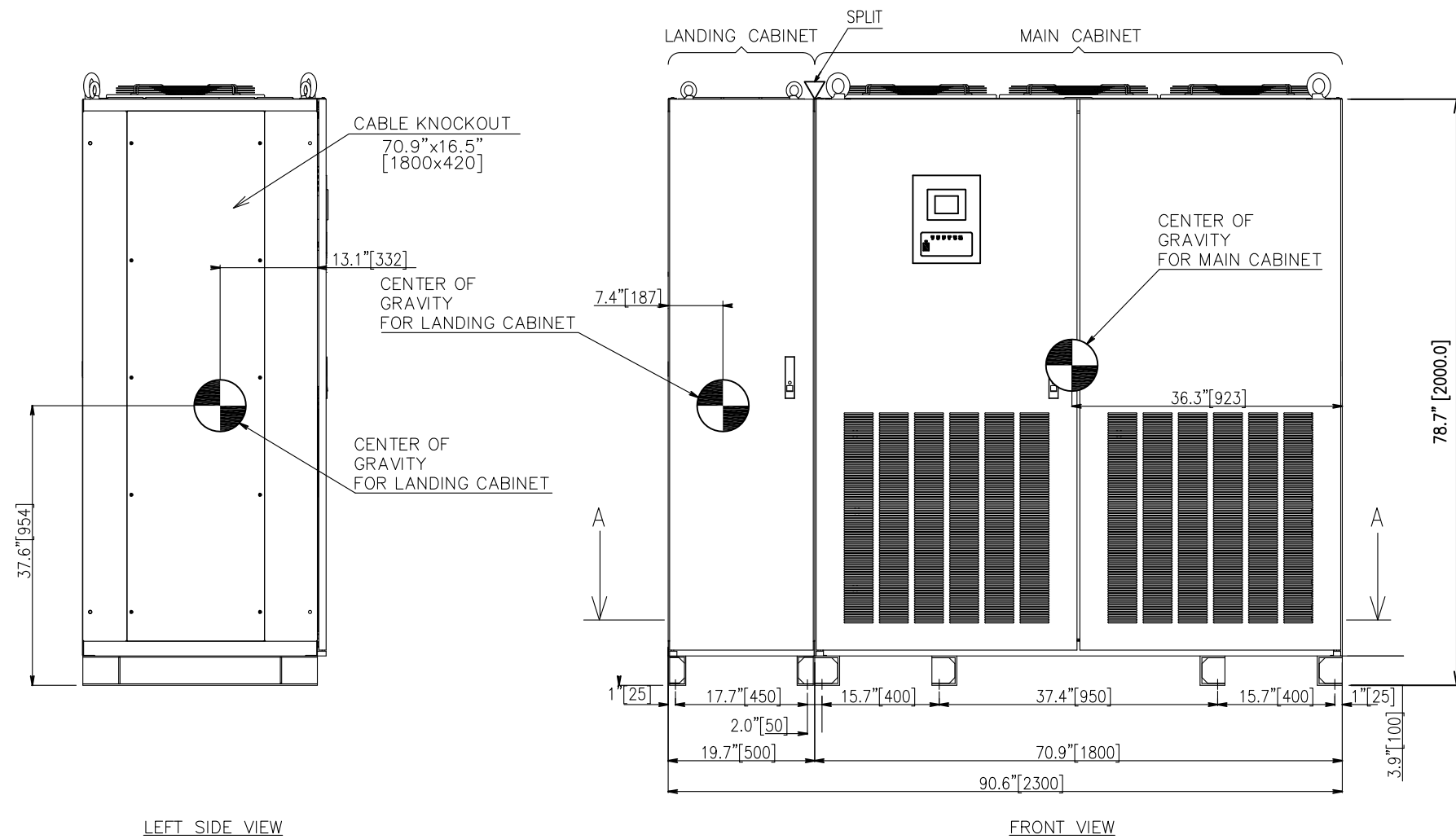
REV.

1.0

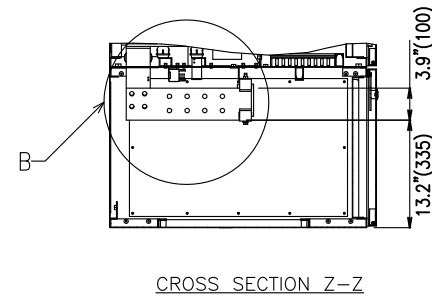
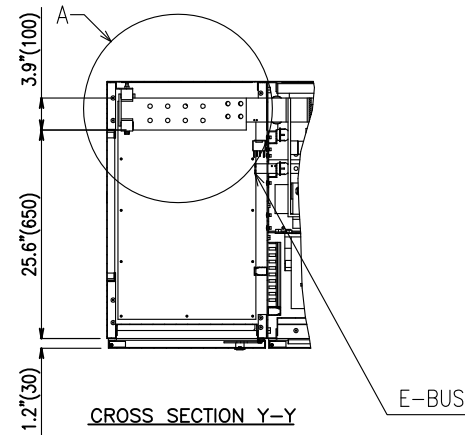


TYPE : T90S3S75KS6XSN
 RATING : 750kVA-3P3W-480V-60Hz
 APPROX. WEIGHT : MAIN CABINET 4,010LBS [1819kg]
 LANDING CABINET 240LBS [109kg]
 HEAT REJECTION : 79.2 kBTUs/hour [TYPICAL]

NOTES
 1. DIMENSIONS ARE SHOWN IN INCHES [MILLIMETERS IN BRACKETS].
 2. CABINET SHOULD BE MAINTAINED UPRIGHT WITHIN ±15° DURING MOVING.

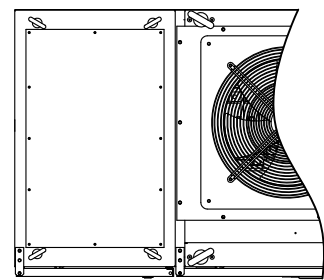


FOR QUOTE	Q0	JBT	DRAWN BY: JBT	DATE 7/2/10	THIS MATERIAL IS THE EXCLUSIVE PROPERTY OF TOSHIBA INTERNATIONAL CORPORATION AND SHALL NOT BE REPRODUCED, USED OR DISCLOSED TO OTHERS UNLESS PRIOR WRITTEN AUTHORIZATION IS OBTAINED.	TITLE: G9000 750kVA UPS OUTLINE & INSTALLATION DIAGRAM	SCALE NTS	ORDER NO.
			CHECKED BY	DATE			DRAWING NO. 75441C10079JBT-MKTG	
			APPROVED BY	DATE				
TOSHIBA INTERNATIONAL CORPORATION 13131 WEST LITTLE YORK ROAD, HOUSTON, TX, 77041 U.S.A.								SH. 1 OF 2

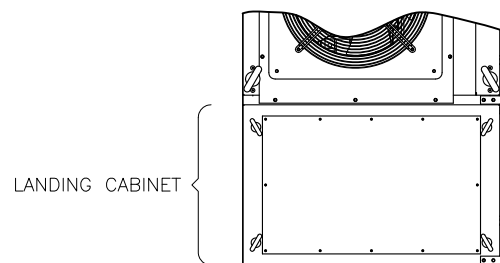


NOTES

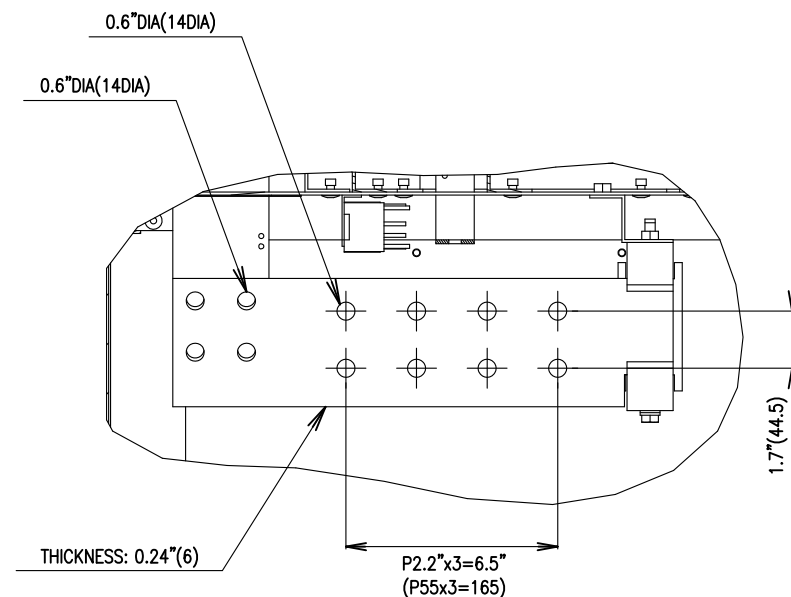
- 3. CABLES FOR AC INPUT, DC INPUT, BYPASS INPUT, AND AC OUTPUT PROVIDED BY OTHERS.
- 4. PHASE ROTATION IS A-B-C CLOCKWISE.
- 5. BUS BARS MAY BE ORIENTED L-R (FRONT INSIDE VIEW, CROSS SECTION Y-Y & DETAIL "A") OR FRONT-REAR (LEFT INSIDE VIEW, CROSS SECTION A-A & DETAIL "B")



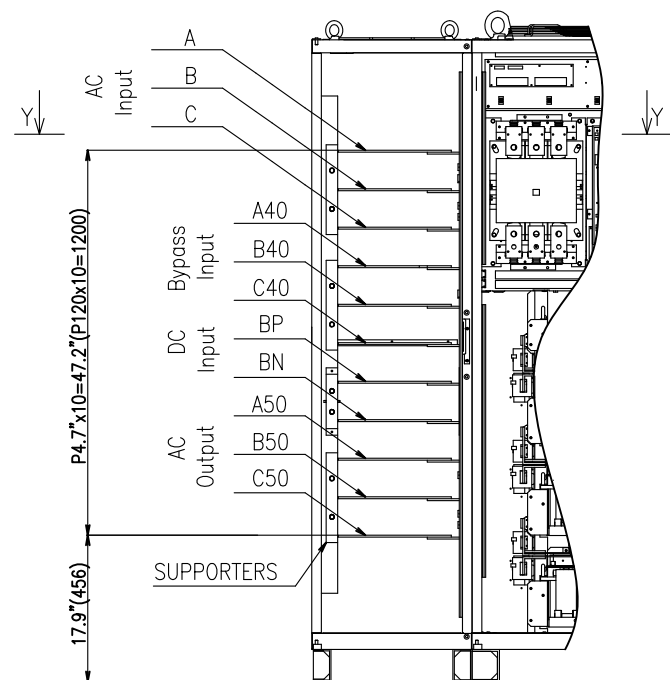
TOP VIEW



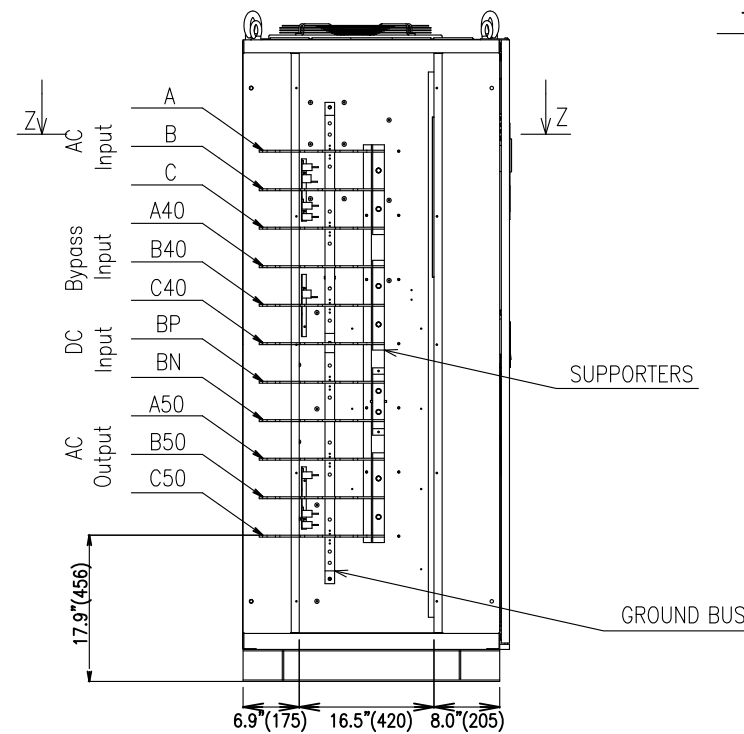
TOP VIEW



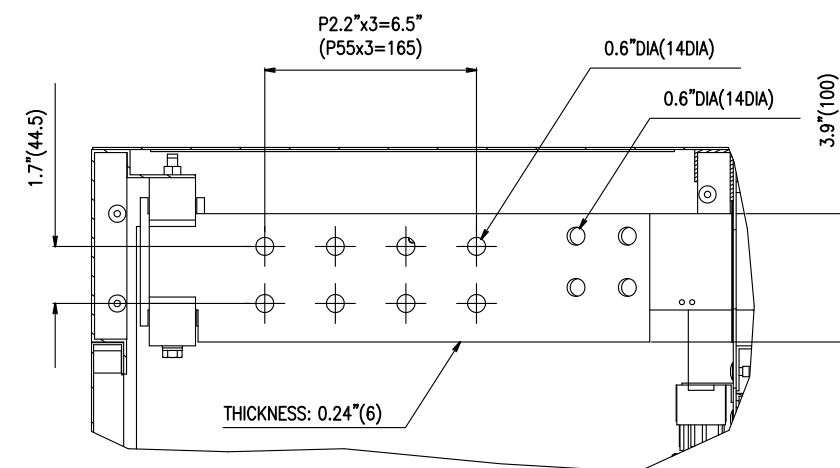
DETAIL B (SCALE 1:5)



FRONT INSIDE VIEW



LEFT INSIDE VIEW



DETAIL A (SCALE 1:5)

FOR QUOTE	Q0	JBT	DRAWN BY: JBT	DATE 7/13/10	THIS MATERIAL IS THE EXCLUSIVE PROPERTY OF TOSHIBA INTERNATIONAL CORPORATION AND SHALL NOT BE REPRODUCED, USED OR DISCLOSED TO OTHERS UNLESS PRIOR WRITTEN AUTHORIZATION IS OBTAINED.	TITLE: G9000 750kVA UPS OUTLINE & INSTALLATION DRAWING	SCALE NTS	ORDER NO.	
			CHECKED BY	DATE			DRAWING NO. 75441C10079JBT-MKTG		
			APPROVED BY	DATE					
TOSHIBA INTERNATIONAL CORPORATION						13131 WEST LITTLE YORK ROAD, HOUSTON, TX, 77041 U.S.A.		SH.2 OF 2	