

Toshiba International Corporation

Uninterruptible Power Systems



1000 Series 3000VA 120V Tower – UT1A1A030C6

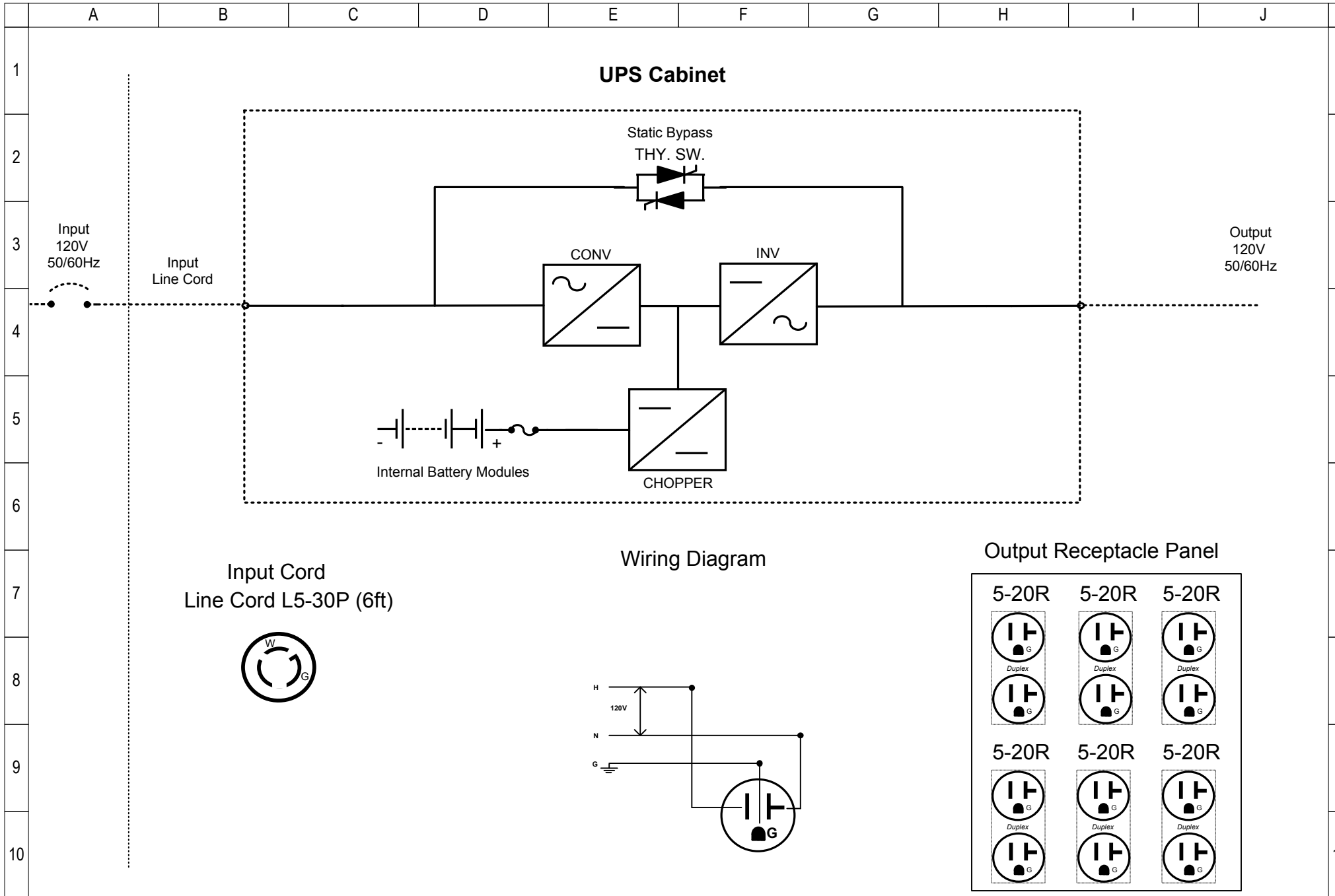
3000VA 120V/120V Tower - The 1000 Series 3000VA debuts with Toshiba's standard stellar capabilities with an additional list of upgraded features. The Overload Capacity and the Input Power Factor are just the beginning. The box has great LCD scroll options and standard Cold Start features.

Product Specifications

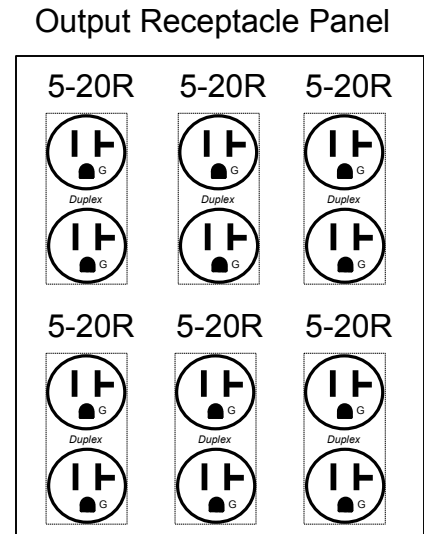
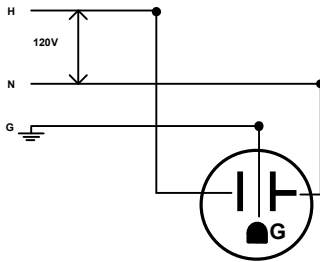
INPUT	Voltage	120Vac
	Voltage Range	80V~144V (+20% to -33%)
	Frequency	50/60 Hz Auto Sensing
	Synchronization window	± 3Hz
	Power Factor	Greater than 0.97
	THD Current	Less than 9% at Full Load
	Topology	True On-Line, Double Conversion, Input PF Correction
OUTPUT	Voltage	100/110/115/120/127Vac
	Capacity (VA)	3000VA
	Capacity (W)	2100W
	Voltage Regulation	+/- 2%
	Voltage Distortion	Less than 5% THD at Full Non-Linear Load. Less than 3% THD at full Linear Load.
	Step Load	± 9 % max from 100% to 20 % or from 20% to 100 % linear load
	Rated Current	25.0A
	Overload Capacity	125% for 1 minute, 150% for 10 seconds
	Crest Factor	3.0 at full load
	Frequency	50/60 Hz Auto Sensing

Toshiba International Corporation Uninterruptible Power Systems

	Frequency Regulation	+/- 0.25Hz
	Wave Form	Sine wave, Zero Transfer Time
	Load Power Factor	0.7
	Efficiency AC to AC	Greater than 86%
BATTERY	DC Voltage	72V / 12 V 9AH x 6
	Backup Time	5 min (full load) 15 min (half load)
	Battery type	Yuasa Flame Retardant Lead Acid 9Ah/12V
	Number of batteries	6
	Recharge time	<4 hours to 90%
PHYSICAL	Interface	RS-232, USB Standard, Option Card Interface, Network Transient Protector, External Battery Connectivity
	Line Cord	L5-30P
	Receptacles	Twelve NEMA 5-20R
	Dimensions W x D x H (inch)	16.7x8.9x 14.2
	Ship Dimensions WxDxH (inch)	21.0x13.3x18.9
	Weight (lb)	72.6
	Ship Weight (lb)	78.0
OPTION	External Matching Battery Cabinet	Single - 20 Mins, Double – 40 Mins. Max Two Cabinets. Part #: UT1-BC-0320
	Remote Contact Card	Part #: UT1-RMT-CONTACT
	Network Interface Card	RemotEye II - Part #: RMTI-INT-R4
	Environmental Monitoring Device	Part #: RMTI-EMD-HT
	Frequency Conversion	Software Package Part # DUM0029
ENVIRONMENT	Operating Ambient Temperature	0 ~ 40°C (32 ~ 104°F)
	Recommended Temperature	+15°C ~ 25°C
	Storage Temperature	-15°C ~ 50°C
	Cooling	Forced Air-Cooling
	Humidity	0-95%, Non-Condensing
	Audible Noise	Less than 45db Normal and Battery Modes
	Altitude	11500 ft (3,500 m) above sea level
CONFORMANCE	Regulatory Approvals	FCC Part 15 Class B, UL 1778, ICES-003
WARRANTY		Three years on electronics
		Two years full replacement on battery (See Toshiba warranty policy for full details)



Input Cord
Line Cord L5-30P (6ft)



NOTES

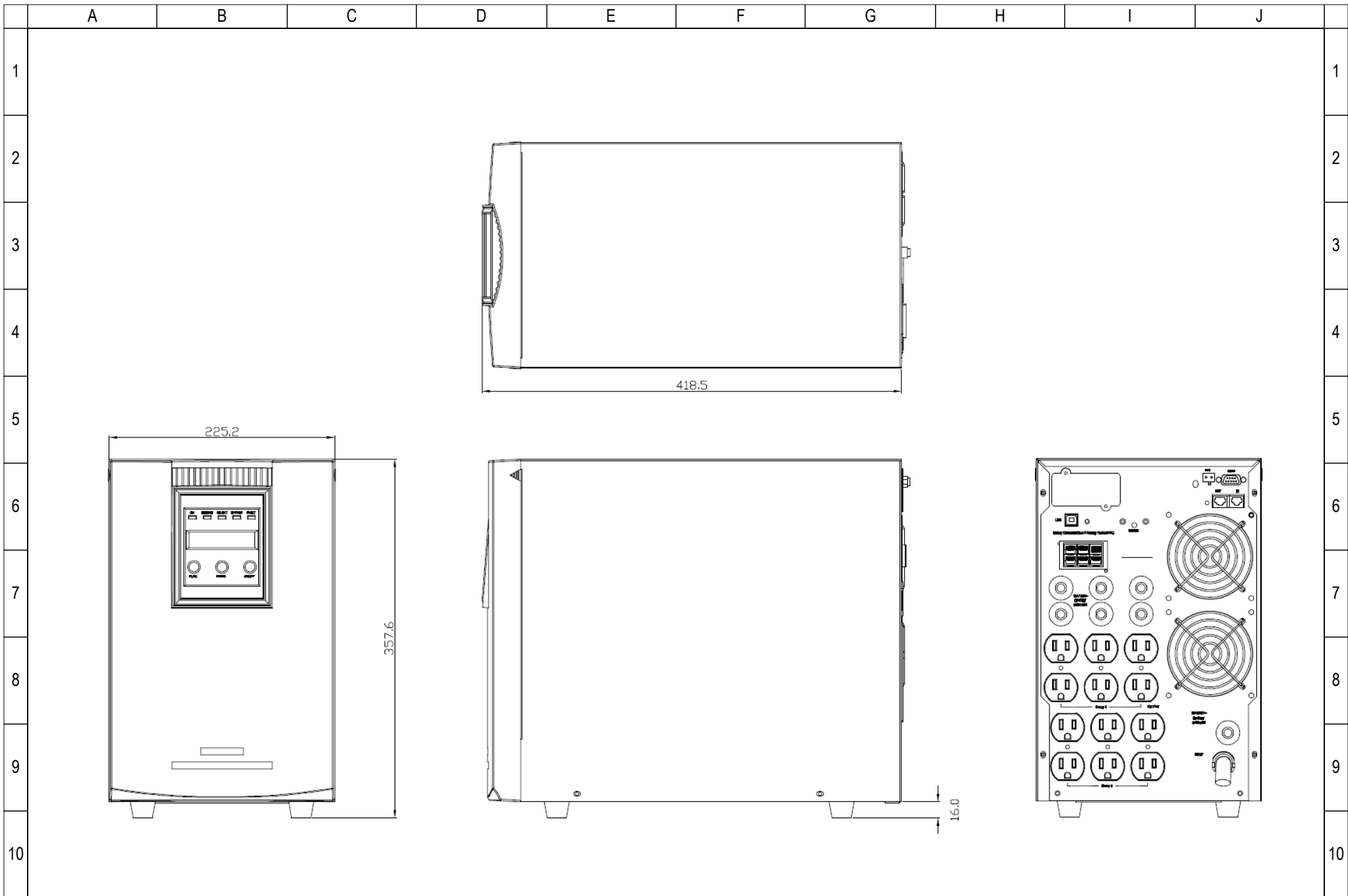
1 This drawing is for illustration purposes only and is subject to change without notice. TIC is not responsible for any errors or omissions.

Drawn by
JE
DATE 11/28/05
Approved by
GM
DATE 11/28/05

TOSHIBA
INTERNATIONAL CORPORATION
Houston Texas, USA

THIS MATERIAL IS THE EXCLUSIVE PROPERTY OF
TOSHIBA INTERNATIONAL CORPORATION AND SHALL NOT
BE REPRODUCED, USED, OR DISCLOSED TO OTHERS
UNLESS PRIOR WRITTEN AUTHORIZATION IS OBTAINED.

TITLE	
1000 Series 3.0 KVA Model 120V Input 120V Output	
DRAWING NO.	REV.
UT1A1A030C6	2.0



NOTES

1) This drawing is for illustration purposes only and is subject to change without notice. TIC is not responsible for any errors or omissions.

Drawn by
ER
DATE 04/16/12
Approved by
TT
DATE 04/16/12

TOSHIBA
INTERNATIONAL CORPORATION
Houston Texas, USA
THIS MATERIAL IS THE EXCLUSIVE PROPERTY OF
TOSHIBA INTERNATIONAL CORPORATION AND SHALL NOT
BE REPRODUCED, USED, OR DISCLOSED TO OTHERS
UNLESS PRIOR WRITTEN AUTHORIZATION IS OBTAINED.

TITLE
1000 Series Tower
3 kVA Model 120V Input
120V Output

DRAWING NO.
UT1A1A030C6

REV.
1.0