



# Submersible Pump

## Model S6E1-E60

### Size 6"



#### PUMP SPECIFICATIONS

**Diffuser:** G-R Hard Iron;  
Maximum Operating Pressure 111 psi (765 kPa).\*

**Impeller:** G-R Hard Iron.

**Suction Head:** Gray Iron 30.

**Seal Plate:** G-R Hard Iron.

**Motor Housing:** Aluminum Alloy 356-T6.

**Wear Ring:** Copper Alloy 83600.

**Motor Shaft:** Stainless Steel 17-4PH.

**Bearings:** Upper - Two Synthetic Seals, Single Row Ball Bearing.  
Lower - Two Shields, Double Row Ball Bearing.

**Discharge Flange:** Gray Iron 30.

**Gaskets:** Cork with Nitrile Binder (NC710).

**O-Rings:** Buna-N.

**Wetted Hardware:** Standard Plated Steel and Stainless Steel.

**Strainer:** Urethane Coated Steel; 48% Open Area,  
0.50" (12.7 mm) Diameter Openings.

**Base Plate:** Aluminum Alloy 356-T6.

**Hoisting Bail:** Urethane Coated Steel.

#### Standard Equipment

**NEMA Type 3R Rainproof Control Box.** (See Section 130, Page 95.)

Provides On-Off, Circuit Breaker and Motor Overload Protection.

#### Staging Adapter.

#### Optional Equipment

**Liquid Level Control:** (See Sec. 130, Page 150.)

- Turtle Type Pressure Activated Level Switch.
- Float Activated Level Switch.

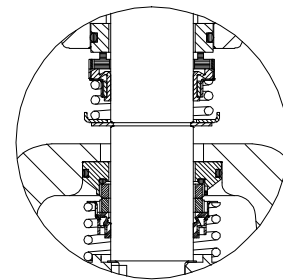
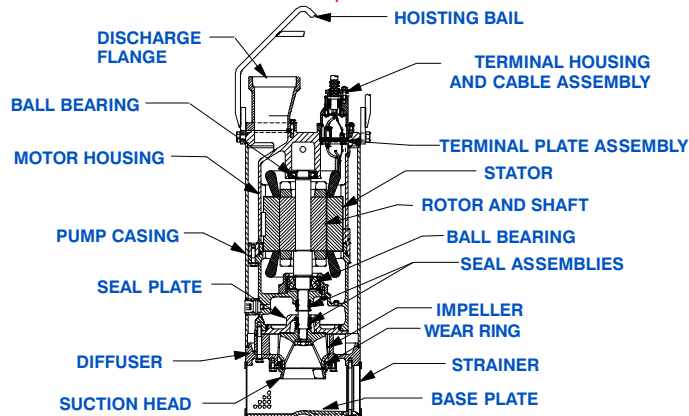
#### MOTOR/CABLE SPECIFICATIONS

**Motor:** Air Filled Enclosure with Thermal Overload Protection; 60 H.P.; 3450 R.P.M.; Three Phase: 460/575 Volt, 60 Hz, 66.0/52.8 Full Load AMPS, 48.0 kW (Max.)

**Power Cable:** 9 Wire; Type SPC; (3) 6 AWG. Power Conductors, (1) 6 AWG. Ground Conductor, (4) 14 AWG. Control Conductors and (1) 8 AWG. Ground Check. Nominal Length 50 Feet (15 m). Standard. (Specify Alternate Length at Time of Order.)

**Recommended Generator Size:** 150 kW Across-the-Line Start.  
75 kW for Reduced Voltage Starting.

\* Consult Factory for Applications Exceeding  
Maximum Pressure and/or Temperature Indicated.



#### SEAL SPECIFICATIONS

Tandem, Oil Lubricated.

**Upper Seal:** Type 21, Mechanical. Carbon Rotating Face. Ni-Resist Stationary Face. Fluorocarbon Elastomers (DuPont Viton® or Equivalent). Stainless Steel 18-8 Cage and Spring.

**Lower Seal:** Type 2, Mechanical. Silicon Carbide Rotating Face and Tungsten Titanium Carbide Stationary Face. Stainless Steel 316, Stationary Seat. Fluorocarbon Elastomers (DuPont Viton® or Equivalent). Stainless Steel 18-8 Cage and Spring.

Maximum Temperature of Liquid Pumped, 122°F (50°C).\*



## GORMAN-RUPP PUMPS

www.grpumps.com

Specifications Subject to Change Without Notice

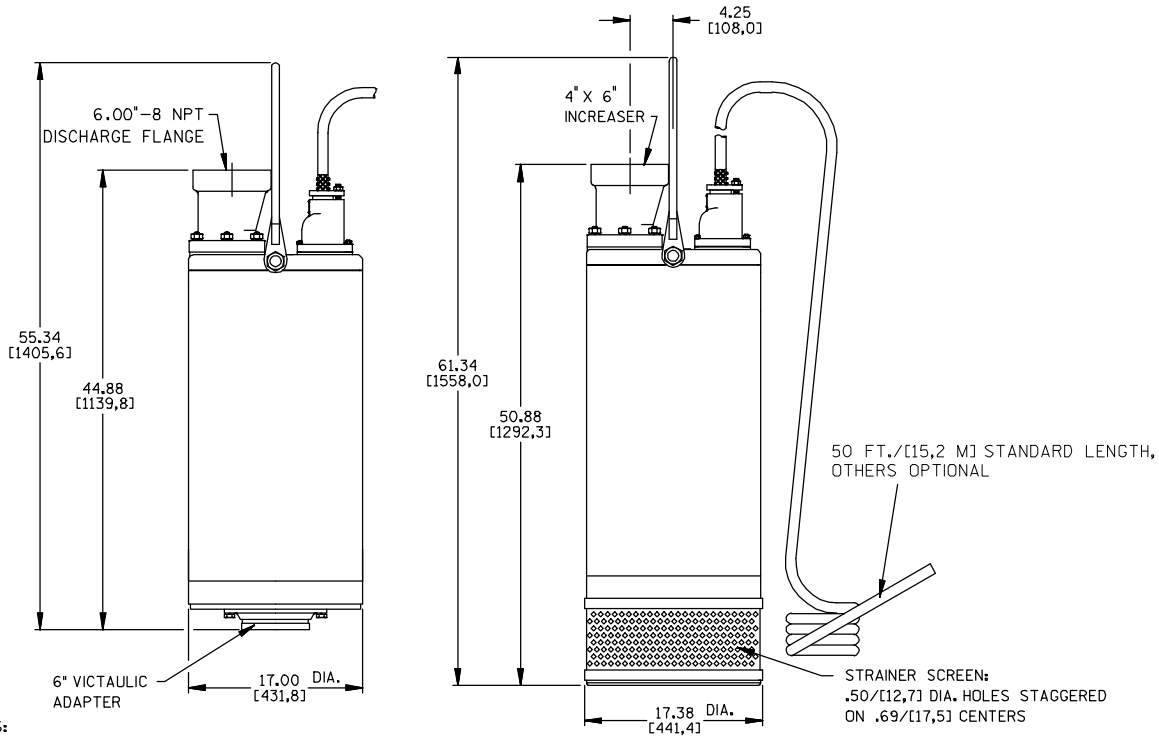
Printed in U.S.A.

**Specification Data**

**SECTION 130, PAGE 1400C**

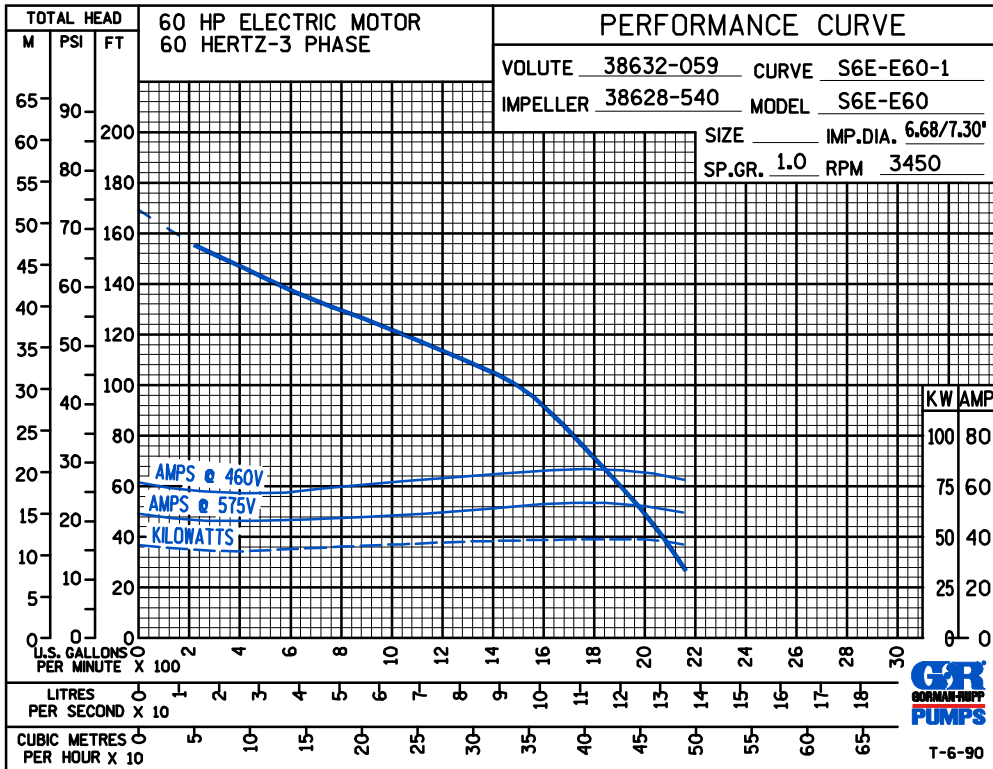
APPROXIMATE  
DIMENSIONS and WEIGHTS

**NET WEIGHT: 901 LBS. (408,7 KG.)**  
**SHIPPING WEIGHT: 1020 LBS. (462,7 KG.)**  
**EXPORT CRATE: 12.2 CU. FT. (0,35 CU. M.)**



DIMENSIONS:  
INCHES  
[MILLIMETERS]

Victaulic is a Registered Trademark of Victaulic Company of America



**GORMAN-RUPP PUMPS**

www.grpumps.com

Specifications Subject to Change Without Notice

Printed in U.S.A.